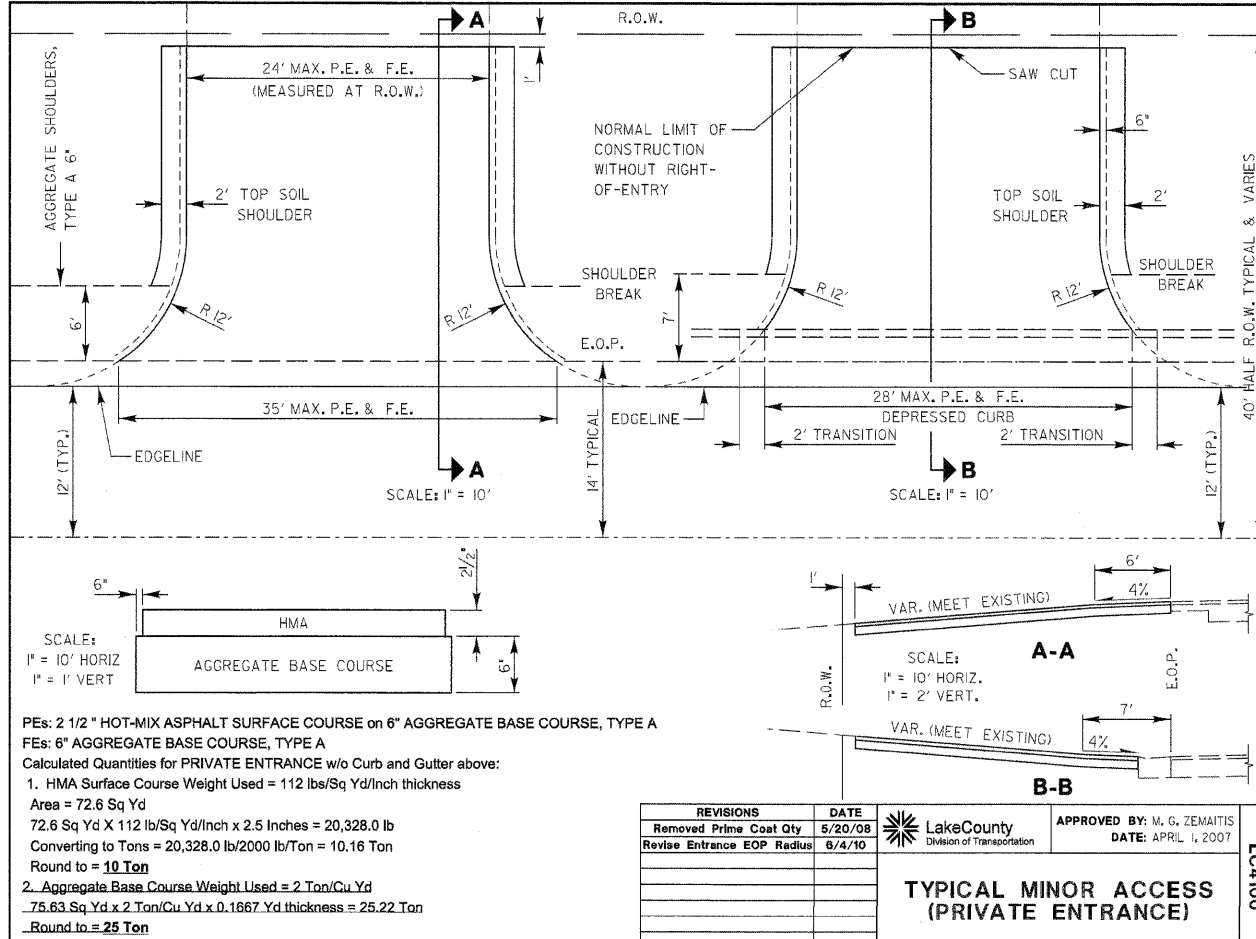
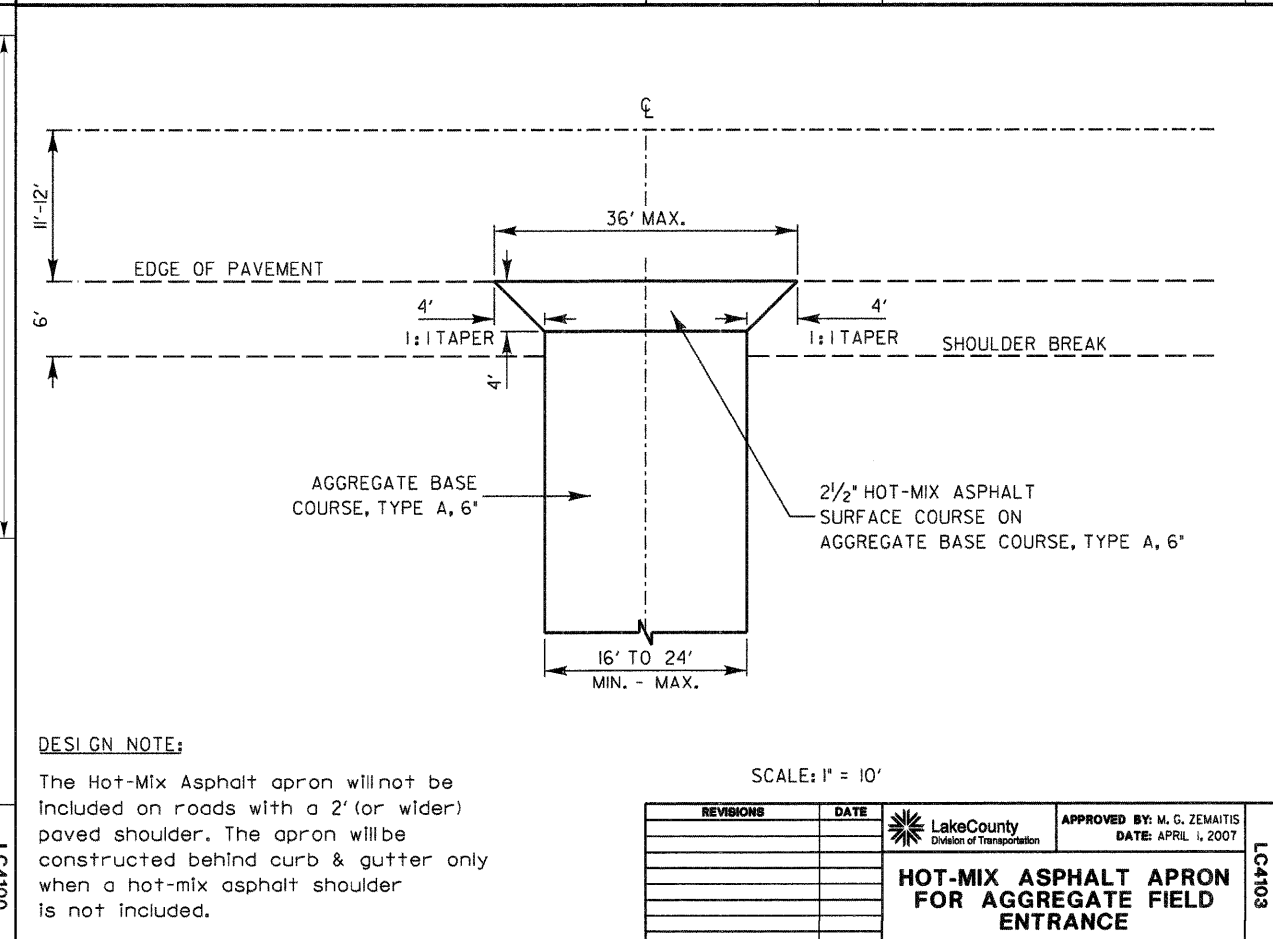
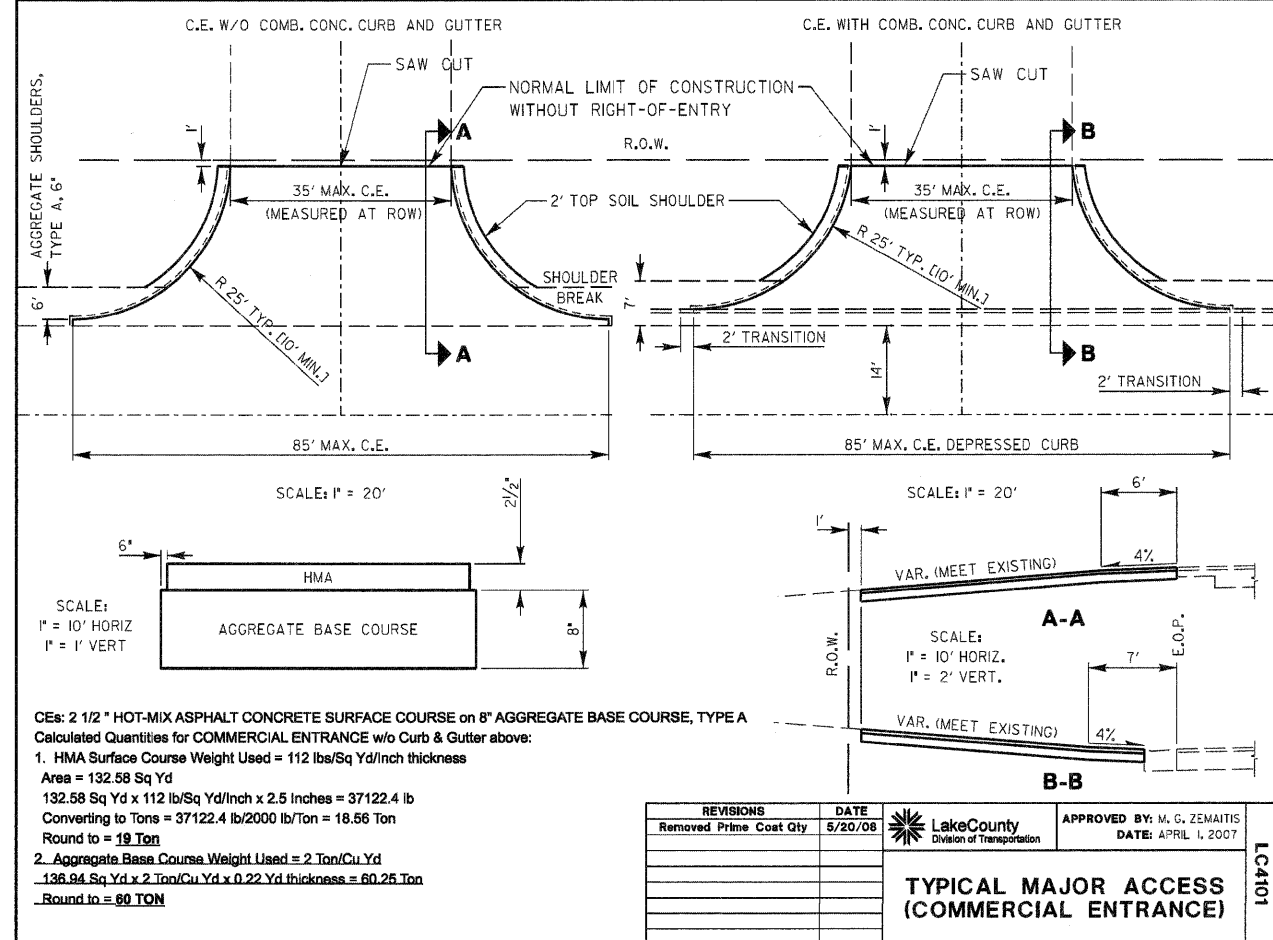


DATE	
BY	
NO.	
AREAS CHECKED	
AREAS	
DATE	
PLOTTED	
SURVEYED	
FINAL SURVEY	

DATE	
BY	
NO.	
AREAS CHECKED	
AREAS	
DATE	
PLOTTED	
SURVEYED	
ORIGINAL SURVEY	



PEs: 2 1/2" HOT-MIX ASPHALT SURFACE COURSE on 6" AGGREGATE BASE COURSE, TYPE A
 FEs: 6" AGGREGATE BASE COURSE, TYPE A
 Calculated Quantities for PRIVATE ENTRANCE w/o Curb and Gutter above:
 1. HMA Surface Course Weight Used = 112 lbs/Sq Yd/inch thickness
 Area = 72.6 Sq Yd
 72.6 Sq Yd x 112 lb/Sq Yd/inch x 2.5 Inches = 20,328.0 lb
 Converting to Tons = 20,328.0 lb/2000 lb/Ton = 10.16 Ton
 Round to = **10 Ton**
 2. Aggregate Base Course Weight Used = 2 Ton/Cu Yd
 75.63 Sq Yd x 2 Ton/Cu Yd x 0.1667 Yd thickness = 25.22 Ton
 Round to = **25 Ton**

DESIGN NOTE:
 The Hot-Mix Asphalt apron will not be included on roads with a 2' (or wider) paved shoulder. The apron will be constructed behind curb & gutter only when a hot-mix asphalt shoulder is not included.