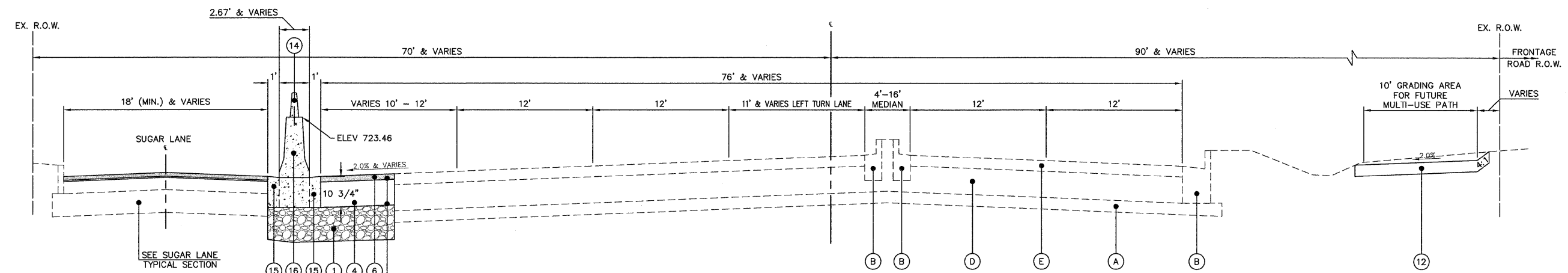


**EXISTING TYPICAL SECTION**  
IL ROUTE 47 STA 265+34 TO 266+30  
(N.T.S.)



**PROPOSED TYPICAL SECTION NO. 3**  
IL ROUTE 47 STA 265+34 TO 266+30  
(N.T.S.)

EXISTING LEGEND		PROPOSED LEGEND	
(A) EXISTING AGGREGATE BASE	(1) AGGREGATE SUBGRADE, 12"	(11) PORTLAND CEMENT CONCRETE SIDEWALK, 5"	
(B) EXISTING COMBINATION CONCRETE CURB AND GUTTER, VARIOUS TYPES	(2) COMBINATION CONCRETE CURB AND GUTTER, TYPE B-6.24	(12) TOPSOIL, 4", SEEDING, FERTILIZER AND MULCH/EROSION CONTROL BLANKET	
(C) EXISTING COMBINATION CONCRETE CURB AND GUTTER (TO BE REMOVED)	(3) COMBINATION CONCRETE CURB AND GUTTER, TYPE B-6.12	(13) TOPSOIL, 4", SODDING, FERTILIZER AND MULCH/EROSION CONTROL BLANKET	
(D) EXISTING CONCRETE PAVEMENT	(4) HOT-MIX ASPHALT BASE COURSE, 8 3/4"	(14) CONCRETE GLARE SCREEN	
(E) EXISTING HOT-MIX ASPHALT PAVEMENT	(5) HOT-MIX ASPHALT BASE COURSE, 5 1/4"	(15) CONCRETE CURB AND GUTTER (FLAG ONLY)	
(F) EXISTING PORTLAND CEMENT CONCRETE SIDEWALK	(6) POLYMERIZED HOT-MIX ASPHALT SURFACE COURSE, MIX "F", N90, 2"	(16) CONCRETE BARRIER, DOUBLE FACE, 32" HEIGHT	
(G) EARTH EXCAVATION	(7) HOT-MIX ASPHALT SURFACE COURSE, MIX "D", N50, 2"	(17) BITUMINOUS MATERIALS (PRIME COAT) AND AGGREGATE (PRIME COAT)	
(H) HOT-MIX ASPHALT SURFACE REMOVAL, VARIABLE DEPTH	(8) HOT-MIX ASPHALT SURFACE COURSE, MIX "D", N50, 1.5"	(18) COMBINATION CONCRETE CURB AND GUTTER, TYPE M-2.12	
(I) HOT-MIX ASPHALT SURFACE REMOVAL, 1/2"	(9) LEVELING BINDER (MACHINE METHOD), N50	(19) STRIP REFLECTIVE CRACK CONTROL TREATMENT	
(J) HOT-MIX ASPHALT SURFACE REMOVAL, 1 1/2"	(10) AGGREGATE BASE COURSE, TYPE B, 4"		

Plotted: February 20, 2012 @ 9:03 AM By: Kris Pung - Tab: 08 - Typ: Section - 223,34  
 COPYRIGHT © 2012 ENGINEERING ENTERPRISES, INC.

<b>Engineering Enterprises, Inc.</b> CONSULTING ENGINEERS 52 Wheeler Road Sugar Grove, Illinois 60554 630.466.6700 / www.eeiweb.com	USER NAME =	DESIGNED -	REVISED -	<b>STATE OF ILLINOIS</b> <b>DEPARTMENT OF TRANSPORTATION</b>	<b>IL ROUTE 47 - TYPICAL SECTION</b>	F.A.P. RTE.	SECTION	COUNTY	TOTAL SHEETS	SHEET NO.
	PLOT SCALE =	DRAWN -	REVISED -			326	10-0023-00-ES	KANE	70	8
PLOT DATE =	CHECKED -	REVISED -		SCALE: 1"=5'		SHEET NO. 3 OF 6 SHEETS		STA. N/A TO STA. N/A		CONTRACT NO. 63700
	DATE -	REVISED -		FED. ROAD DIST. NO. 1 ILLINOIS FED. AID PROJECT NO. M-9003(717)						

Path: H:\SOSK\PROJ\1002\DWG\DWG\_FINAL\_ENG\SS1002-CVR