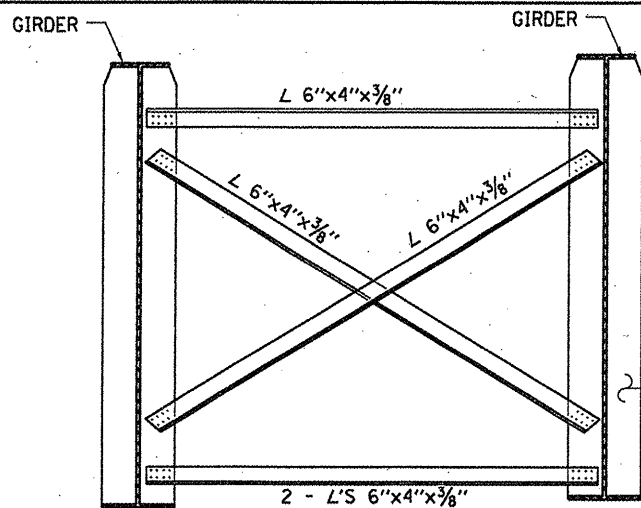
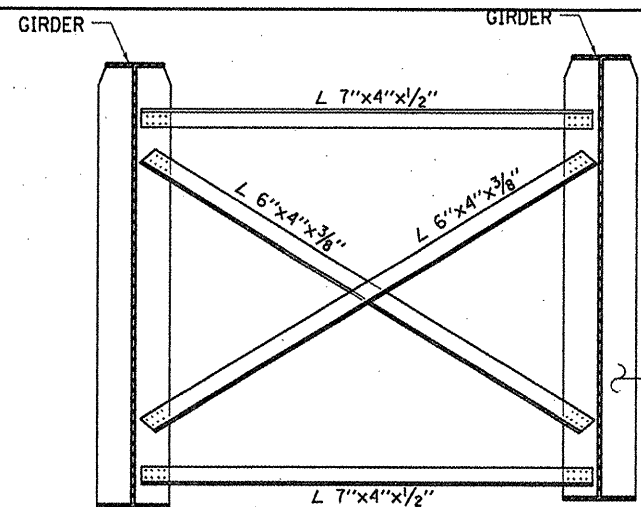


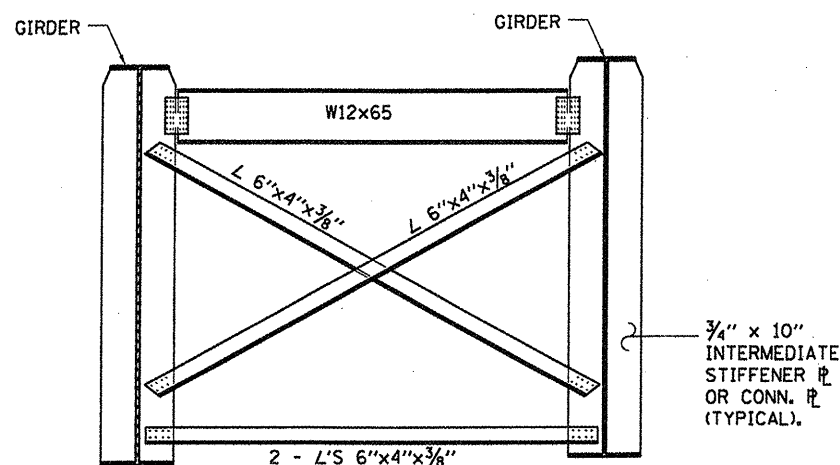
CROSSFRAME CF1 & CF2A



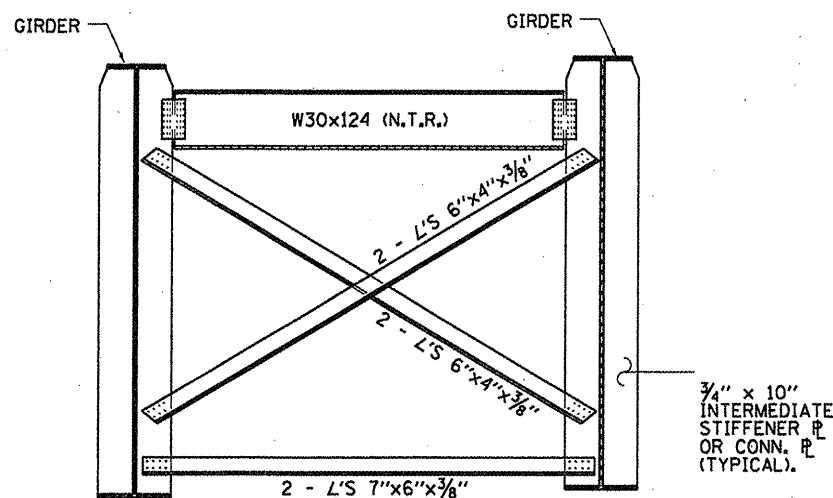
CROSSFRAME CF6 & CF6A
CF5 SIMILIAR TO CF6



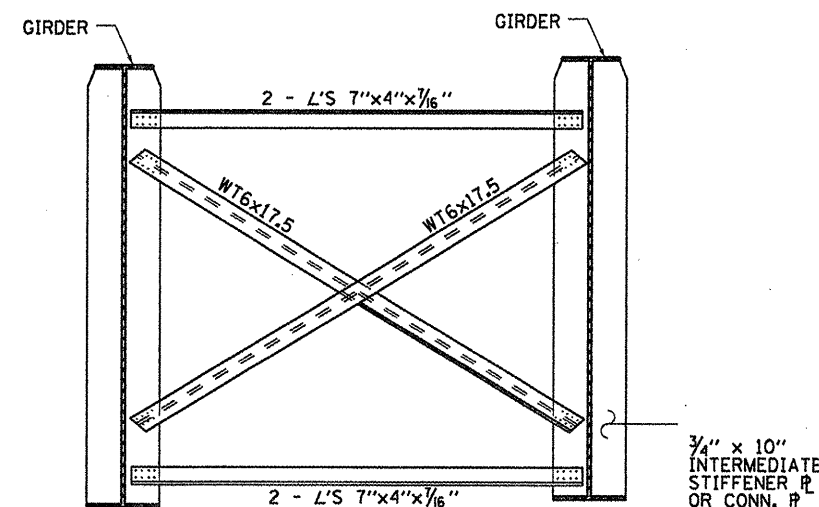
CROSSFRAME CF10 & CF11



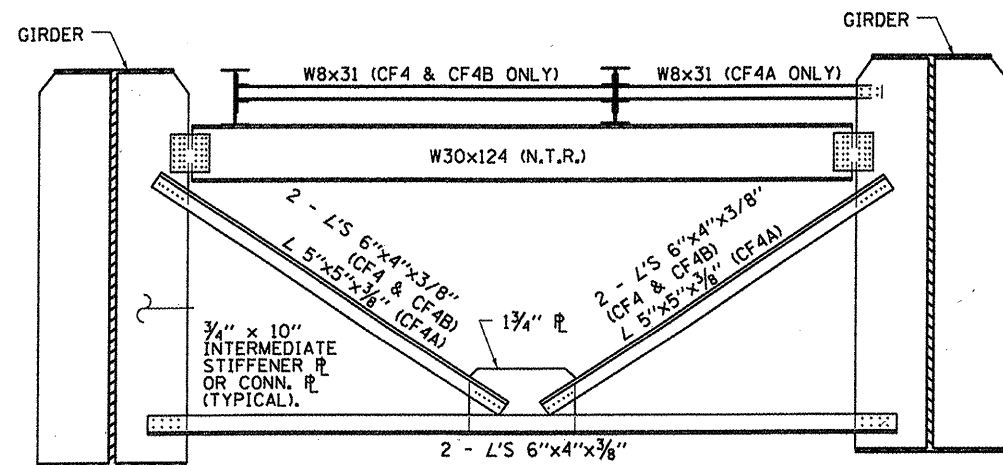
CROSSFRAME CF2 & CF3



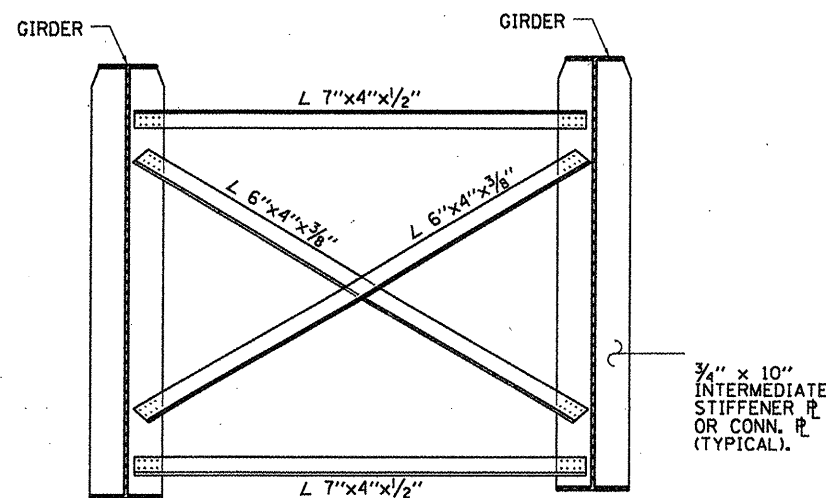
CROSSFRAME CF7 & CF8



CROSSFRAME CF12 & CF13



CROSSFRAME CF4 & CF4B
CF4A SIMILIAR



CROSSFRAME CF8 & CF9

STEEL FRAMING - CROSS FRAMES
SN 050-0180
FAP ROUTE 68 (IL 23)
OVER ILLINOIS RIVER
SECTION (1ZR)-2
LASALLE COUNTY

FILE NAME =	USER NAME = woodshenkr1	DESIGNED -	REVISED -
ca:\pwwork\pwwork\woodshenkr1\d0260492	0366833-sht-details.DGN	DRAWN -	REVISED -
	PLOT SCALE = 1/8" = 1'-0"	CHECKED -	REVISED -
	PLOT DATE = 11/2/2011	DATE -	REVISED -

STATE OF ILLINOIS
DEPARTMENT OF TRANSPORTATION

STEEL FRAMING DETAILS
FOR SN 050-0180

F.A.P. RTE. 68	SECTION (1ZR)-3	COUNTY LASALLE	TOTAL SHEETS 13	SHEET NO. 7
SCALE: _____			CONTRACT NO. 66B33	
SHEET NO. 3 OF 9 SHEETS			ILLINOIS FED. AID PROJECT	