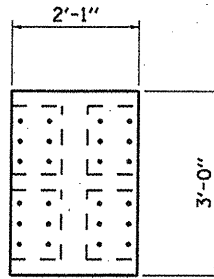
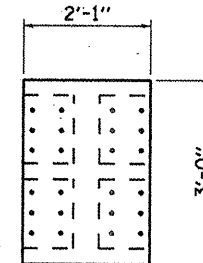


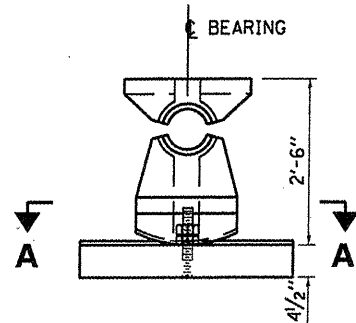
TOP PLATE



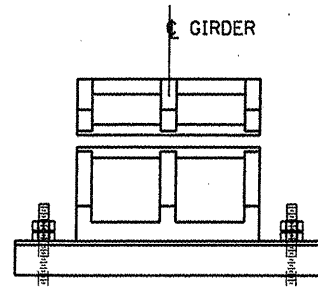
TOP PLATE



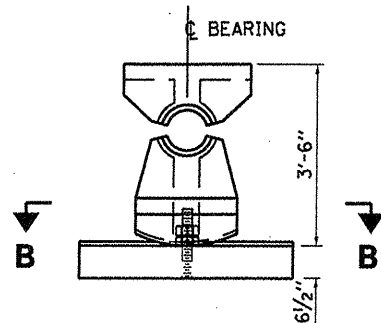
TOP PLATE



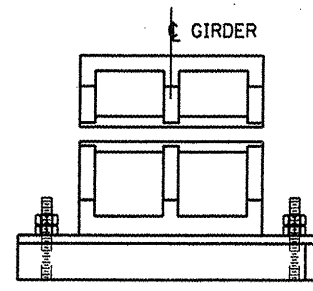
ELEVATION



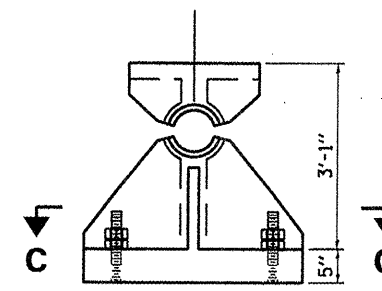
END VIEW



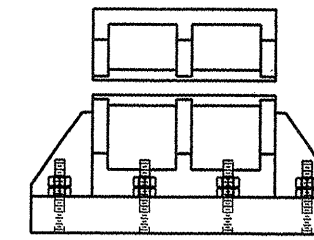
ELEVATION



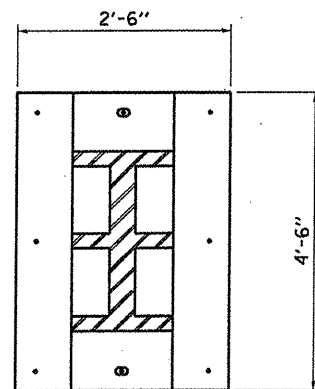
END VIEW



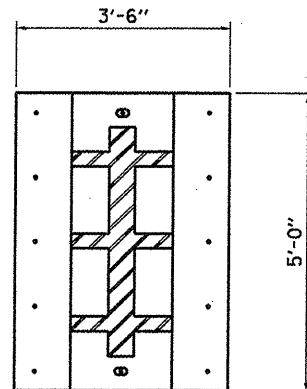
ELEVATION



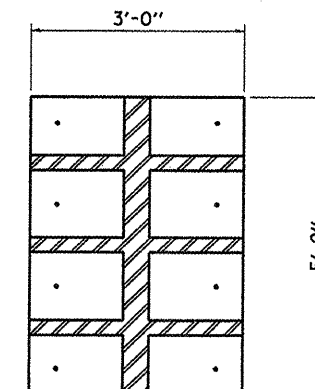
END VIEW



SECTION A-A



SECTION B-B



SECTION C-C

STEEL FRAMING - STEEL BEARINGS

SN 050-0180
 FAP ROUTE 68 (IL 23)
 OVER ILLINOIS RIVER
 SECTION (12R)-2
 LASALLE COUNTY

FILE NAME =	USER NAME = woodshankr1	DESIGNED -	REVISED -
c:\pwwork\pwwork\woodshankr1\d0260492\0366933-sht-details.dgn		DRAWN -	REVISED -
		CHECKED -	REVISED -
		DATE -	REVISED -

STATE OF ILLINOIS
 DEPARTMENT OF TRANSPORTATION

STEEL BEARING DETAILS
FOR SN 050-0180

F.A.P. RTE.	SECTION	COUNTY	TOTAL SHEETS	SHEET NO.
68	(12R)-3	LASALLE	13	8
			CONTRACT NO. 66B33	
ILLINOIS FED. AID PROJECT				