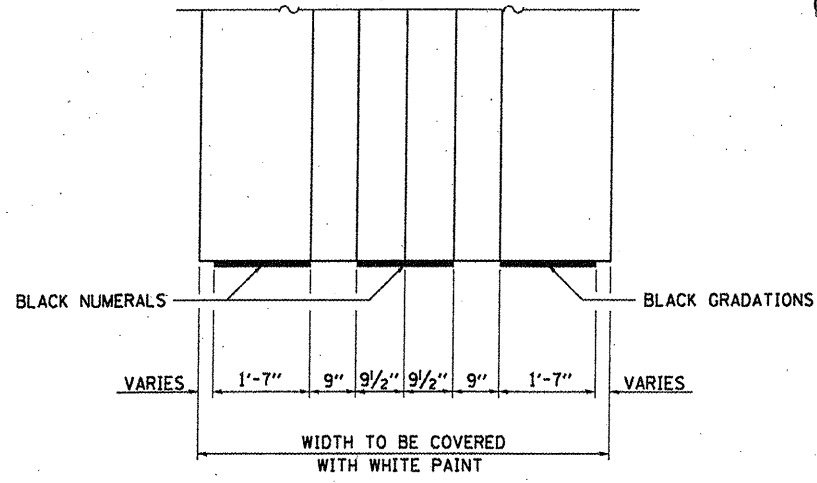
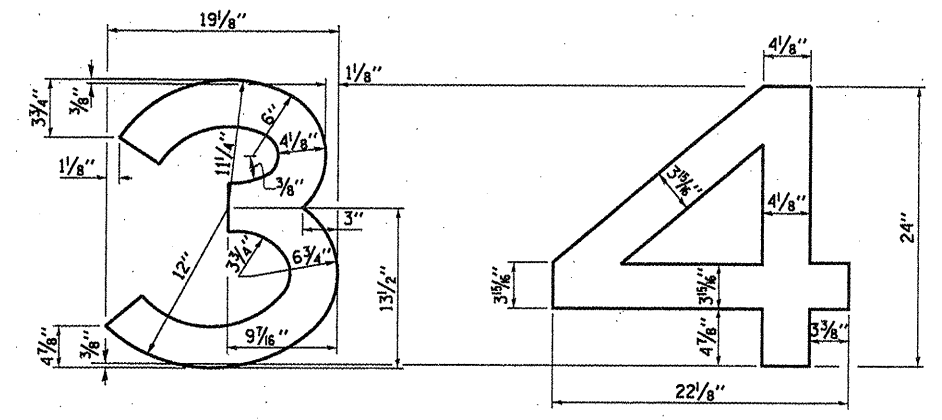


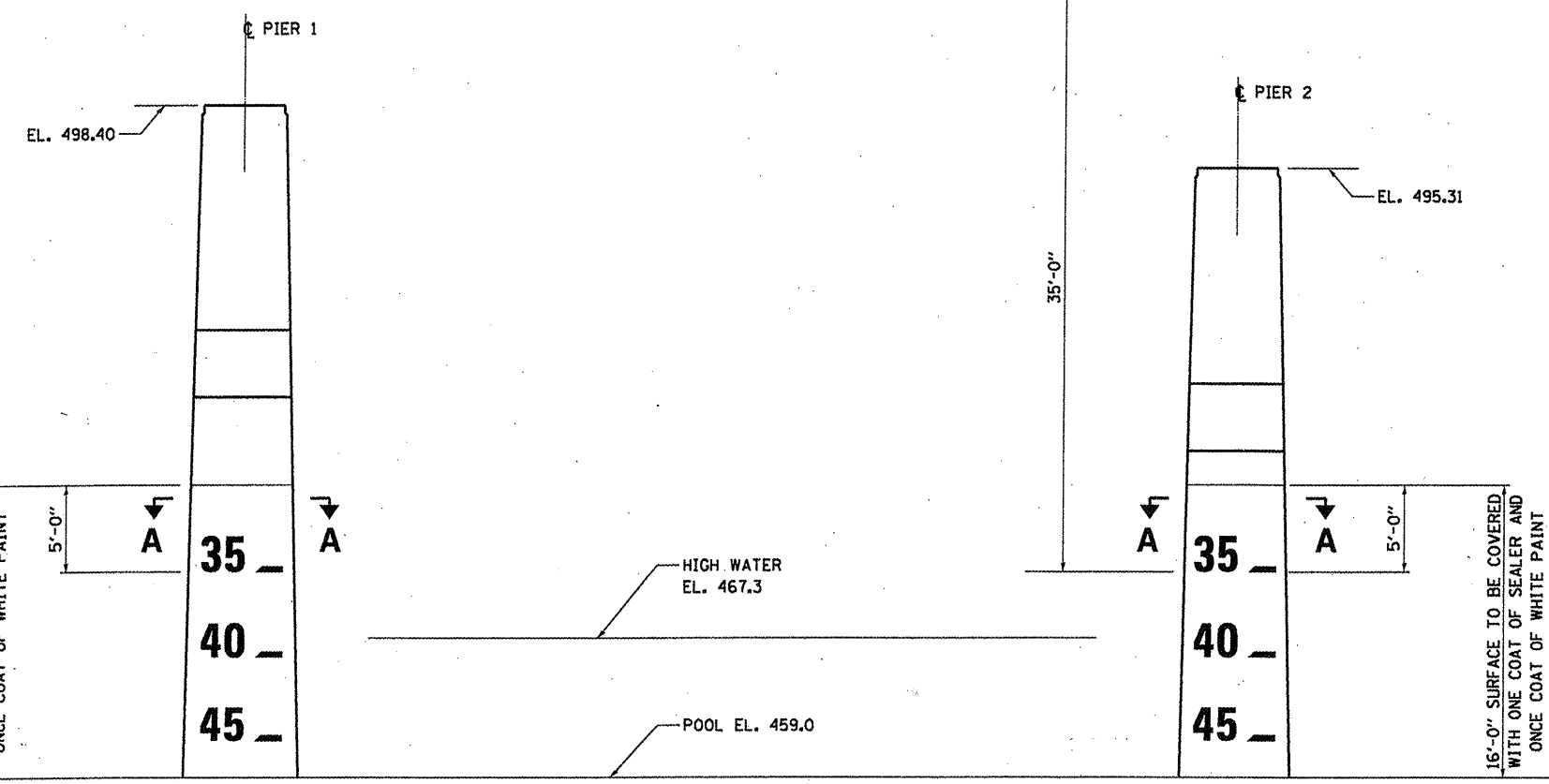
**EAST ELEVATION**



**SECTION A-A**



**NUMERALS FOR PIERS**



**WEST ELEVATION PIER 1**

**EAST ELEVATION PIER 2**

**CLEARANCE GAUGES**  
 SN 050-0180  
 FAP ROUTE 68 (IL 23)  
 OVER ILLINOIS RIVER  
 SECTION (12R)I-3  
 LASALLE COUNTY  
 STA. 805+45.00

FILE NAME =	USER NAME = woodshankr1	DESIGNED - YOGESH PATEL	REVISED -
c:\pwworkspace\woodshankr1\d8268492	366833-sht-details.dgn	DRAWN - YOGESH PATEL	REVISED -
	PLOT SCALE = 100.0000' / 1"	CHECKED - RON WOODSHANK	REVISED -
	PLOT DATE = 11/2/2011	DATE -	REVISED -

STATE OF ILLINOIS  
 DEPARTMENT OF TRANSPORTATION

**CLEARANCE GAUGES**  
**FOR SN 050-0180**  
 SCALE: \_\_\_\_\_ SHEET NO. 9 OF 9 SHEETS STA. \_\_\_\_\_ TO STA. \_\_\_\_\_

F.A.P. RTE.	SECTION	COUNTY	TOTAL SHEETS	SHEET NO.
68	(12R)I-3	LASALLE	13	13
CONTRACT NO. 66B33			ILLINOIS FED. AID PROJECT	