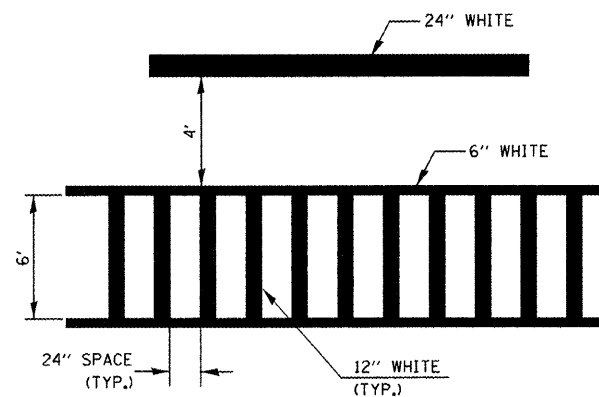
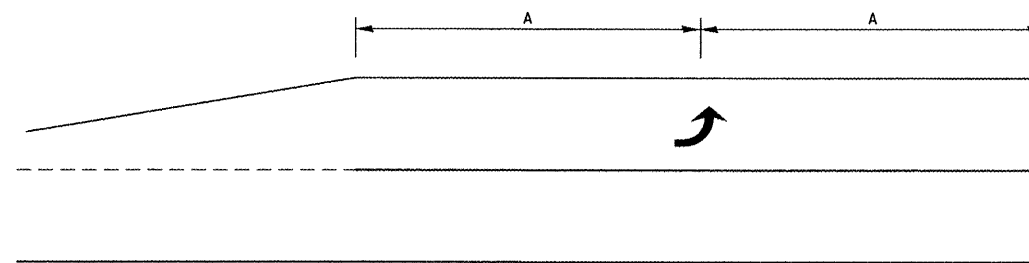


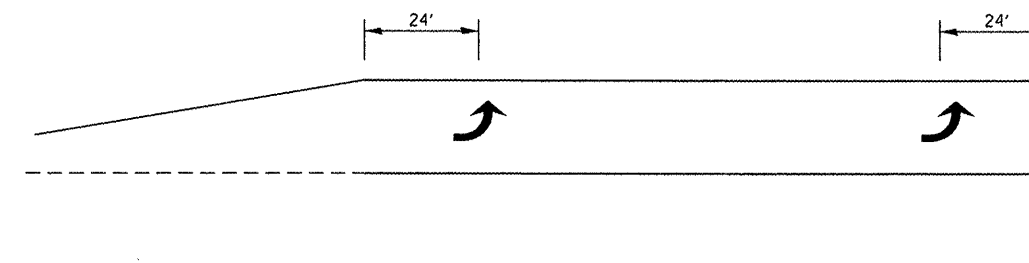
**TYPICAL SPACING DETAIL FOR  
CROSSWALKS AND STOP BARS**



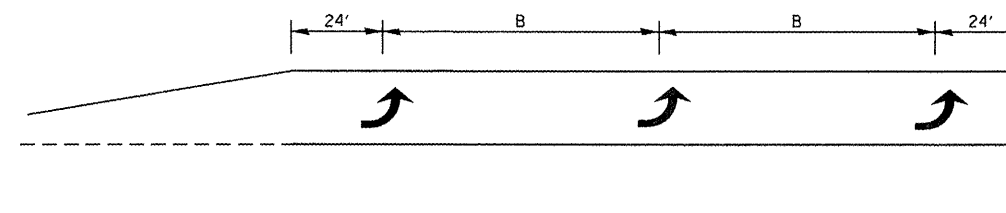
**TYPICAL SPACING DETAIL FOR  
CROSSWALKS AND STOP BARS**



**99' AND UNDER**



**100' TO 149'**



**150' AND LONGER**

**TYPICAL PLACEMENT OF ARROWS  
IN TURN LANES**

FILE NAME =	USER NAME = duncenbd	DESIGNED -	REVISED -
c:\pwwork\pwwork\duncenbd\020510\0366882-shr-DETAILS.dgn		DRAWN -	REVISED -
	PLOT SCALE = 100.0000' / in.	CHECKED -	REVISED -
	PLOT DATE = 3/23/2012	DATE -	REVISED -

STATE OF ILLINOIS  
DEPARTMENT OF TRANSPORTATION

DETAILS

SCALE: SHEET NO. 4 OF 6 SHEETS STA. TO STA.

F.A.P. RTE.	SECTION	COUNTY	TOTAL SHEETS	SHEET NO.
653	7RS-3 & 8RS-4	LASALLE	23	21
CONTRACT NO. 66B82				
ILLINOIS FED. AID PROJECT				