

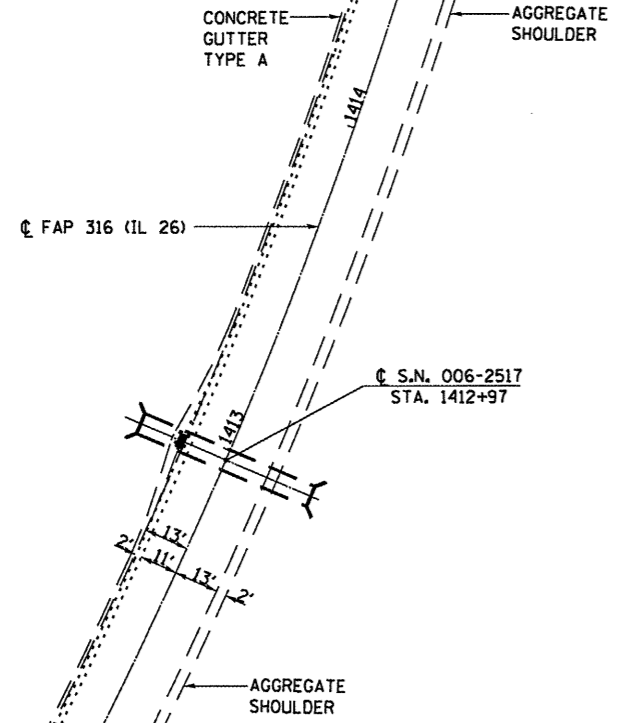
LEE COUNTY

BUREAU COUNTY



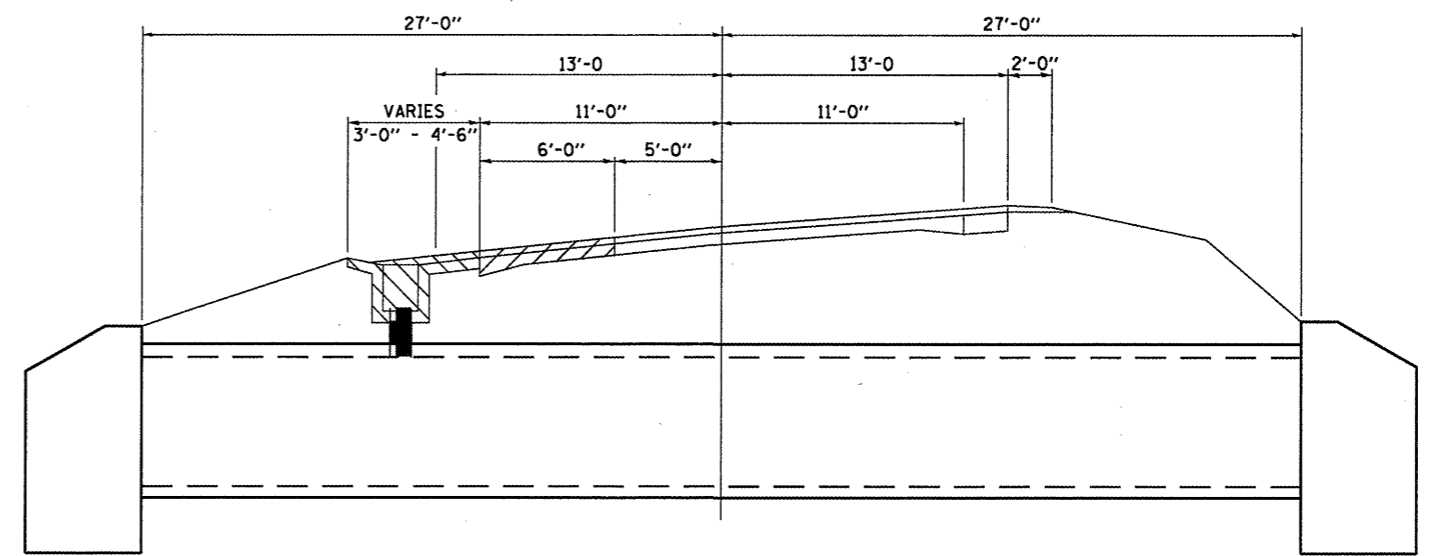
CL BASE LINE RD.  
(CR 3000)  
STA. 1416+22

BASE LINE RD. (CR 3000)

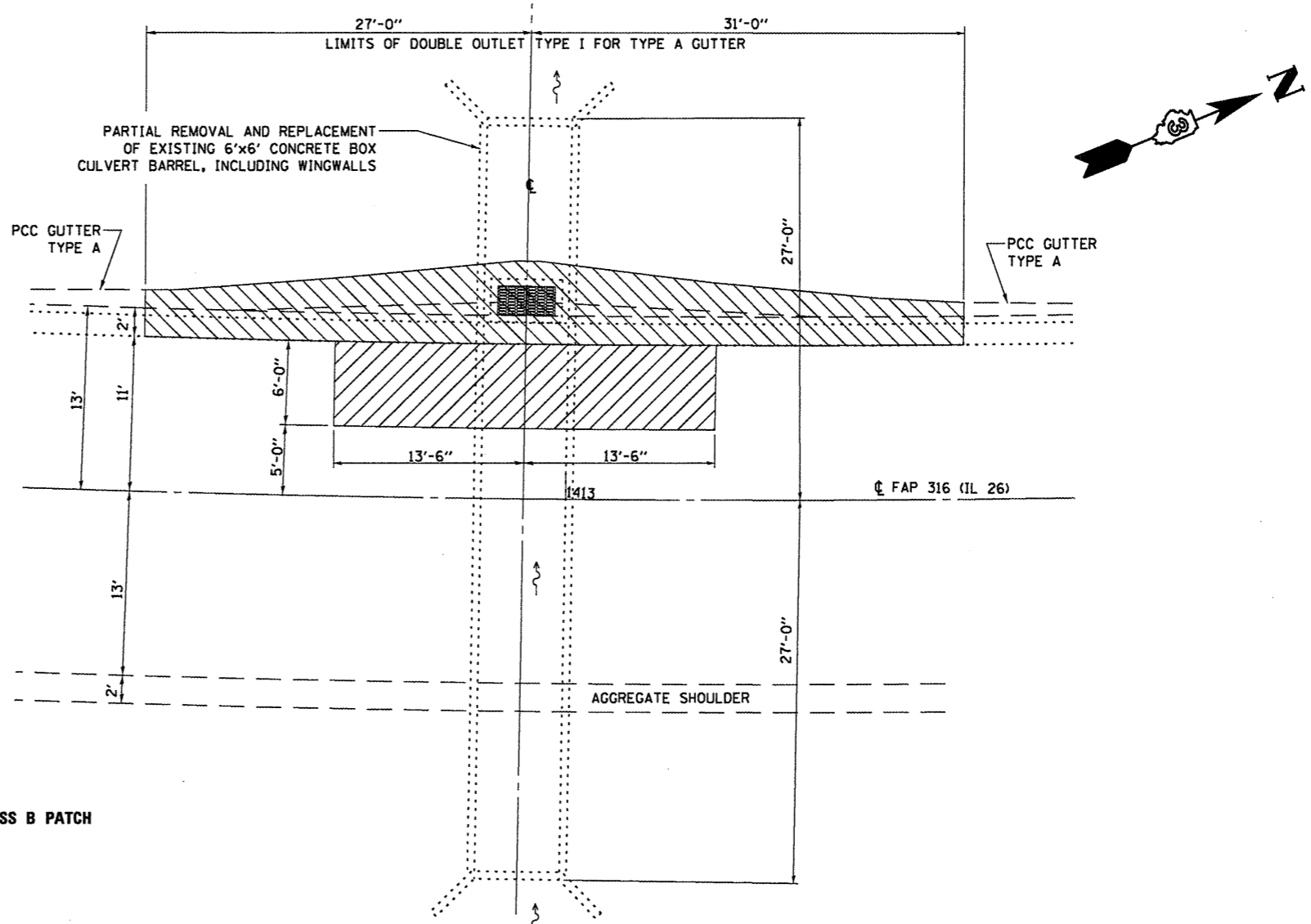


**PLAN**

- PAVEMENT REMOVAL FOR CLASS B PATCH
- GUTTER REMOVAL (SPECIAL)



**ELEVATION**



**PLAN**

FILE NAME =  
c:\pwork\pwidot\carpenterj\d0268140

USER NAME = carpenterj  
366843-shd-details.dgn  
PLOT SCALE = 100.0000' / 1" =  
PLOT DATE = 4/5/2012

DESIGNED - RLW  
DRAWN - RLW  
CHECKED -  
DATE -

REVISED -  
REVISED -  
REVISED -  
REVISED -

STATE OF ILLINOIS  
DEPARTMENT OF TRANSPORTATION

ROADWAY REMOVAL DETAILS

SCALE: \_\_\_\_\_ SHEET NO. 1 OF 2 SHEETS STA. \_\_\_\_\_ TO STA. \_\_\_\_\_

F.A.P. RTE. 316	SECTION (141)	COUNTY BUREAU	TOTAL SHEETS 12	SHEET NO. 7
CONTRACT NO. 66C11				
ILLINOIS FED. AID PROJECT				