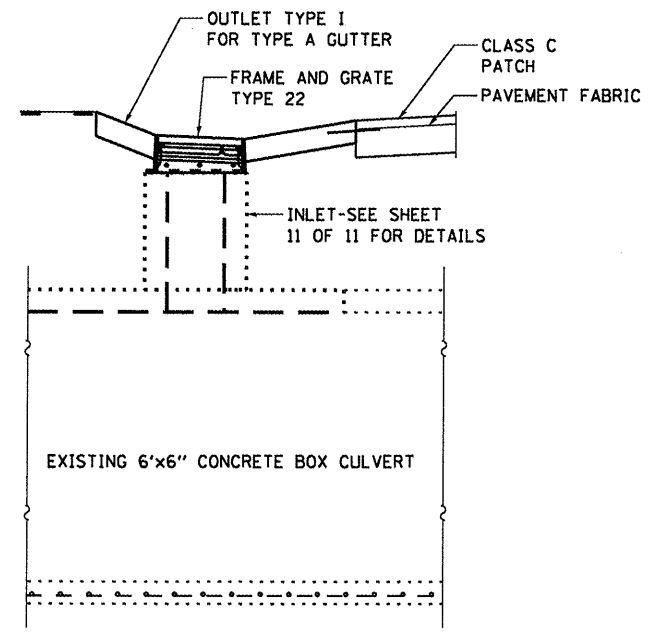
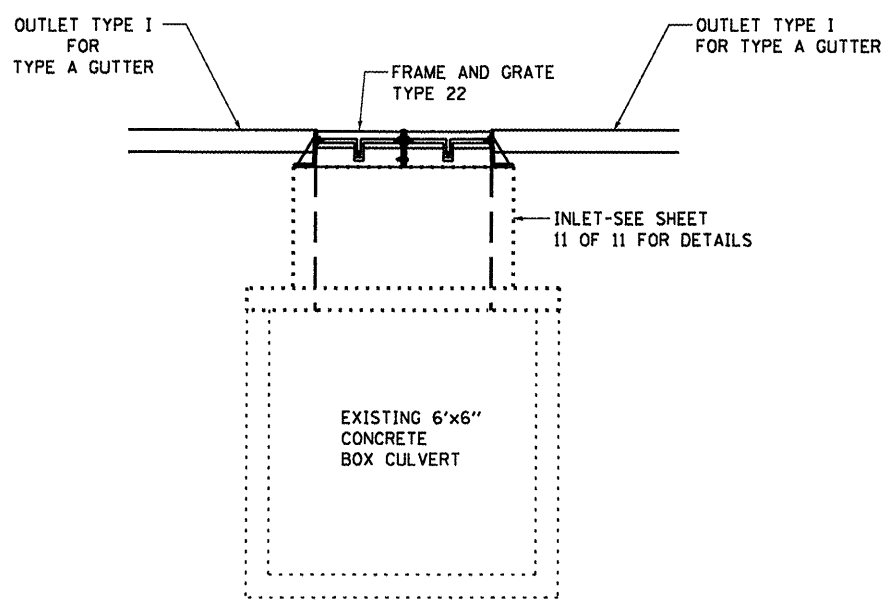


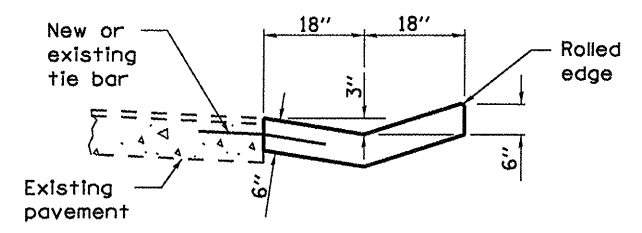
OUTLET TYPE 1 FOR TYPE A GUTTER



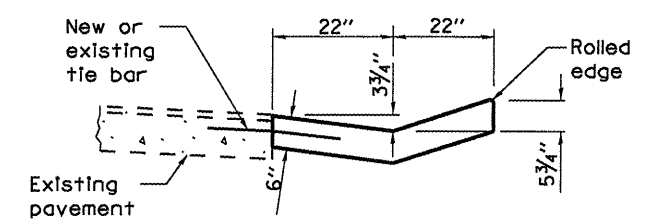
SECTION D-D



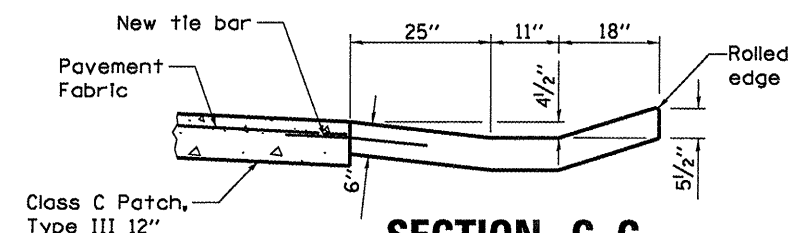
SECTION E-E



SECTION A-A



SECTION B-B



SECTION C-C

FILE NAME =	USER NAME = carpentardj	DESIGNED - RLW	REVISED -	STATE OF ILLINOIS DEPARTMENT OF TRANSPORTATION	ROADWAY CONSTRUCTION DETAILS	F.A.P. RTE. 316	SECTION (114)	COUNTY BUREAU	TOTAL SHEETS 12	SHEET NO. 8	
ct:\pv_work\pwidot\carpentardj\0268140\366B43-sht-details.dgn	DRAWN - RLW	REVISED -	SCALE: _____			SHEET NO. 2 OF 2 SHEETS	STA. _____ TO STA. _____	CONTRACT NO. 66C11		ILLINOIS FED. AID PROJECT	
PLOT SCALE = 100.0000' / 1" =	CHECKED -	REVISED -									
PLOT DATE = 4/5/2012	DATE -	REVISED -									