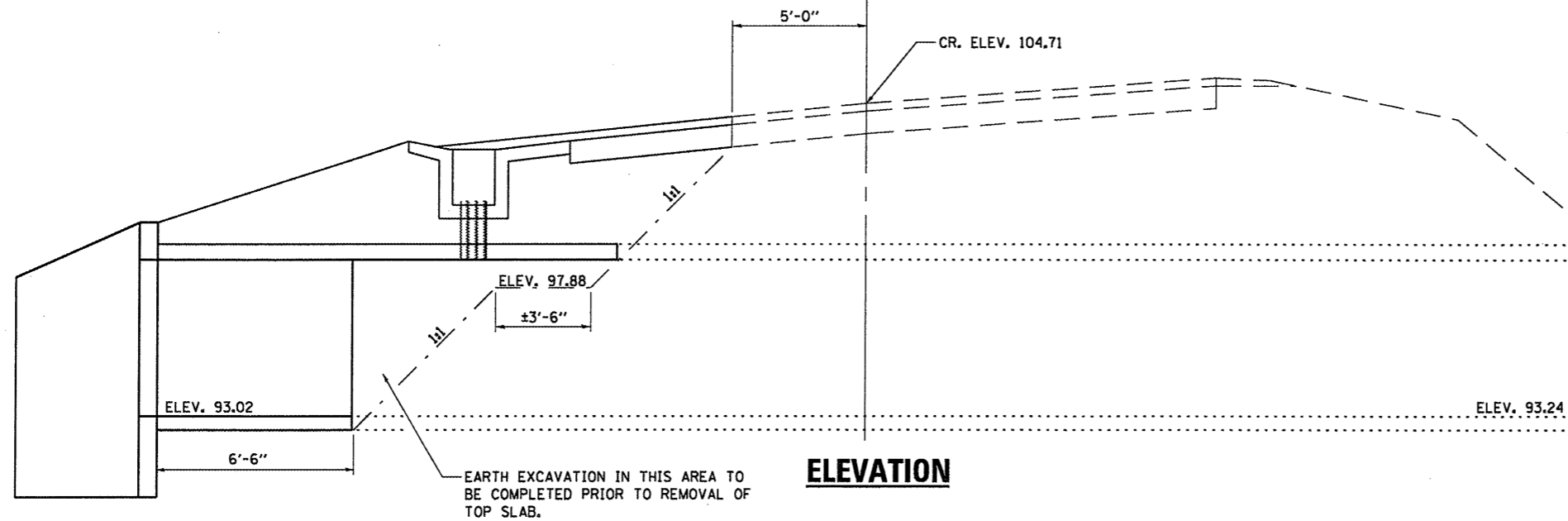


B.M. #1 EAST HEADWALL OF 6'x6" BOX CULVERT ELEV. = 100.00

FAP 316 (IL 26)

CR. ELEV. 104.71

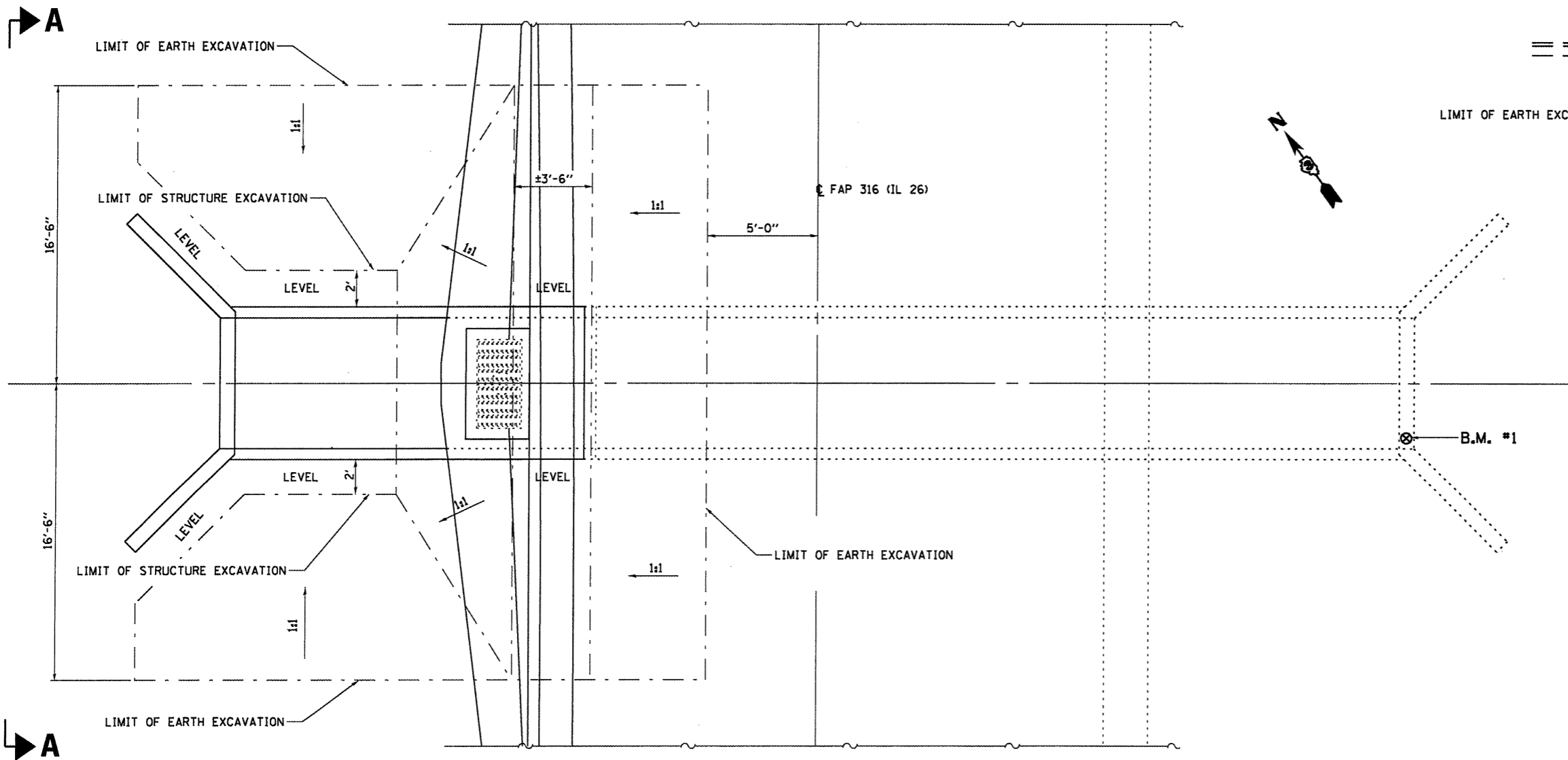


ELEVATION

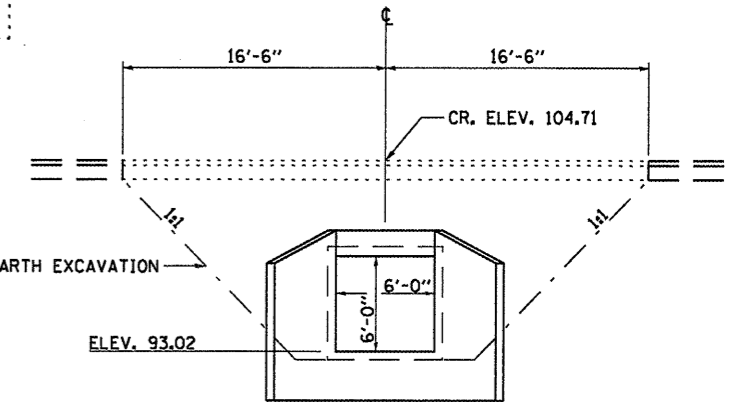
NOTES

PLAN DIMENSIONS AND DETAILS RELATIVE TO EXISTING PLANS SUBJECT TO NOMINAL CONSTRUCTION VARIATIONS. THE CONTRACTOR SHALL FIELD VERIFY EXISTING DIMENSIONS AND DETAILS AFFECTING NEW CONSTRUCTION AND MAKING NECESSARY APPROVED ADJUSTMENTS PRIOR TO CONSTRUCTION OR ORDERING MATERIALS. SUCH VARIATIONS SHALL NOT BE CAUSE FOR ADDITIONAL COMPENSATION FOR A CHANGE IN SCOPE OF WORK, HOWEVER, THE PRICE THE CONTRACTOR WILL BE PAID FOR THE QUANTITY ACTUALLY FURNISHED BASED AT THAT UNIT PRICE BID FOR THE WORK.

REINFORCEMENT BARS DESIGNATED (E) SHALL BE EPOXY COATED.



PLAN



VIEW A-A

TOTAL BILL OF MATERIAL FOR STRUCTURE NO. 006-2517

ITEM	UNIT	TOTAL
Structure Excavation	Cu. Yd.	20
Earth Excavation	Cu. Yd.	106
Concrete Removal	Cu. Yd.	8.6
Concrete Box Culverts	Cu. Yd.	9.8
Reinforcement Bars Epoxy Coated	Pound	1722
3/4" ϕ Expansion Bolts	Each	20

FILE NAME =
c:\pw_work\pwwork\carpentard\0268140\366B43-shr-details.dgn

USER NAME = carpentard
DESIGNED - RLW
DRAWN - RLW
CHECKED -
DATE -
PLOT SCALE = 1/8" = 1'-0"
PLOT DATE = 4/5/2012

REVISOR -
REVISION -
REVISION -
REVISION -

STATE OF ILLINOIS
DEPARTMENT OF TRANSPORTATION

STATE OF ILLINOIS
DEPARTMENT OF TRANSPORTATION

GENERAL PLAN AND ELEVATION FOR STRUCTURE NO. 006-2517

SCALE: SHEET NO. 1 OF 4 SHEETS STA. TO STA.

F.A.P. RTE. #	SECTION	COUNTY	TOTAL SHEETS	SHEET NO.
316	(114)I	BUREAU	12	9
CONTRACT NO. 66C11			ILLINOIS FED. AID PROJECT	