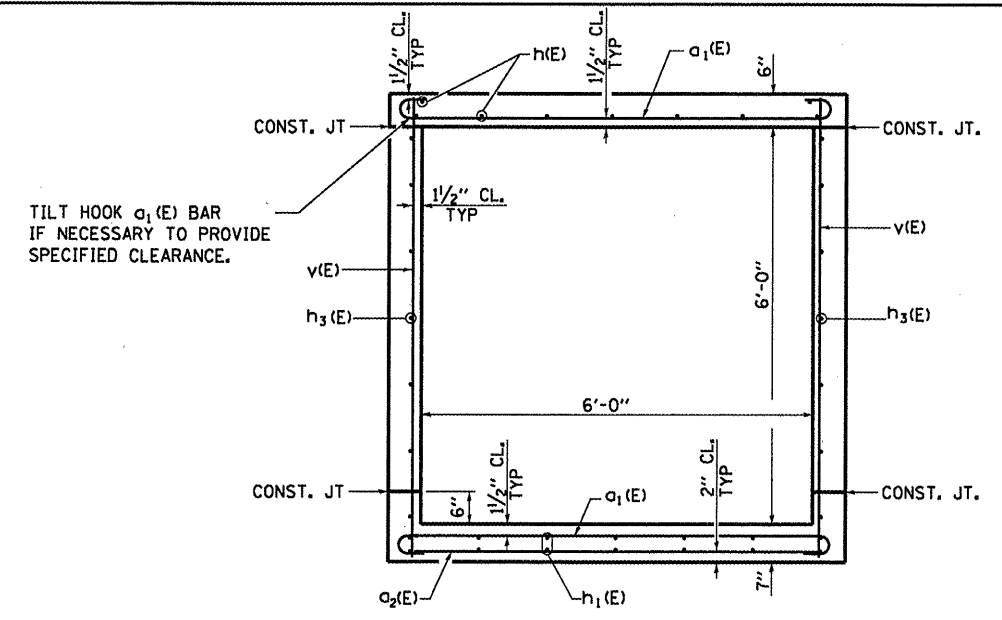
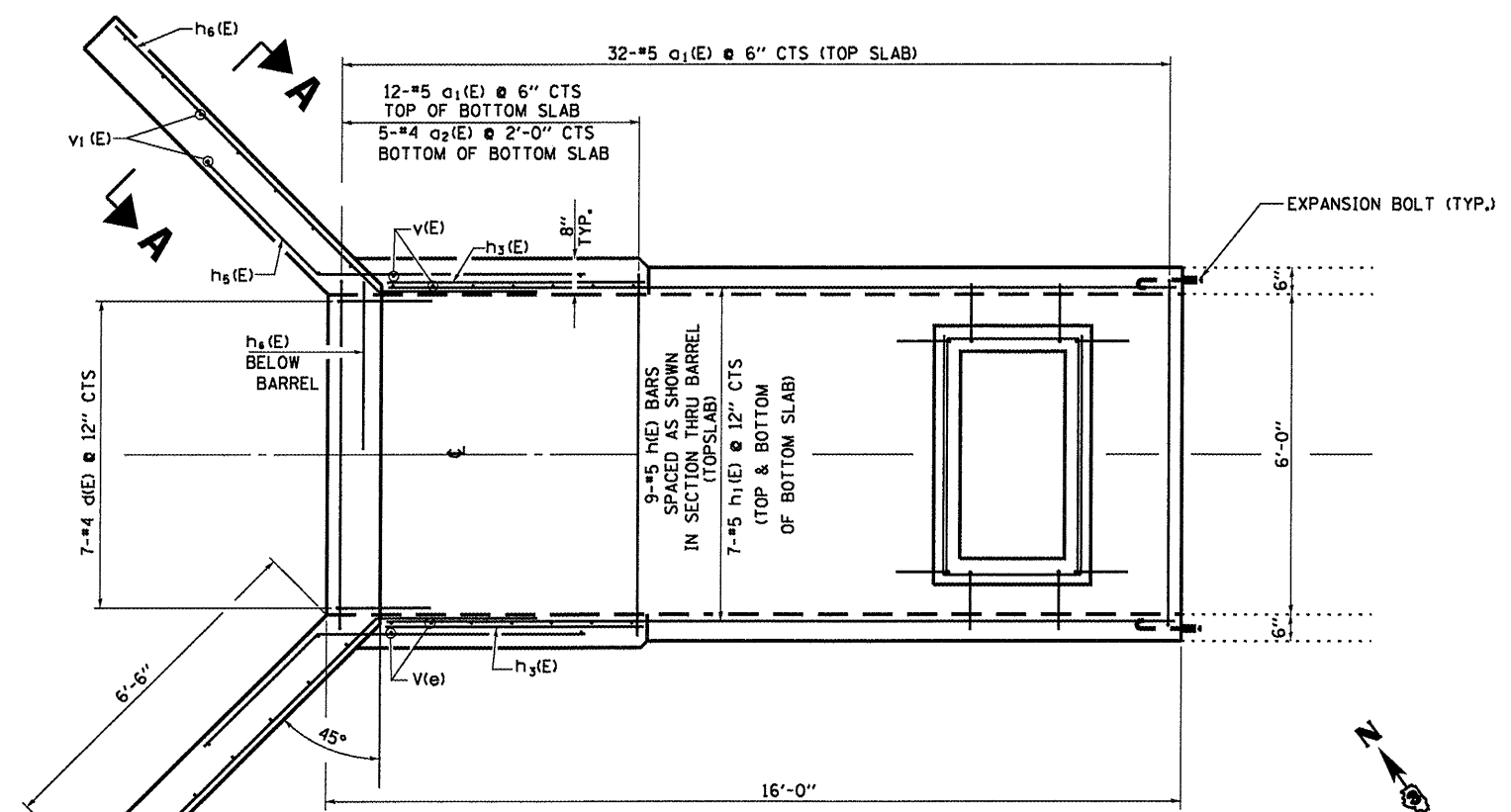


**ELEVATION**

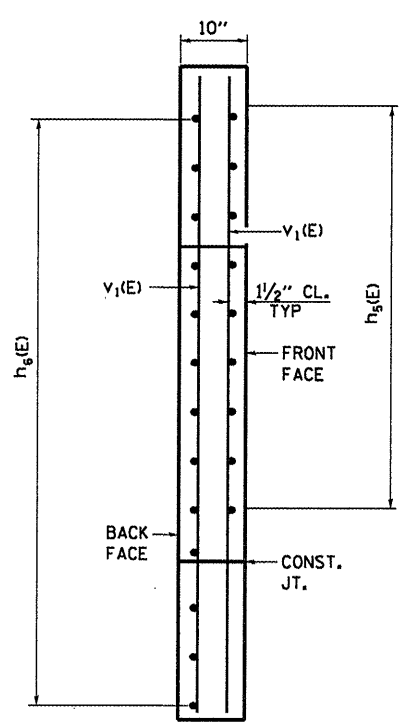


**SECTION THRU BARREL**

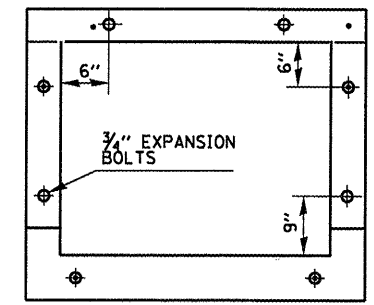


**PLAN**

NOTE: WINGWALLS, FOOTINGS, SIDEWALLS, AND BOTTOM SLAB SHALL BE POURED MONOLITHICALLY.



**SECTION A-A**



**EXPANSION BOLT LOCATION**  
SIDEWALLS 5 @ 15" CTS.  
TOP & BOTTOM 5 @ 15" CTS.

NOTE: EXPANSION BOLTS SHALL CONSIST OF SELF DRILL EXPANSION SHIELDS AND 3/4" DIAMETER HOOKED BOLTS. HOOKED BOLTS SHALL EXTEND A MINIMUM OF 9" INTO NEW CONCRETE. MINIMUM CERTIFIED PROOF LOAD = 4,080 LBS.

FILE NAME =	USER NAME = carpenterd	DESIGNED - RLW	REVISED -	<b>STATE OF ILLINOIS DEPARTMENT OF TRANSPORTATION</b>	<b>CONSTRUCTION DETAILS FOR STRUCTURE NO. 006-2517</b>	F.A.P. RTE.	SECTION	COUNTY	TOTAL SHEETS	SHEET NO.	
ca:\pwork\puidot\carpenterd\28268140	366843-sht-details.dgn	DRAWN - RLW	REVISED -			316	(114)	BUREAU	12	11	
	PLOT SCALE = 1/8" = 1'-0"	CHECKED -	REVISED -			CONTRACT NO. 66C11					
	PLOT DATE = 4/5/2012	DATE -	REVISED -			ILLINOIS FED. AID PROJECT					
					SCALE: _____	SHEET NO. 3 OF 4 SHEETS		STA. _____	TO STA. _____		