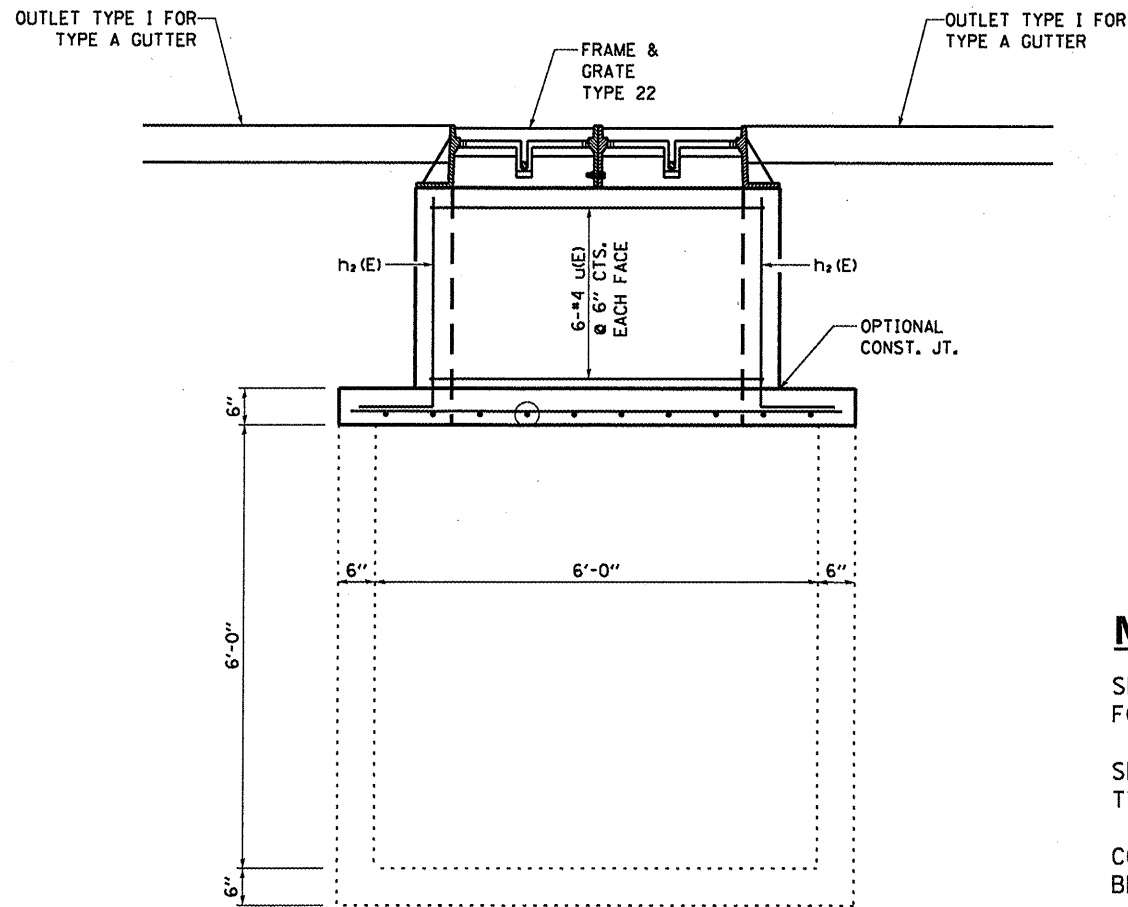


SECTION A-A



SECTION B-B

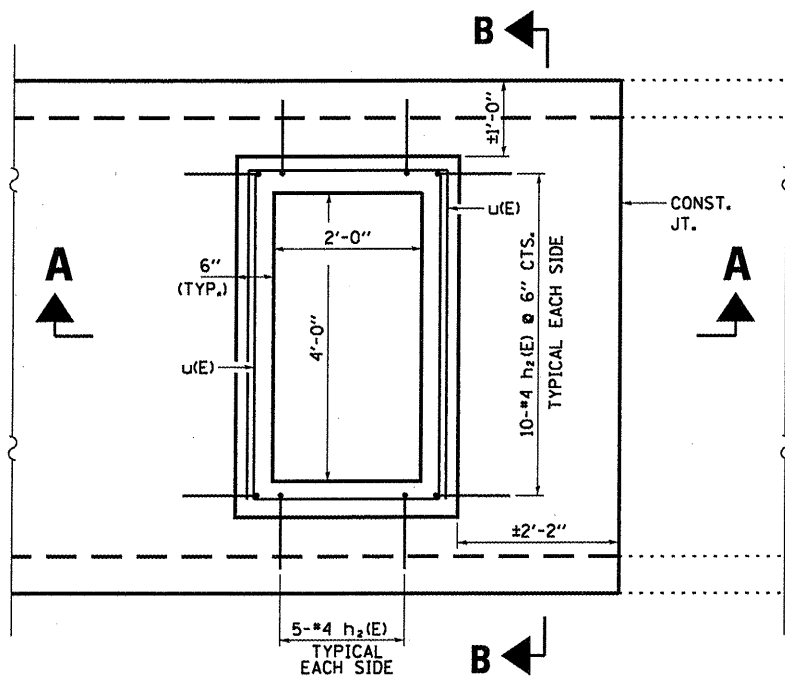
NOTES

SEE STANDARD 606106 FOR OUTLET TYPE I FOR TYPE A GUTTER DETAILS

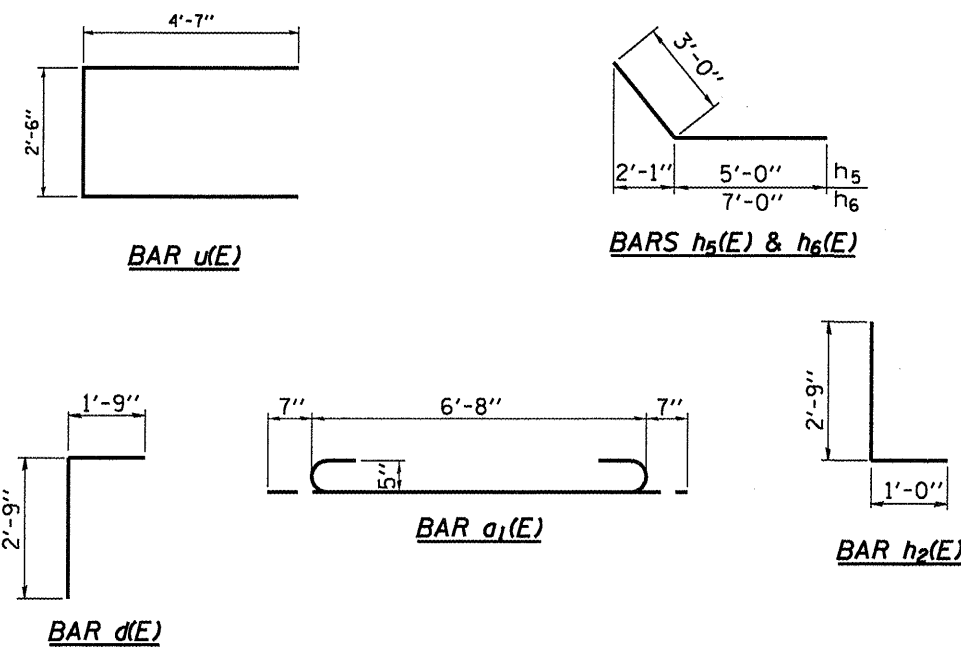
SEE STANDARD 604081 FOR FRAME AND GRATE TYPE 22 DETAILS

CONCRETE FOR INLET CONSTRUCTION SHALL BE PAID FOR AS CONCRETE BOX CULVERTS.

REINFORCEMENT BARS FOR INLET CONSTRUCTION SHALL BE PAID FOR AS REINFORCEMENT BARS, EPOXY COATED.



PLAN



BILL OF MATERIAL

BAR	NO.	SIZE	LENGTH	SHAPE
a1(E)	44	#5	7'-10"	U
a2(E)	4	#4	6'-8"	U
d(E)	7	#4	4'-6"	L
h(E)	9	#5	14'-9"	U
h1(E)	14	#4	6'-2"	U
h2(E)	30	#4	3'-9"	U
h3(E)	14	#5	6'-2"	U
h4(E)	4	#6	6'-8"	U
h5(E)	18	#6	8'-0"	U
h6(E)	26	#6	10'-0"	U
u(E)	12	#4	11'-8"	U
v(E)	18	#4	6'-8"	U
v1(E)	22	#4	9'-8"	U
CONCRETE REMOVAL			CU YD	8.6
CONCRETE BOX CULVERTS			CU YD	9.8
REINFORCEMENT BARS EPOXY COATED			POUND	1722
EXPANSION BOLTS 3/4" x 12 INCH			EACH	20

FILE NAME =	USER NAME = carpenterdj	DESIGNED - RLW	REVISED -
c:\pwwork\pwwork\carpenterdj\d0268140\366843-shr-details.dgn		DRAWN - RLW	REVISED -
PLOT SCALE = 100.0000 / in.		CHECKED -	REVISED -
PLOT DATE = 4/5/2012		DATE -	REVISED -

STATE OF ILLINOIS
DEPARTMENT OF TRANSPORTATION

INLET DETAILS
FOR STRUCTURE NO. 006-2517

SCALE: _____ SHEET NO. 4 OF 4 SHEETS STA. _____ TO STA. _____

F.A.P. RTE.	SECTION	COUNTY	TOTAL SHEETS	SHEET NO.
316	(114)I	BUREAU	12	12
			CONTRACT NO. 66C11	
ILLINOIS FED. AID PROJECT				