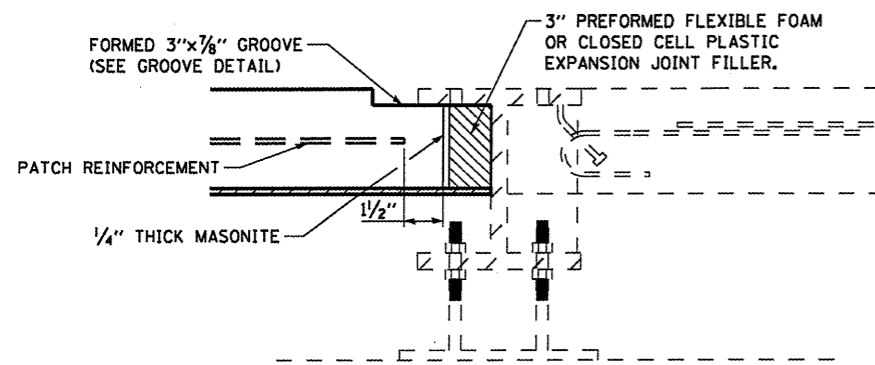
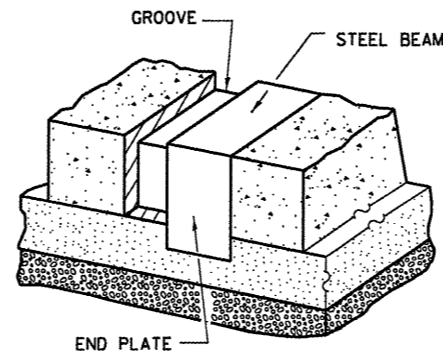


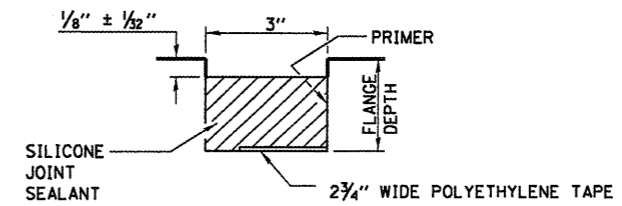
CLASS A PATCH TYPE II 10" (SPECIAL)



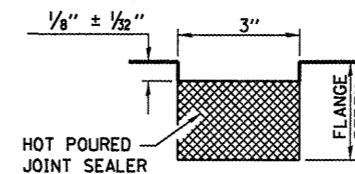
DETAIL A



VIEW OF GROOVE AT EDGE OF PAVEMENT



GROOVE DETAIL



GROOVE DETAIL (OPTIONAL)

FILE NAME =	USER NAME = oarpenterd	DESIGNED - RON WOODSHANK	REVISED -
o:\pwork\pedit\oarpenterd\10302024	0366C25-shit-details.dgn	DRAWN - RON WOODSHANK	REVISED -
	PLOT SCALE = 100.0000' / 1" =	CHECKED -	REVISED -
	PLOT DATE = 4/5/2012	DATE -	REVISED -

STATE OF ILLINOIS
DEPARTMENT OF TRANSPORTATION

CLASS A PATCH, TYPE IV 10" (SPECIAL)

SCALE: SHEET NO. OF SHEETS STA. TO STA.

F.A.I. RTE.	SECTION	COUNTY	TOTAL SHEETS	SHEET NO.
39	*	LASALLE	10	9
*D3 PAVEMENT PATCHING 2013-1			CONTRACT NO. 66C25	
ILLINOIS				