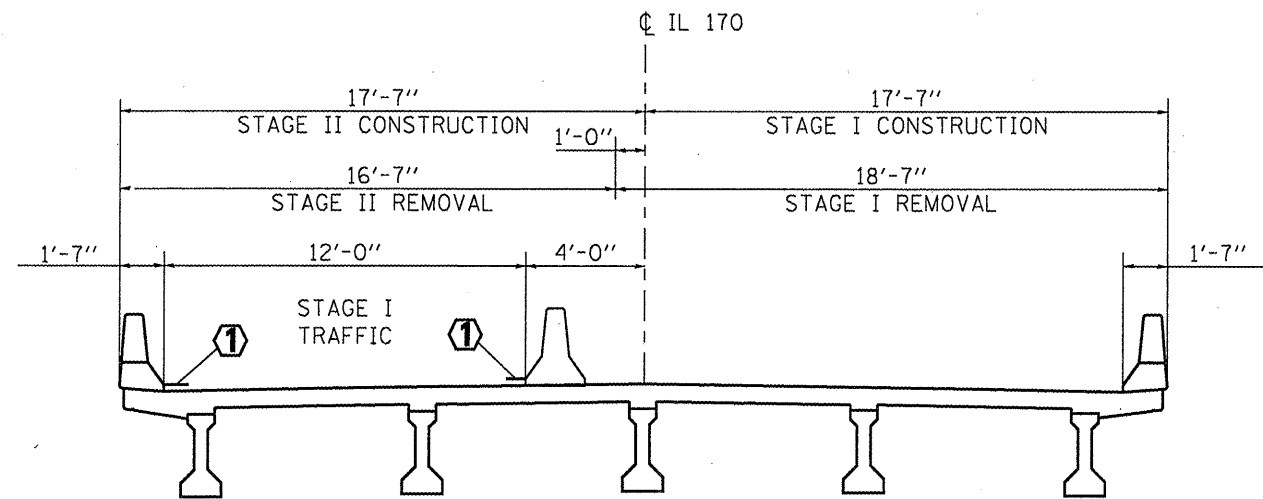


WIDTH RESTRICTION SIGNING DETAILS

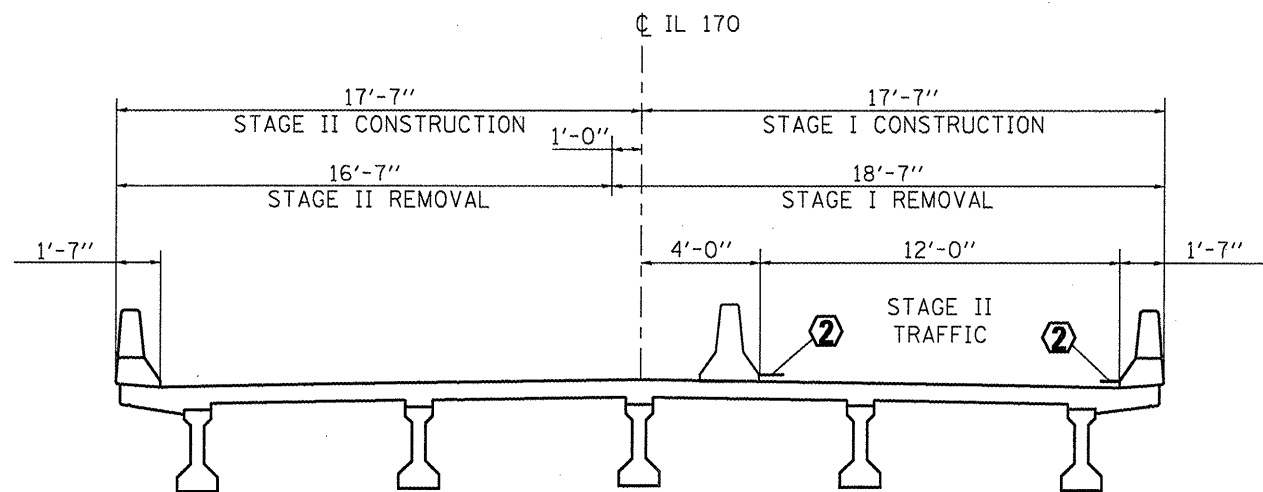
WIDTH RESTRICTION SIGNING TABLE				
NO. OF SIGNS	TYPE OF SIGN	SIGN DESIGNATION	LOCATION	WIDTH RESTRICTION & DISTANCE
1	WIDTH RESTRICTION W12-1-101-(O)	1	ON SB IL 170 SW CORNER INTERSECTION WITH IL 17	10'-6" 4.1 MILES
1	WIDTH RESTRICTION W12-1-101-(O)	2	ON NB IL 170 SE CORNER INTERSECTION WITH IL 23	10'-6" 3.1 MILES



STAGE I

① TEMPORARY PAVEMENT MARKING - STAGE I

② TEMPORARY PAVEMENT MARKING - STAGE II



STAGE II

FILE NAME =	USER NAME = spur-lockd	DESIGNED - DBS	REVISED -
ca:\pwork\pwork\spur-lockd\03062674\036626-ahs-details.dgn		DRAWN - DBS	REVISED -
PLOT SCALE = 1/8" = 1'-0"		CHECKED -	REVISED -
PLOT DATE = 4/2/2012		DATE - MARCH 2012	REVISED -

STATE OF ILLINOIS
DEPARTMENT OF TRANSPORTATION

TRAFFIC CONTROL STAGING DETAILS & WIDTH RESTRICTION SIGNING

SCALE: SHEET NO. 1 OF 1 SHEETS STA. 310+39.62 TO STA. 310+88.62

F.A.P. RTE.	SECTION	COUNTY	TOTAL SHEETS	SHEET NO.
786	(97-15D, BR-11)	LIVINGSTON	8	5
CONTRACT NO. 66C26			ILLINOIS FED. AID PROJECT	