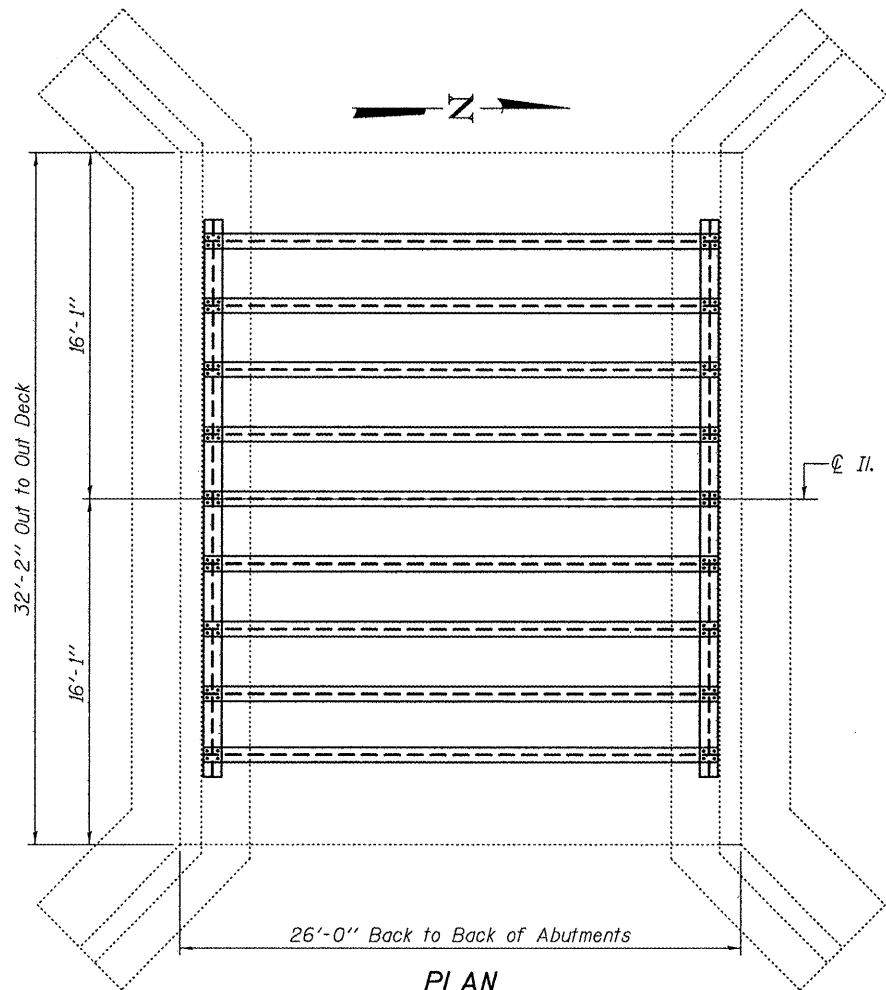
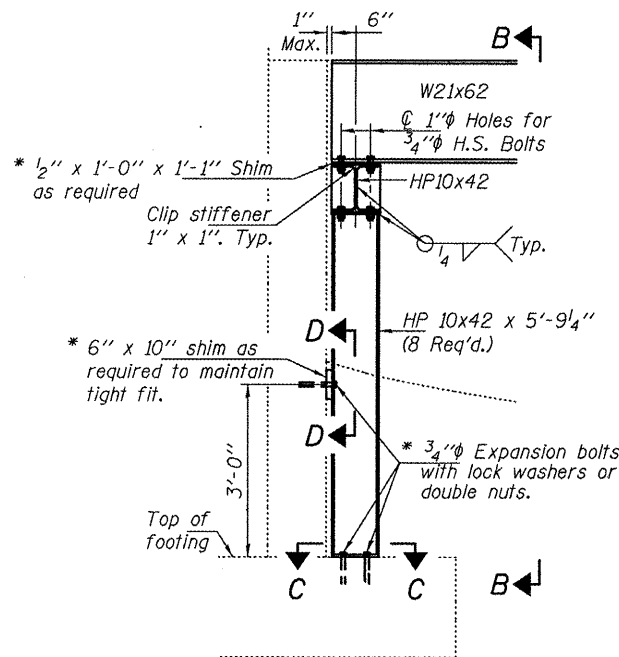


ELEVATION

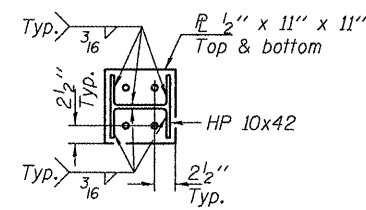


PLAN

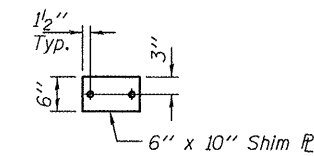


SECTION A-A

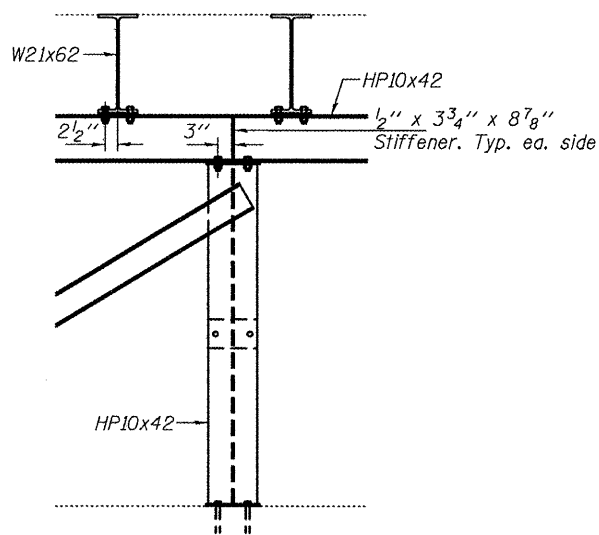
* Cost included with Furnishing & Erecting Structural Steel.



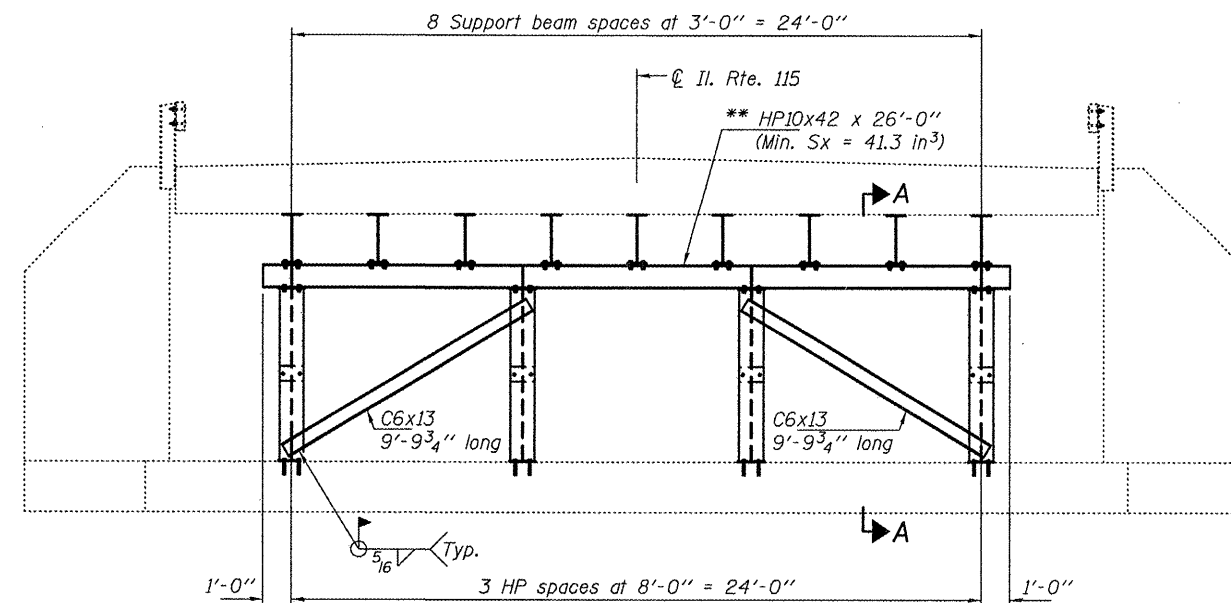
SECTION C-C



SECTION D-D



SECTION B-B



CROSS SECTION

** Contractor is to verify beam length prior to ordering material. Other sections meeting the section modulus requirements shown may be allowed subject to approval by the Bureau of Bridges and Structures. Maximum Girder depth = 21". No additional payment will be allowed if the contractor chooses a heavier steel section than the one specified in the plans.

GENERAL NOTES

All structural steel shall conform to AASHTO Classification M-270 Gr. 36, unless otherwise noted.
 Plan dimensions and details relative to existing plans are subject to nominal construction variations. The Contractor shall field verify existing dimensions and details affecting new construction and make necessary approved adjustments prior to construction or ordering of materials. Such variations shall not be cause for additional compensation for a change in scope of the work, however, the Contractor will be paid for the quantity actually furnished at the unit price bid for the work.
 The contractor is advised that the existing slab is in a deteriorated condition with reduced load carrying capacity. It is the contractors responsibility to account for the condition of the slab when developing construction procedures.
 See Section 584 of the Standard Specifications for Epoxy Grouting of Threaded Rods; Minimum embedment 9".
 If the contractor's procedure for placement of beams involves placement of cranes or other heavy equipment on the bridge, a detailed procedure shall be submitted to the Engineer for approval. The procedure shall include calculations, prepared and sealed by an Illinois Licensed Structural Engineer, verifying that the equipment and procedure used will not overstress the existing slab. To distribute load and protect the existing surface, in all cases a double layer mat of heavy timbers shall be used at all times under crane tracks or wheels and any outriggers in the down position. If necessary, shims shall be used under the crane mat to ensure uniform contact with the underlying surface.
 The cost of epoxy grouting threaded rods on the abutments shall be included with Furnishing and Erecting Structural Steel.
 The Contractor has the option of using used steel. See Special Provisions.

TOTAL BILL OF MATERIAL

ITEM	UNIT	QUANTITY
Furnishing and Erecting Structural Steel	Pound	18590



DESIGNED: <i>David Carl Puzey</i>	EXAMINED: <i>Jay F. Lelli</i>	DATE: MAY 8, 2012
CHECKED: <i>David Carl Puzey</i>	PASSED: <i>David Carl Puzey</i>	REVISED:
DRAWN: <i>balva</i>	ACTING ENGINEER OF BRIDGES AND STRUCTURES	REVISED:
CHECKED: <i>AP JP</i>		

STATE OF ILLINOIS
DEPARTMENT OF TRANSPORTATION

PLAN AND ELEVATION
IL 115 OVER RED DICK CREEK
SN 046-0067

F.A.P. RTE. 796	SECTION 104BR1	COUNTY KANKAKEE	TOTAL SHEETS 5	SHEET NO. 5
CONTRACT NO. 66C30				(ILLINOIS) FED. AID PROJECT