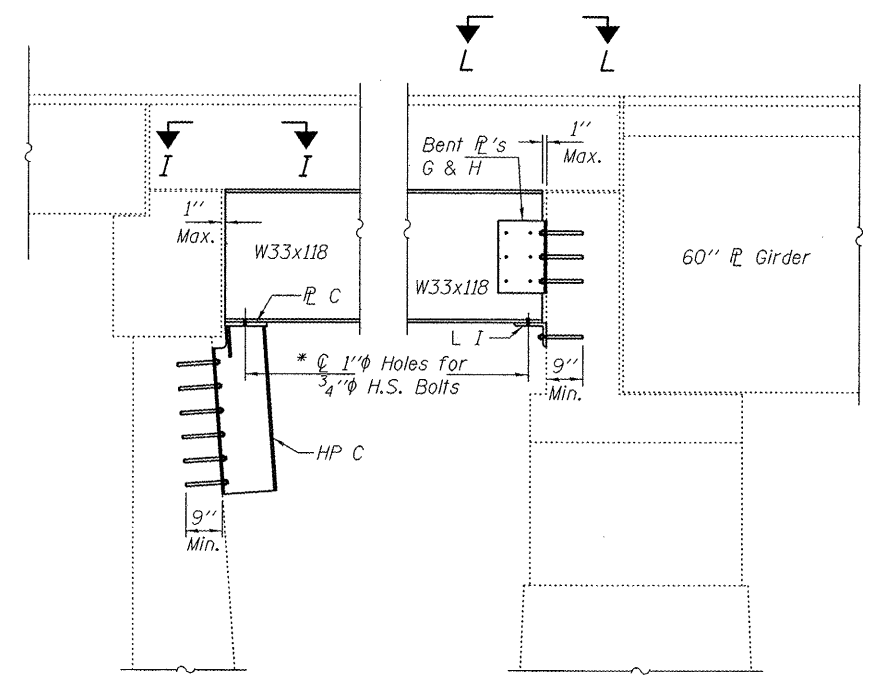


SECTION A-A

SECTION B-B

Note:
For Section L-L and structural steel details see sheet 3 of 3.

* Field drill holes in Support Beams using holes in R's & L's as template.

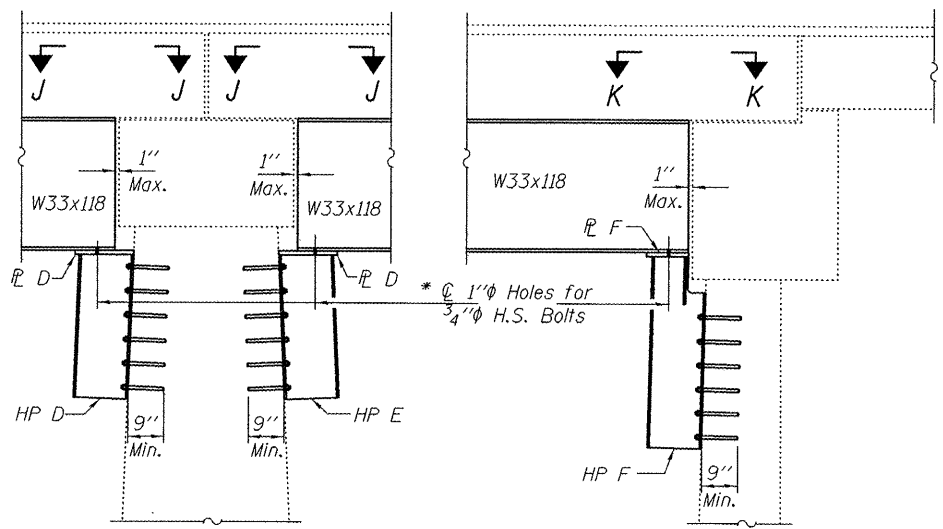


SECTION C-C

Span 1, Beam 9 at E. Abut.

SECTION D-D

Span 1, Beam 9 at Pier 1 & Span 3, Beams 5, 6 & 7 at Pier 2



SECTION E-E

Span 3, Beams 5, 6 & 7 and Span 4, Beams 7, 8 & 9 at Pier 3

SECTION F-F

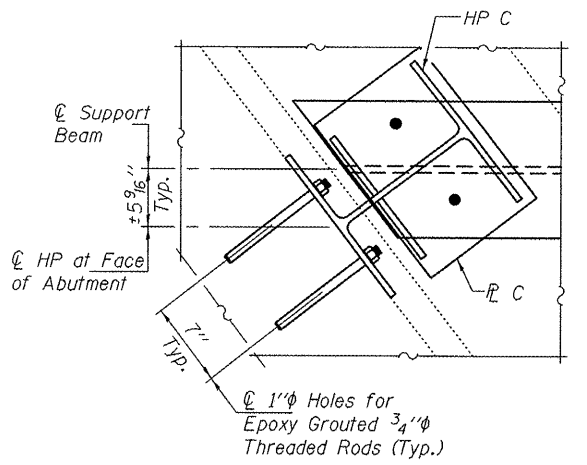
Span 4, Beams 5, 6 & 7 at West Abutment

SECTION G-G

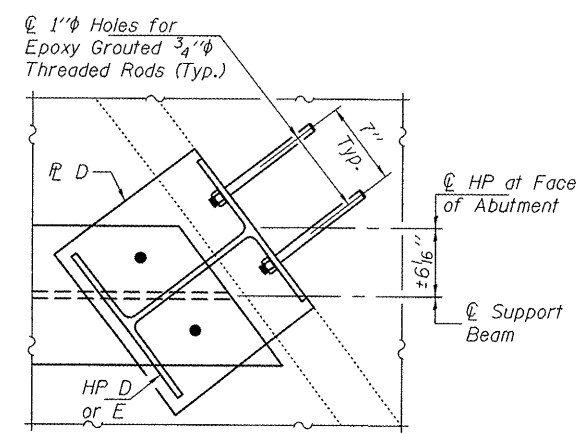
Span 4, Beam 2 at Pier 3

SECTION H-H

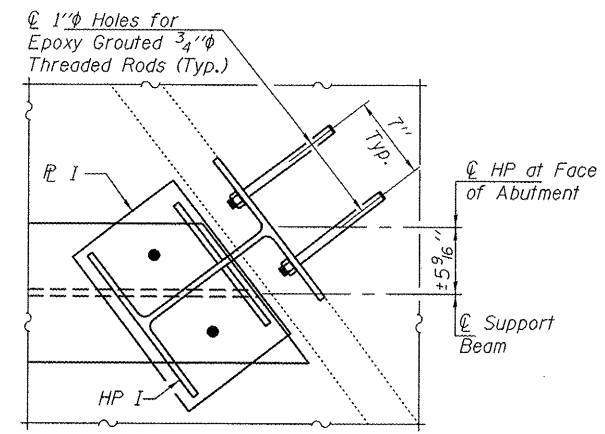
Span 4, Beam 2 at W. Abut.



SECTION I-I



SECTION J-J



SECTION K-K

DESIGNED - VP
CHECKED - MKC
DRAWN - Kyle M. Steffen
CHECKED - VP MKC

EXAMINED
PASSED
ACTING ENGINEER OF STRUCTURAL SERVICES
ACTING ENGINEER OF BRIDGES AND STRUCTURES

DATE - MAY 2, 2012

STATE OF ILLINOIS
DEPARTMENT OF TRANSPORTATION

REPAIR DETAILS
SN 088-0002

SHEET NO. 2 OF 3 SHEETS

F.A.P. RTE. 643	SECTION (11B)I-L	COUNTY STARK	TOTAL SHEETS 9	SHEET NO. 8
CONTRACT NO. 68B06			ILLINOIS FED. AID PROJECT	