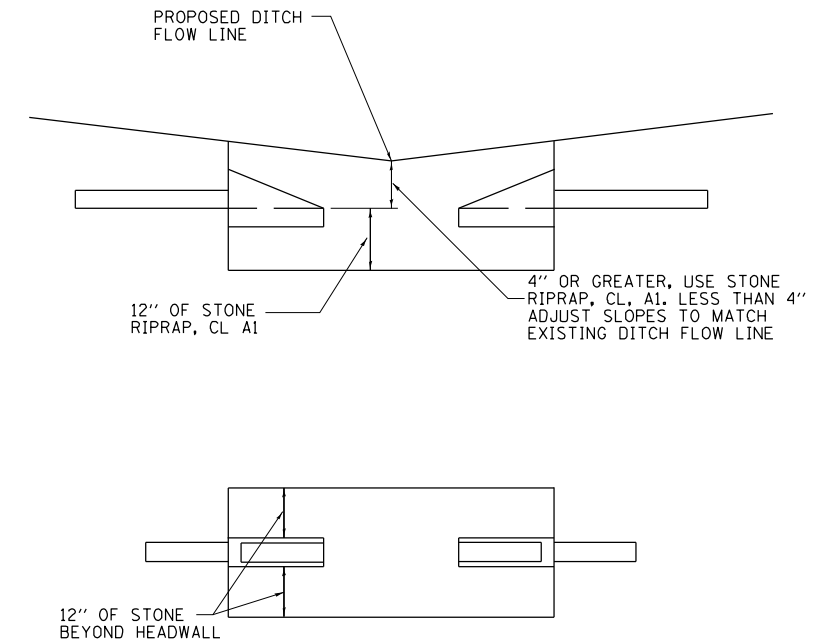
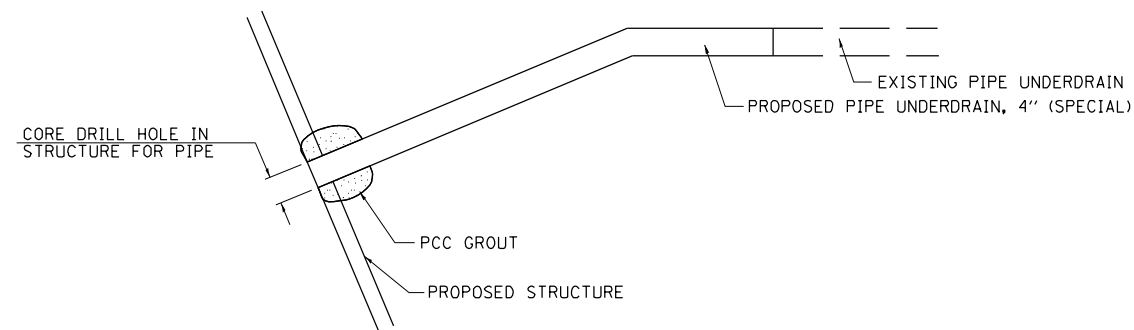


EARTH MEDIAN DITCH CHECK SPECIAL

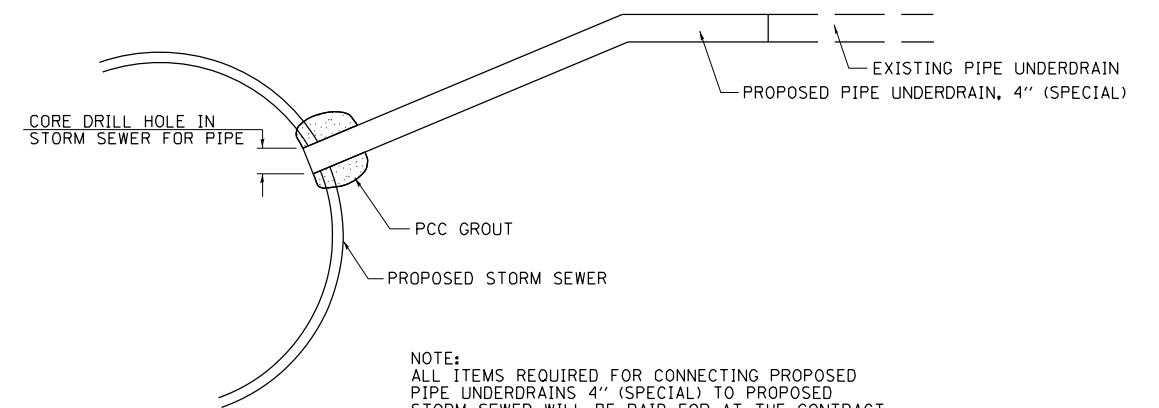


**UNDERDRAIN OUTLET
BELOW DITCH GRADE
TYPICAL DETAIL**



NOTE:
ALL ITEMS REQUIRED FOR CONNECTING PROPOSED PIPE UNDERDRAINS 4" (SPECIAL) TO STRUCTURE WILL BE PAID FOR AT THE CONTRACT UNIT PRICE EACH FOR UNDERDRAIN CONNECTION TO STRUCTURE.

**DETAIL OF CONNECTING PIPE UNDERDRAINS
4" (SPECIAL) TO STRUCTURE**



NOTE:
ALL ITEMS REQUIRED FOR CONNECTING PROPOSED PIPE UNDERDRAINS 4" (SPECIAL) TO PROPOSED STORM SEWER WILL BE PAID FOR AT THE CONTRACT UNIT PRICE EACH FOR CONNECTION TO EXISTING SEWER.

**DETAIL OF CONNECTING PIPE UNDERDRAINS
4" (SPECIAL) TO PROPOSED STORM SEWER**

•CHAMPAIGN & VERMILION

McDonough-Whitlow, P.C.
Consulting Engineers & Land Surveyors
138 East Wood Street
Hillsboro, IL 62049
Phone: 217.532.9233
Fax: 217.532.6300
PROFESSIONAL DESIGN No. 184-002754

FILE NAME = D570966-xxx-DETSHT1.dgn	USER NAME = JLM	DESIGNED - JAH	REVISED -
		DRAWN - JLM	REVISED -
		CHECKED - TMM	REVISED -
		DATE -	REVISED -

**STATE OF ILLINOIS
DEPARTMENT OF TRANSPORTATION**

MEDIAN DITCH CHECK SPECIAL & UNDERDRAIN OUTLET DETAILS

SCALE: NONE SHEET NO. 1 OF 1 SHEETS STA. TO STA.

F.A.I. RTE.	SECTION	COUNTY	TOTAL SHEETS	SHEET NO.
74	MEDIAN CABLE 2012-1	•	130	40
			CONTRACT NO. 70966	
ILLINOIS FED. AID PROJECT				