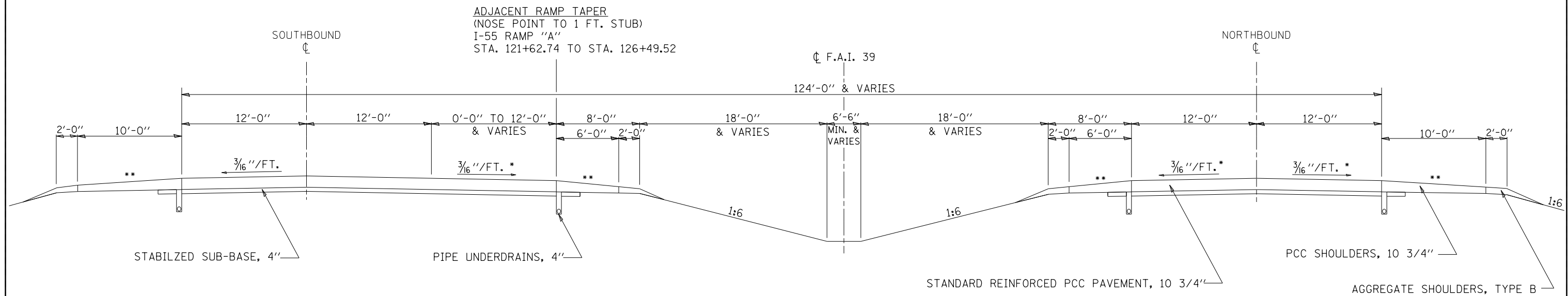


# EXISTING TYPICAL SECTION F.A.I. 39

STA. 110 + 00.00 TO STA. 144 + 50.00



- \* SLOPE VARIES FOR SUPERELEVATION IN CURVES
- \*\* SLOPE VARIES IN SUPERELEVATION WITH MAXIMUM OF 0.08 FT/FT DIFFERENCE

FILE NAME =	USER NAME = berganaj	DESIGNED - AJB	REVISED - _____
et:\pwork\pwork\berganaj\0302063\0570973-sh-typical.dgn		DRAWN - AJB	REVISED - _____
	PLOT SCALE = 40.0000' / in.	CHECKED - _____	REVISED - _____
	PLOT DATE = 3/22/2012	DATE - 3/12/2012	REVISED - _____

STATE OF ILLINOIS  
DEPARTMENT OF TRANSPORTATION

EXISTING TYPICAL SECTION

SCALE: N/A SHEET NO. 2 OF 6 SHEETS STA. N/A TO STA. N/A

F.A.I. RTE.	SECTION	COUNTY	TOTAL SHEETS	SHEET NO.
39	D5 PATCHING 2013-1	MCLEAN	19	6
CONTRACT NO. 70973				
ILLINOIS FED. AID PROJECT				