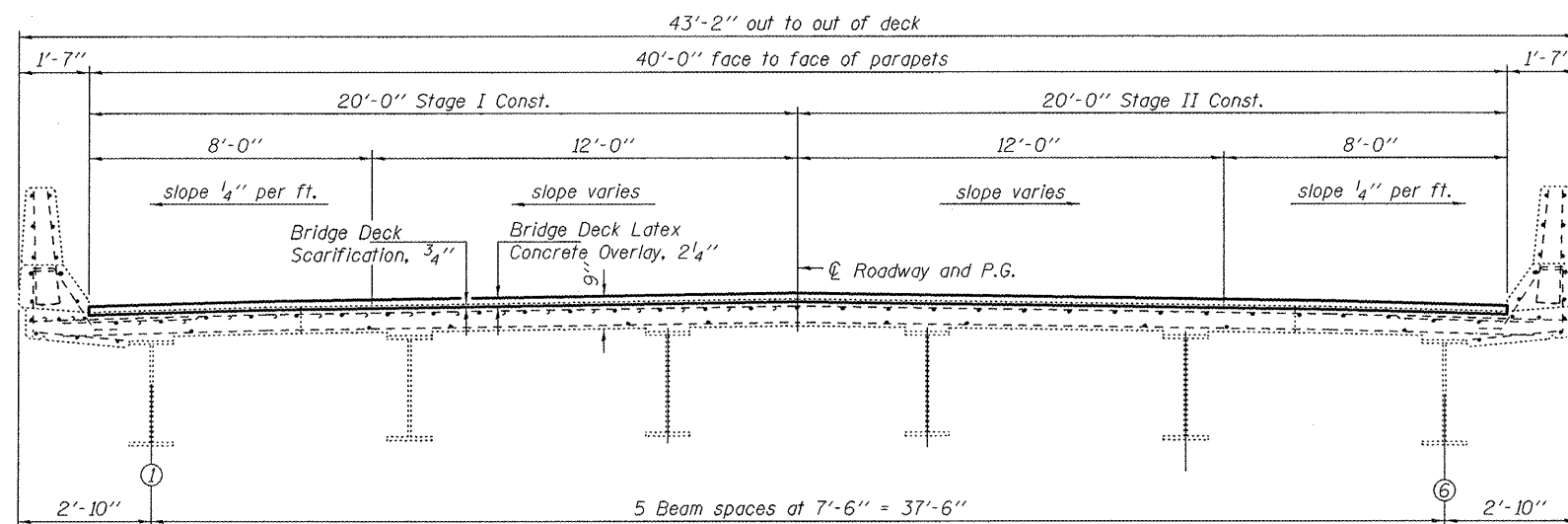
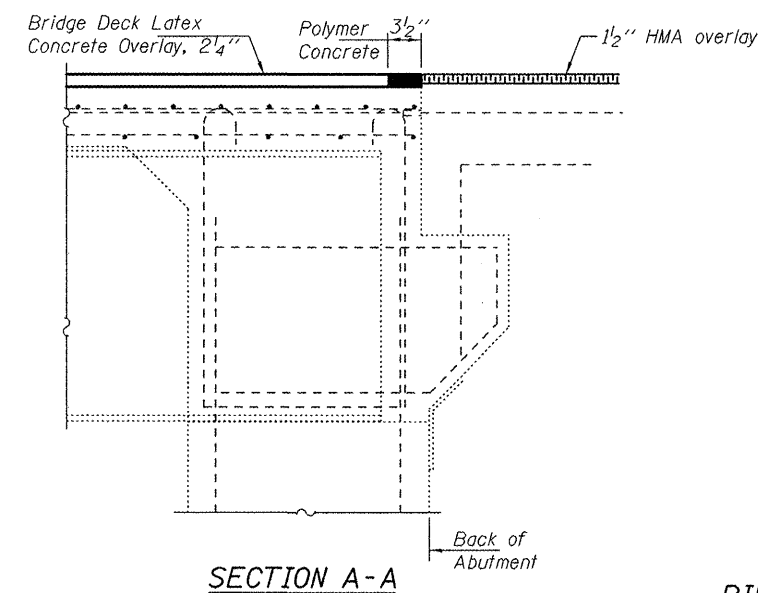


PLAN

- Deck Slab Repair (Partial)
- Deck Slab Repair (Full Depth, Type I)



CROSS SECTION
(Looking East)



SECTION A-A

BILL OF MATERIAL

Item	Unit	Quantity
* Deck Slab Repair (Partial)	Sq. Yd.	63.7
Deck Slab Repair (Full Depth, Type I)	Sq. Yd.	5.3
Bridge Deck Latex Concrete Overlay, 2 1/4"	Sq. Yd.	743.4
Bridge Deck Scarification, 3/4"	Sq. Yd.	743.4
Polymer Concrete	Cu. Ft.	4.8

* Quantity included for information only. Cost included with Bridge Deck Latex Concrete Overlay, 2 1/4". See Special Provisions.

DESIGNED VHV
 CHECKED DAB
 DRAWN baliva
 CHECKED VHV DAB

EXAMINED *James F. J...* DATE MAY 1, 2012
 PASSED ACTING ENGINEER OF STRUCTURAL SERVICES
 ACTING ENGINEER OF BRIDGES AND STRUCTURES

STATE OF ILLINOIS
DEPARTMENT OF TRANSPORTATION

REPAIR DETAILS
SN. 084-0192

SHEET NO. 3 OF 3 SHEETS

F.A. RTE.	SECTION	COUNTY	TOTAL SHEETS	SHEET NO.
753	(140RS-6, 141RS-7)	SANGAMON	98	54
CONTRACT NO. 72E12				
ILLINOIS FED. AID PROJECT				