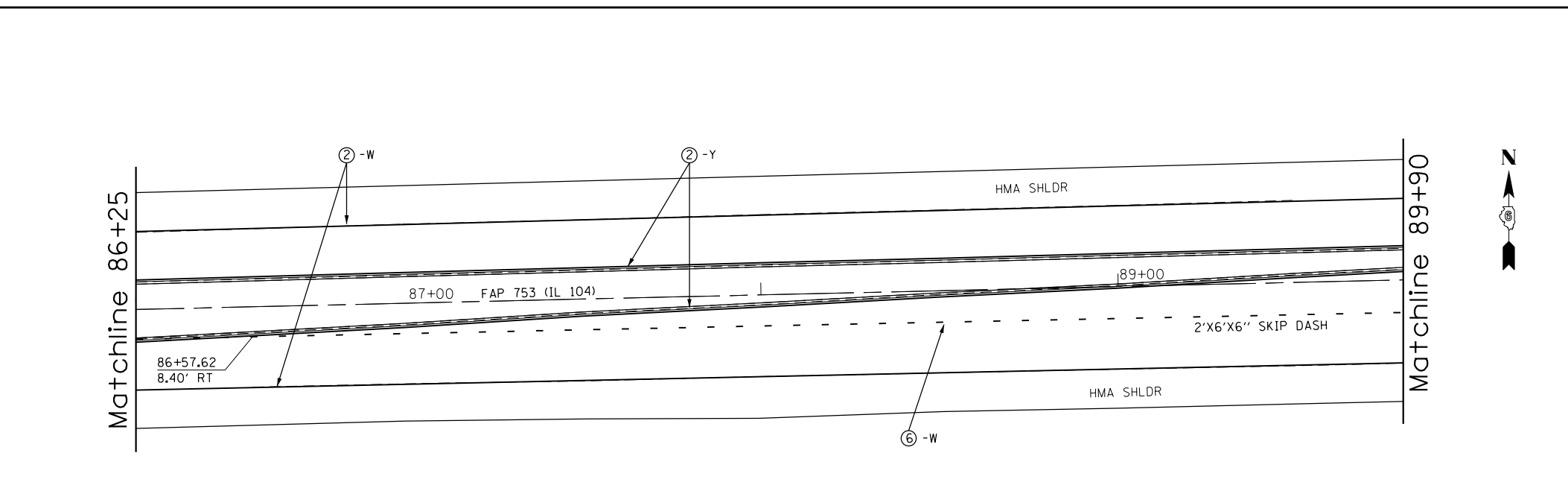
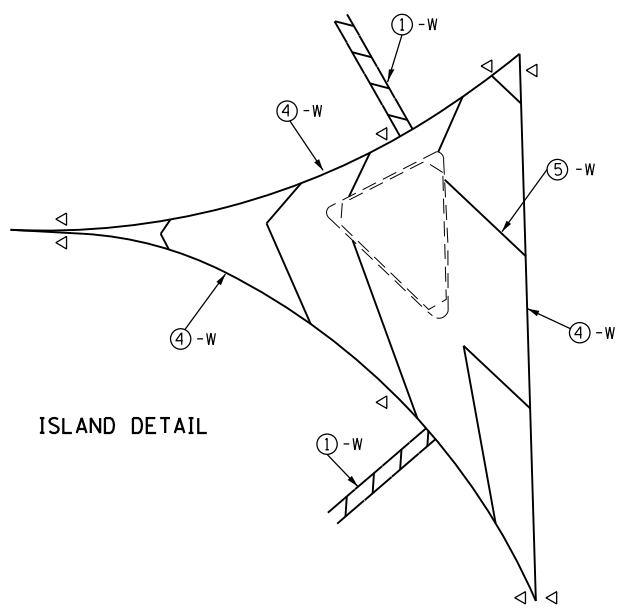


PAVEMENT MARKING LEGEND

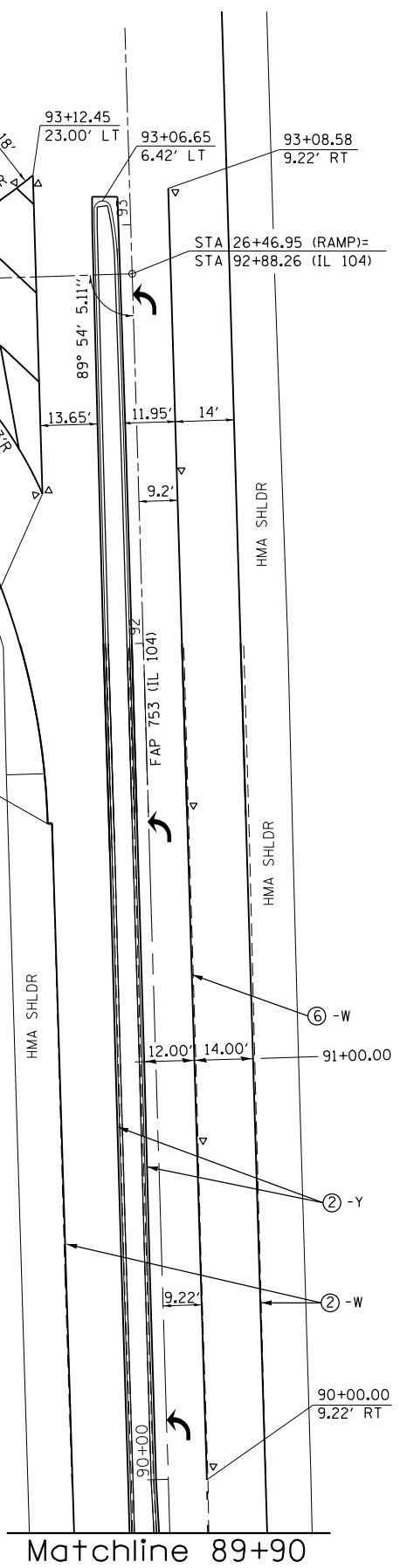
- ① PREFORMED PLASTIC PAVEMENT MARKING, TYPE B, INLAID - LINE 24"
- ② URETHANE PAVEMENT MARKING - LINE 5"
- ③ URETHANE PAVEMENT MARKING - LINE 5" (DOUBLE YELLOW LINES @ 13" CENTERS)
- ④ URETHANE PAVEMENT MARKING - LINE 8"
- ⑤ URETHANE PAVEMENT MARKING - LINE 12"
- ⑥ PREFORMED PLASTIC PAVEMENT MARKING, TYPE B, INLAID - LINE 6"

↶ PREFORMED PLASTIC PAVEMENT MARKING, TYPE B, INLAID - LETTERS AND SYMBOLS (WHITE)
 ▶ RAISED REFLECTIVE PAVEMENT MARKER (ONE-WAY CRYSTAL)
 ▸ RAISED REFLECTIVE PAVEMENT MARKER (ONE-WAY AMBER)
 ◆ RAISED REFLECTIVE PAVEMENT MARKER (TWO-WAY AMBER)

⊗-W PAVEMENT MARKING, WHITE
 ⊗-Y PAVEMENT MARKING, YELLOW



3CC
175' R
75' R
175' R



FILE NAME =	USER NAME = sparksgw	DESIGNED -	REVISED -
c:\pwork\work\pwork\sparksgw\0245433\0672E12-Practice Sheets.dgn		DRAWN -	REVISED -
PLOT SCALE = 40.0000' / in.		CHECKED -	REVISED -
PLOT DATE = Apr-09-2012 03:37:00PM		DATE -	REVISED -

**STATE OF ILLINOIS
DEPARTMENT OF TRANSPORTATION**

PAVEMENT MARKING DETAILS

SCALE: SHEET 2 OF 5 SHEETS STA. TO STA.

F.A.P. RTE.	SECTION	COUNTY	TOTAL SHEETS	SHEET NO.
753	(140RS-6, 141RS-7)I	SANGAMON	98	71
CONTRACT NO. 72E12				
ILLINOIS FED. AID PROJECT				