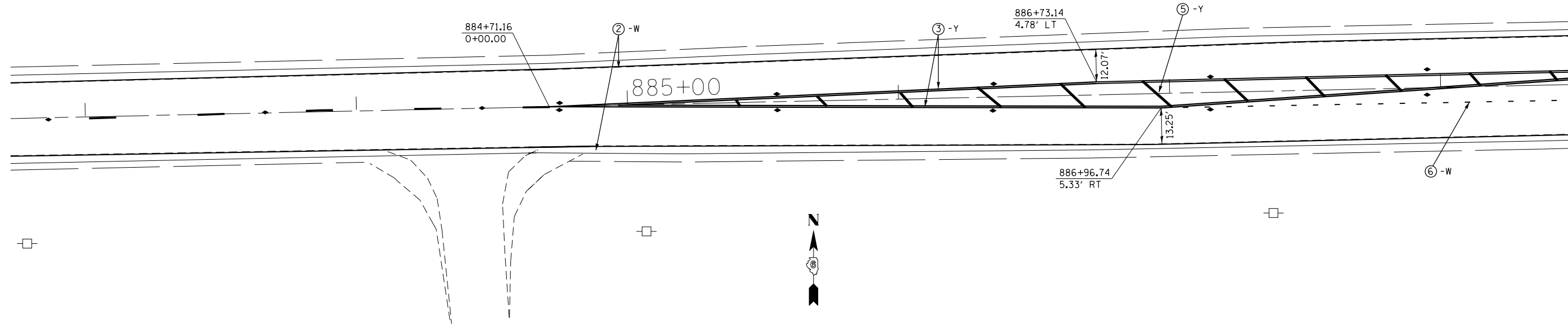


MATCHLINE 888+50

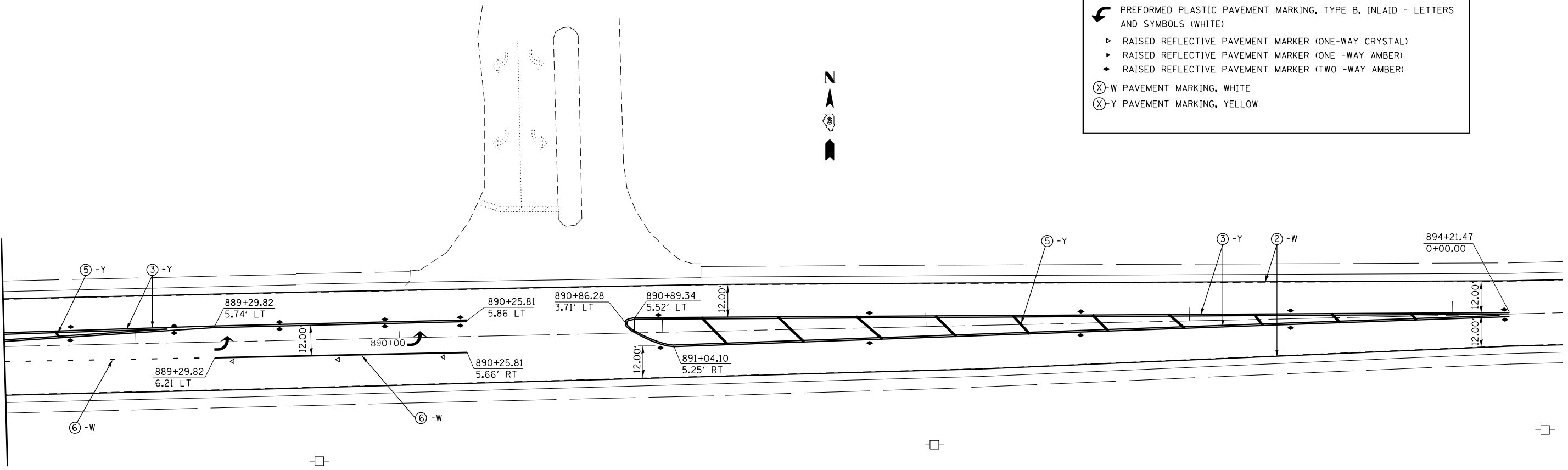


PAVEMENT MARKING LEGEND

- ① PREFORMED PLASTIC PAVEMENT MARKING, TYPE B, INLAID - LINE 24"
- ② URETHANE PAVEMENT MARKING - LINE 5"
- ③ URETHANE PAVEMENT MARKING - LINE 5 "(DOUBLE YELLOW LINES @ 13" CENTERS)
- ④ URETHANE PAVEMENT MARKING - LINE 8"
- ⑤ URETHANE PAVEMENT MARKING - LINE 12"
- ⑥ PREFORMED PLASTIC PAVEMENT MARKING, TYPE B, INLAID - LINE 6"

- ↖ PREFORMED PLASTIC PAVEMENT MARKING, TYPE B, INLAID - LETTERS AND SYMBOLS (WHITE)
- ▶ RAISED REFLECTIVE PAVEMENT MARKER (ONE-WAY CRYSTAL)
- ▷ RAISED REFLECTIVE PAVEMENT MARKER (ONE -WAY AMBER)
- ◆ RAISED REFLECTIVE PAVEMENT MARKER (TWO -WAY AMBER)
- ⓧ-W PAVEMENT MARKING, WHITE
- ⓧ-Y PAVEMENT MARKING, YELLOW

MATCHLINE 888+50



FILE NAME =	USER NAME = sparksgw	DESIGNED -	REVISED -
ci:\pwork\pwork\sparksgw\0245433\0672E12-Practice Sheets.dgn		DRAWN -	REVISED -
PLOT SCALE = 40.0000' / in.		CHECKED -	REVISED -
PLOT DATE = Apr-09-2012 03:37:01PM		DATE -	REVISED -

**STATE OF ILLINOIS
DEPARTMENT OF TRANSPORTATION**

PAVEMENT MARKING DETAILS

SCALE:	SHEET 5 OF 5 SHEETS	STA.	TO STA.
--------	---------------------	------	---------

F.A.P. RTE.	SECTION	COUNTY	TOTAL SHEETS	SHEET NO.
753	(140RS-6, 141RS-7)I	SANGAMON	98	74
CONTRACT NO. 72E12				
ILLINOIS FED. AID PROJECT				