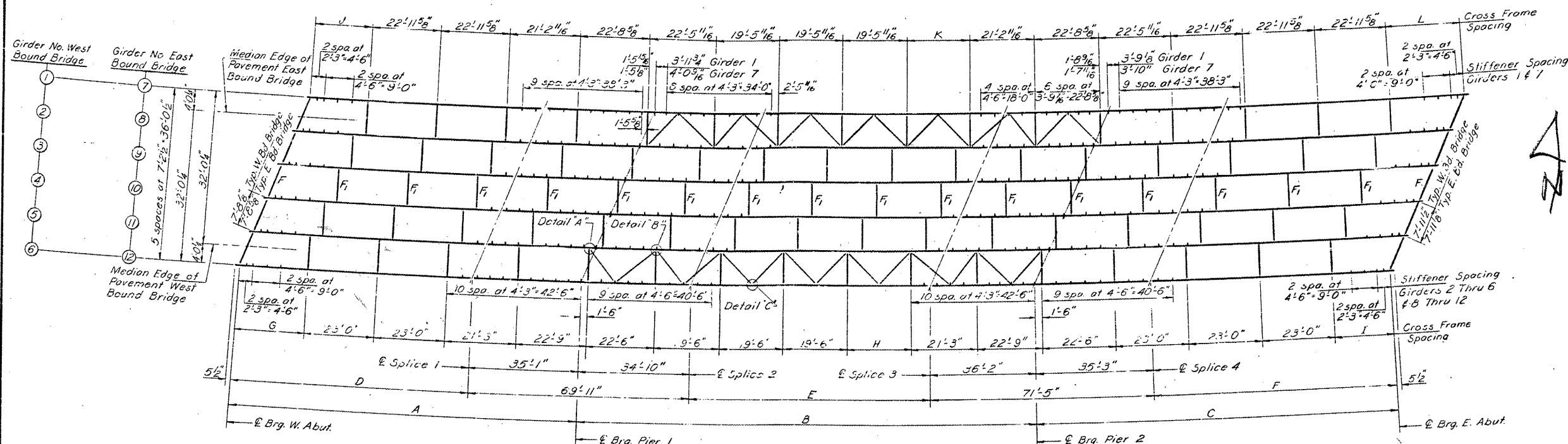


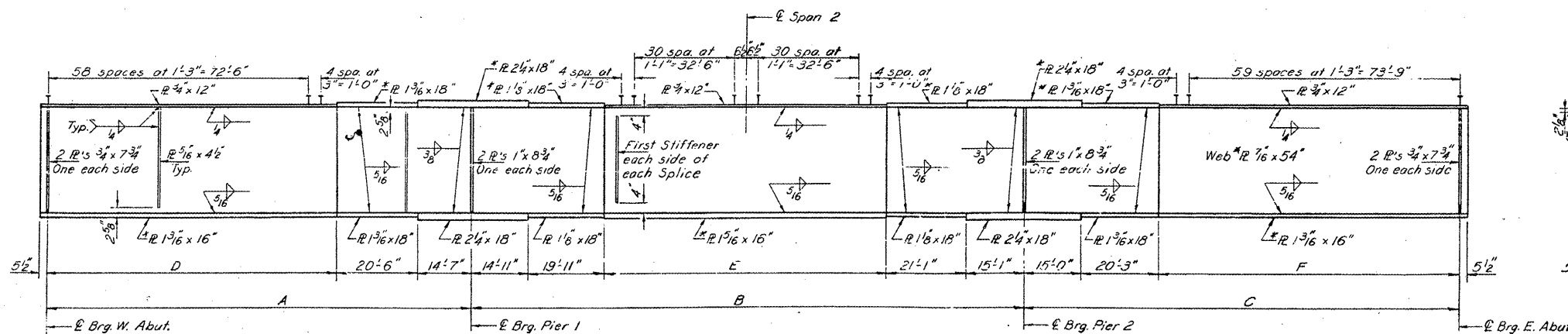
STATE OF ILLINOIS
DEPARTMENT OF TRANSPORTATION

DATE	SECTION	AMOUNT	TOTAL SHEETS	SHEET NO.	SHEET NO. //
11-4-08	86-9B-3	Scott	25	15	21 SHEETS
PREP. DATE	REV. DATE	APPROVED	PREP. AND PROJECT		

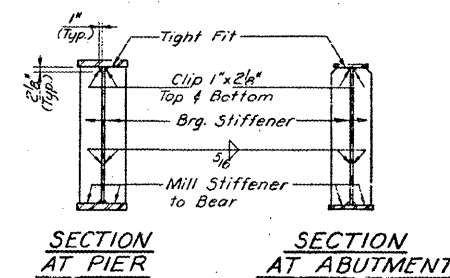


FRAMING PLAN

NOTES:
Work this Sheet with Sheet 12
All transverse dimensions are radial.
All longitudinal dimensions are along E Girder.



ELEVATION



SECTION AT PIER

SECTION AT ABUTMENT

DESIGNED	<i>[Signature]</i>
CHECKED	<i>[Signature]</i>
DRAWN	R. R. Summer
CHECKED	G. S. W. <i>[Signature]</i>

EXAMINED	<i>[Signature]</i>
PASSED	
APPROVED	

* Supplemental Requirements for Notch Toughness Zone 2

FOR INFORMATION ONLY

STRUCTURAL STEEL
F.A. RT. 408 SEC. 86-9B-3
SCOTT COUNTY
STA. 207+50.00

FOR INFORMATION ONLY

TYPICAL BRIDGE PALS
FAI 72 (I-72)
(86-9)BRIDGE PAINTING
SCOTT COUNTY