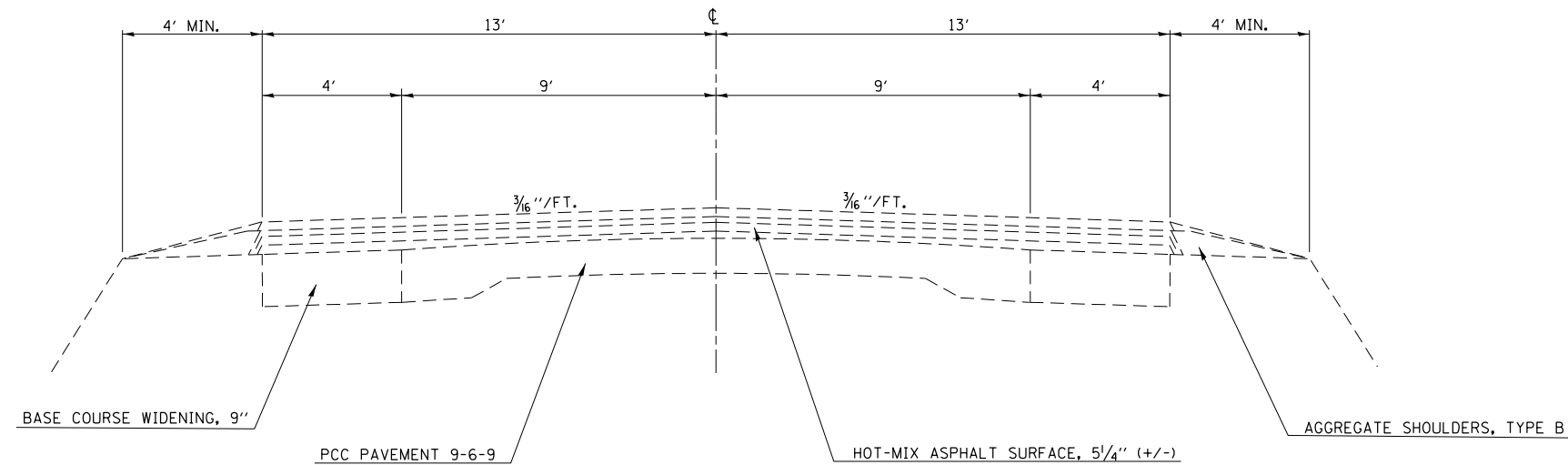


③ EXISTING TYPICAL SECTION

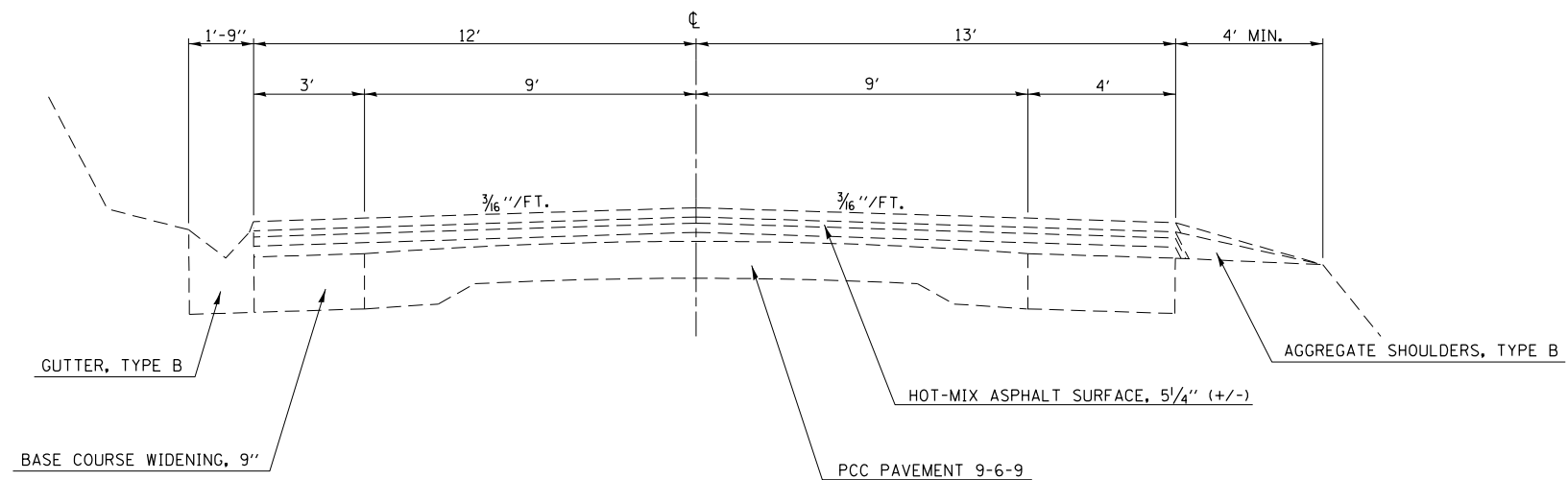
STA. 1057+25.96 TO STA. 1066+99.00
 STA. 1071+69.00 TO STA. 1086+25.96
 STA. 1091+25.96 TO STA. 1101+25.96
 STA. 1133+25.96 TO STA. 1182+25.96
 STA. 1241+25.96 TO STA. 1260+25.96
 STA. 1280+25.96 RT. TO STA. 1295+34.37
 STA. 1283+25.96 LT. TO STA. 1295+34.37
 STA. 1295+34.37 BK = STA. 1295+38.60 AH
 STA. 1295+38.60 TO STA. 1290+90.19 RT.
 STA. 1295+38.60 TO STA. 1296+10.19 LT.



NOTE: NOT TO SCALE

④ EXISTING TYPICAL SECTION

STA. 1066+99.00 TO STA. 1071+69.00



NOTE: NOT TO SCALE

FILE NAME =	USER NAME = steffenmk	DESIGNED -	REVISED -
ct:\pwork\pwork\dot\stefjenmk\dms52759\d74247-sht-typicals.dgn		DRAWN -	REVISED -
	PLOT SCALE = 100.0000' / 1in.	CHECKED -	REVISED -
	PLOT DATE = 3/23/2012	DATE -	REVISED -

STATE OF ILLINOIS
DEPARTMENT OF TRANSPORTATION

TYPICAL CROSS SECTIONS

SCALE: NA SHEET NO. 2 OF 6 SHEETS STA. TO STA.

F.A.P. RTE.	SECTION	COUNTY	TOTAL SHEETS	SHEET NO.
116	(126,127)RS-5	EDWARDS	51	8
CONTRACT NO. 74247			ILLINOIS FED. AID PROJECT	