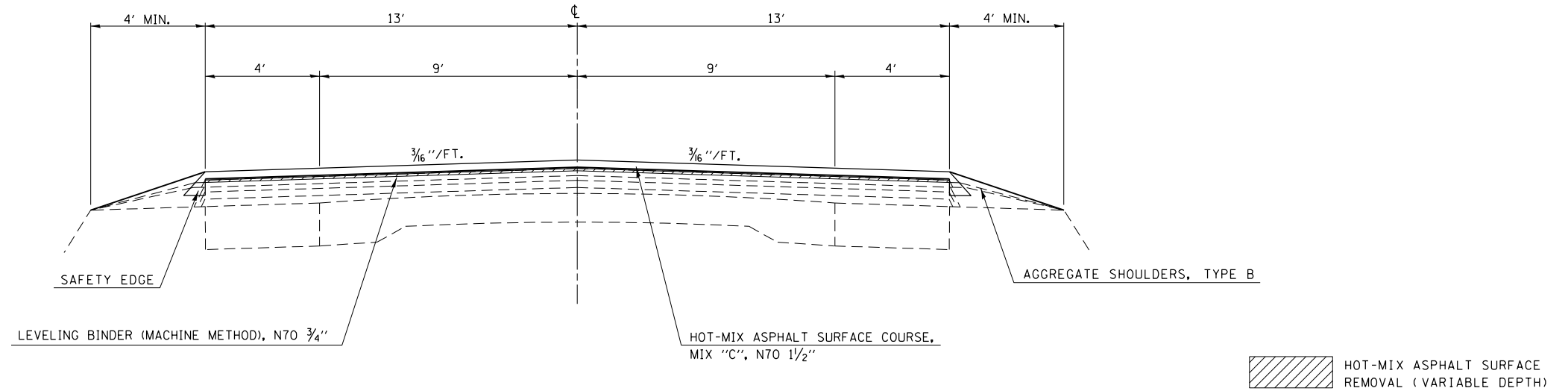


③ PROPOSED TYPICAL SECTION

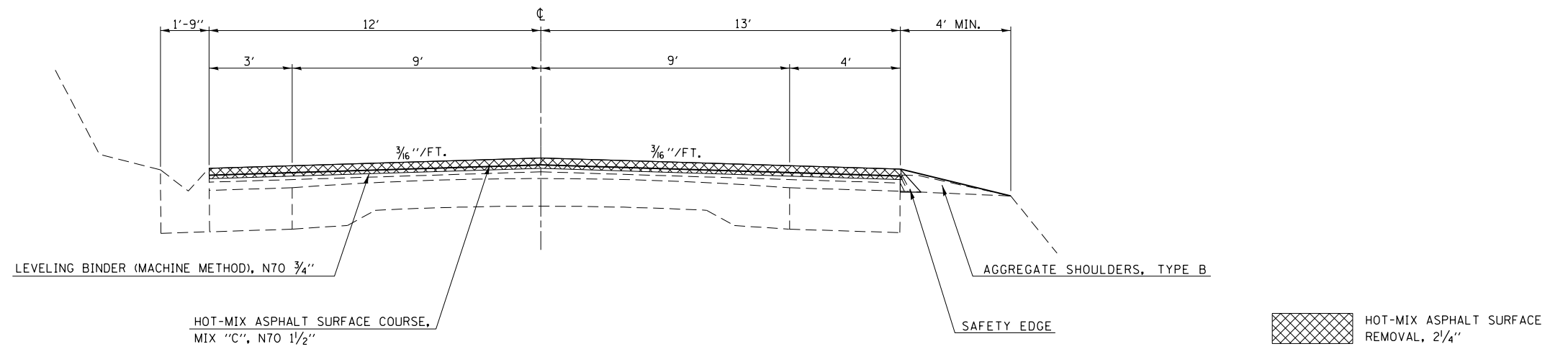
STA. 1057+25.96 TO STA. 1066+99.00
 STA. 1071+69.00 TO STA. 1086+25.96
 STA. 1091+25.96 TO STA. 1101+25.96
 STA. 1133+25.96 TO STA. 1182+25.96
 STA. 1241+25.96 TO STA. 1260+25.96
 STA. 1280+25.96 RT. TO STA. 1295+34.37
 STA. 1283+25.96 LT. TO STA. 1295+34.37
 STA. 1295+34.37 (BK) = STA. 1295+38.60 (AH)
 STA. 1295+38.60 TO STA. 1290+90.19 RT.
 STA. 1295+38.60 TO STA. 1296+10.19 LT.



NOTE: NOT TO SCALE

④ PROPOSED TYPICAL SECTION

STA. 1066+99.00 TO STA. 1071+69.00



NOTE: NOT TO SCALE

FILE NAME =	USER NAME = steffenmk	DESIGNED -	REVISED -	STATE OF ILLINOIS DEPARTMENT OF TRANSPORTATION	TYPICAL CROSS SECTIONS			F.A.P. RTE.	SECTION	COUNTY	TOTAL SHEETS	SHEET NO.	
ci:\pwork\pwork\dot\stefenmk\dms52759\d74247-sht-typicals.dgn		DRAWN -	REVISED -		SCALE: NA	SHEET NO. 5 OF 6 SHEETS	STA.	TO STA.	116	(126,127)RS-5	EDWARDS	51	11
		CHECKED -	REVISED -					CONTRACT NO. 74247					
		DATE -	REVISED -					ILLINOIS FED. AID PROJECT					