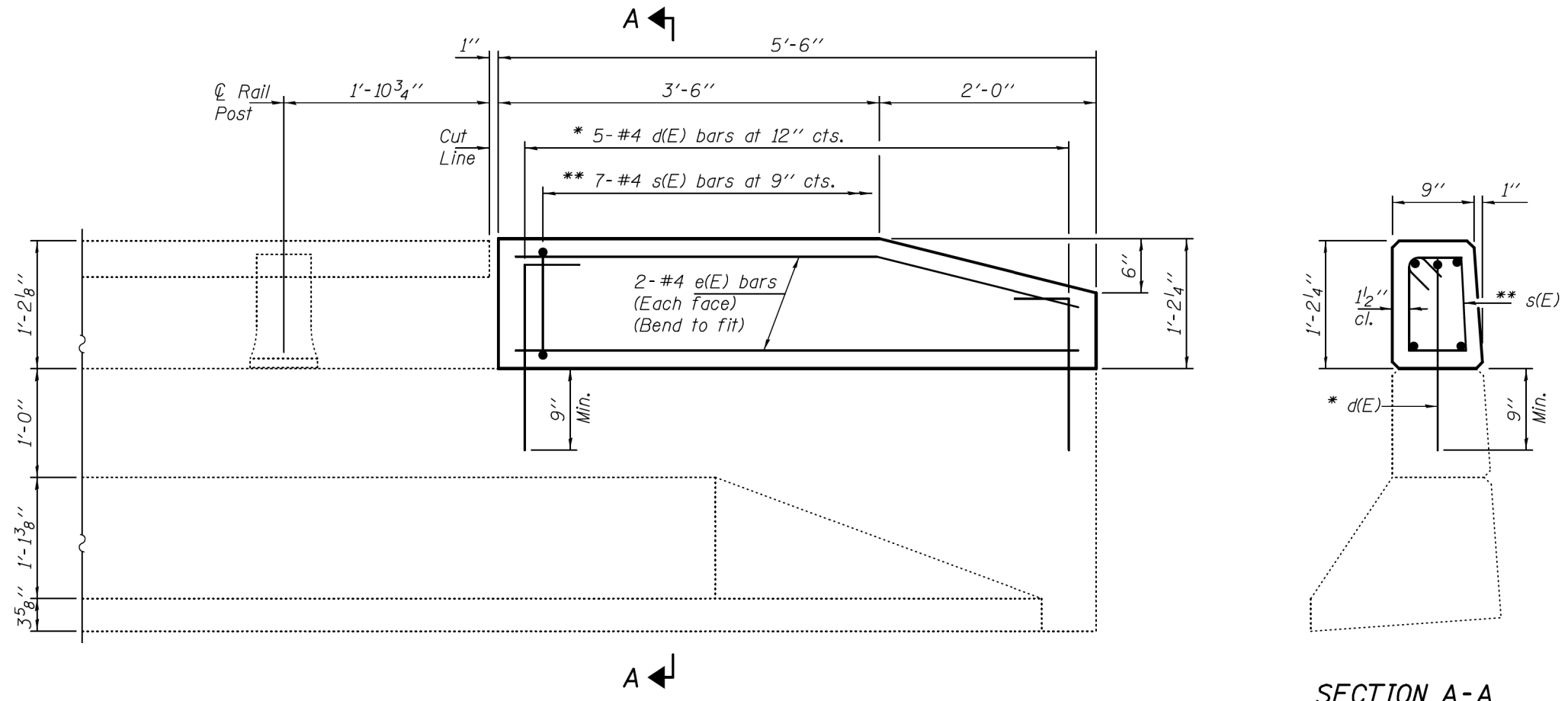


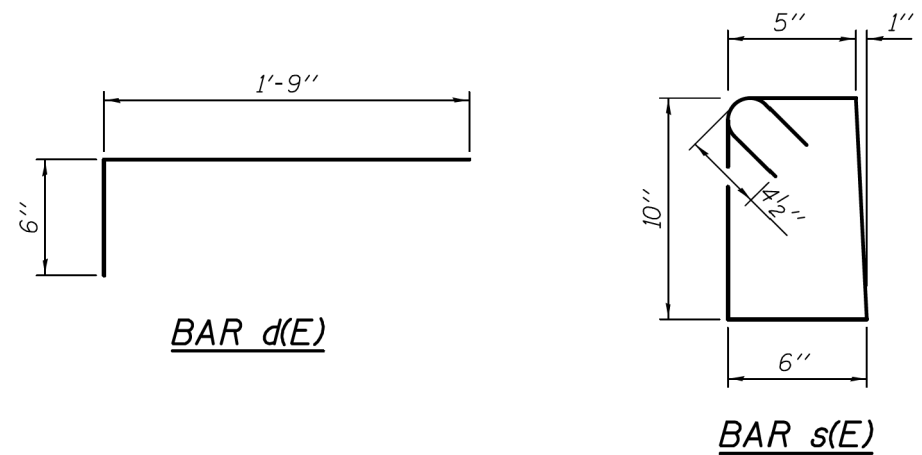
PARAPET DETAILS

SN 073-0025 & SN 073-0026



INSIDE ELEVATION OF PARAPET

SECTION A-A



* d(E) bars to be epoxy grouted in 7/8"φ x 9" minimum holes. Cut in field as required.

** Tilt s(E) bars as needed to fit.

Note

To be used: All sections where proposed Traffic Barrier Terminal, Type 6 will tie into existing parapet wall (8 sections total). (See Highway Standard 631031-10)

BILL OF MATERIAL

Bar	No.	Size	Length	Shape
d	5	#4	2'-3"	┌
e	5	#4	5'-3"	—
s	7	#4	3'-4"	□
Concrete Parapet			Cu. Yd.	0.17
Reinforcement Bars			Pound	40.6

TOTAL BILL OF MATERIAL

Bar	No.	Size	Length	Shape
d	40	#4	2'-3"	┌
e	40	#4	5'-3"	—
s	56	#4	3'-4"	□
Concrete Parapet			Cu. Yd.	1.36
Reinforcement Bars			Pound	325

FILE NAME =	USER NAME = USER*	DESIGNED -	REVISED -
ct:\pw\work\p\dot\lavenderba\d0302467\78292-sht-plen.dgn		DRAWN -	REVISED -
	PLOT SCALE = 100.0000' / in.	CHECKED -	REVISED -
	PLOT DATE = 3/22/2012	DATE -	REVISED -

**STATE OF ILLINOIS
DEPARTMENT OF TRANSPORTATION**

**PARAPET DETAILS
SN 073-0025 & SN 073-0026**

SCALE: SHEET OF SHEETS STA. TO STA.

*FAP 42/FAU 9668/9669		*PERRY & JACKSON	
F.A. RTE.	SECTION	COUNTY	TOTAL SHEETS
	(8,103) RS-2; (12-2) RS-1		19
			SHEET NO. 17
CONTRACT NO. 78292			
ILLINOIS FED. AID PROJECT			