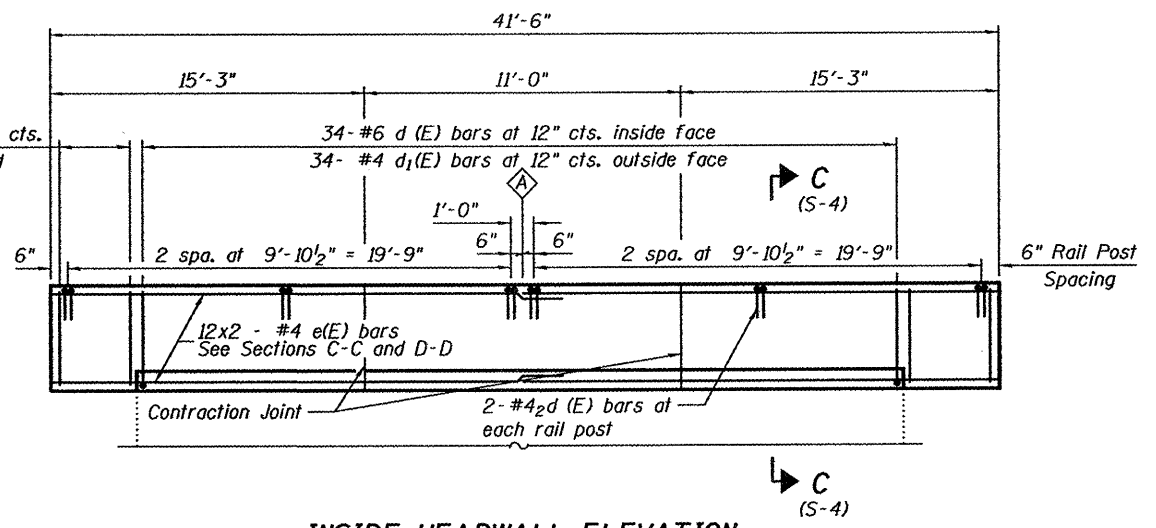


* Order a and a₁ bars full length. Cut to fit skew and use remainder of bars in opposite end

Notes:
1. Existing reinforcement shall be cleaned and incorporated into the new construction. Cost included with Concrete Removal.

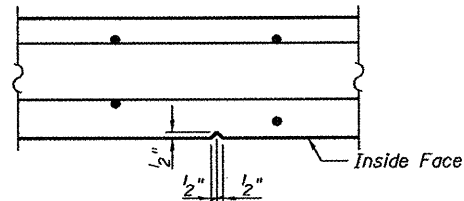


INSIDE HEADWALL ELEVATION

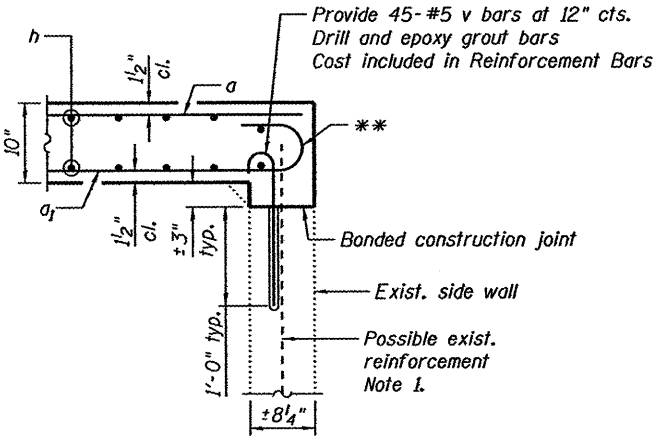
Culvert walls not shown for clarity
See Sheet S-5

MINIMUM BAR LAP

#4 bar = 2'-0"
#5 bar = 2'-6"

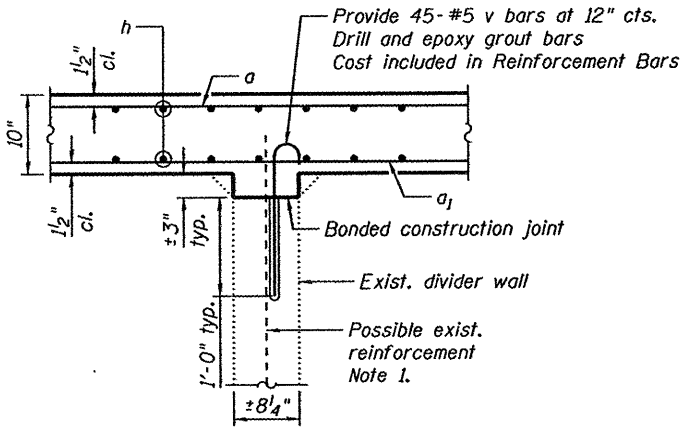


CONTRACTION JOINT DETAIL



SECTION A-A

** Tilt hooks to meet clear cover requirements



SECTION B-B

COMPANY NAME: HRGreen.com
PROJECT CONTACT: Kevin M. Arft
City of Rockford
DATE PLOTTED: 3/23/2012 14:05:41 PM
FILE NAME: 8610049-15e609
PLOT NUMBER: 01
PLOT TABLE: Standard-trans.tbl



USER NAME = whood	DESIGNED - KMA	REVISED -
CHECKED - RGD	REVISIONS -	
PLOT SCALE =	DRAWN - WJH	REVISED -
PLOT DATE = 3/23/2012	CHECKED - 3/26/12	REVISED -

CITY OF ROCKFORD

CULVERT TOP SLAB DETAILS
REED AVENUE OVER THE SOUTHEAST DRAINAGEWAY

M.S.	SECTION	COUNTY	TOTAL SHEETS	SHEET NO.
3634	09-00558-00-BR	WINNEBAGO	16	10
CONTRACT NO. 85562			ILLINOIS FED. AID PROJECT	

SHEET NO. S-3 OF S-5 SHEETS