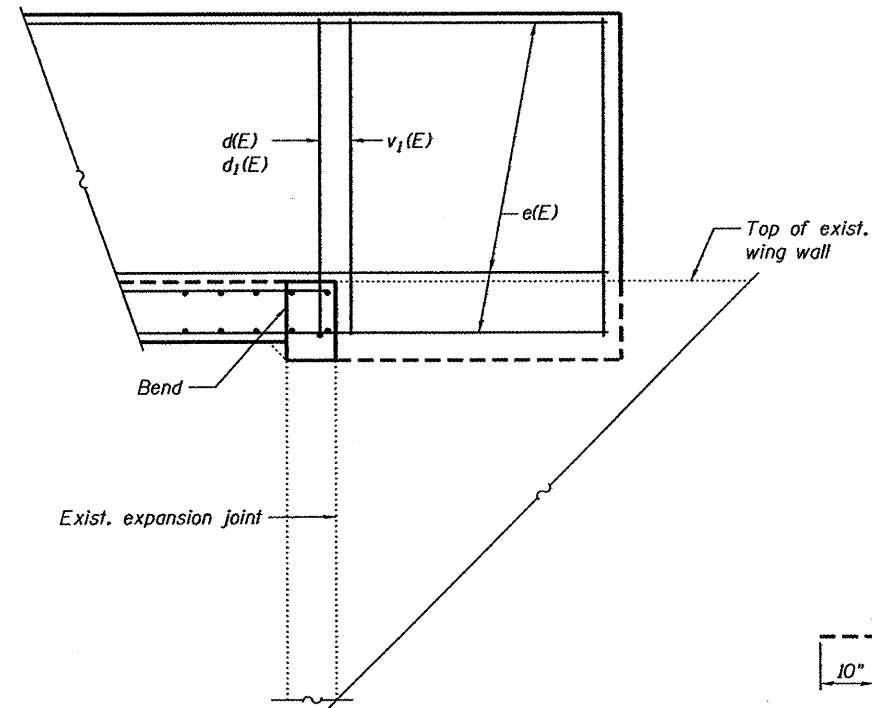
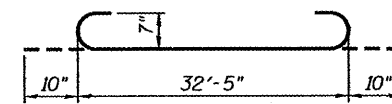


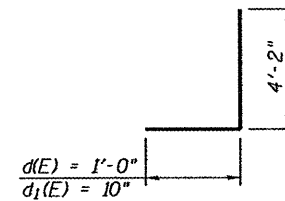
PLAN
Southeast corner shown
Other corners similar



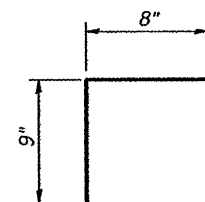
ELEVATION
Looking at front face
Sidewalk not shown for clarity



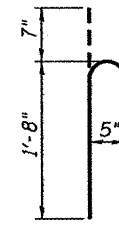
BAR a (E)



BARS d(E) & d1(E)



BAR d2(E)



BAR v

TYPICAL CORNER DETAIL

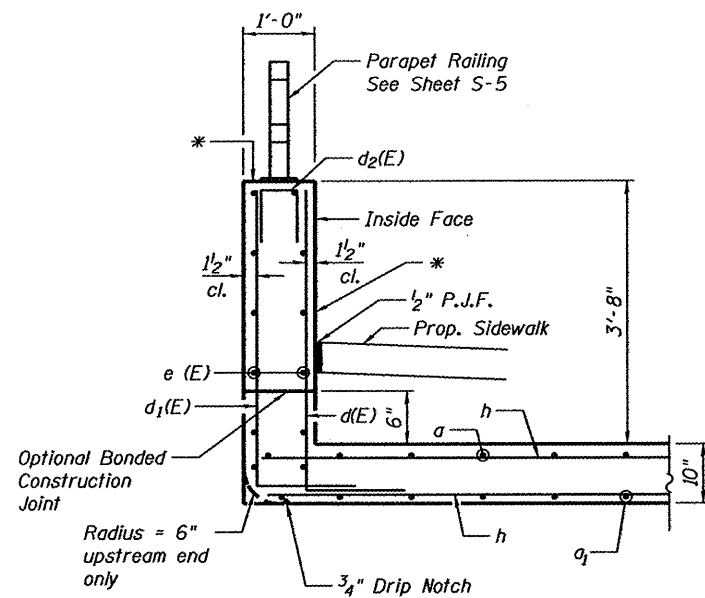
BILL OF MATERIAL

Bar	No.	Size	Length	Shape
a	61	#7	32'- 5"	—
a	61	#7	34'- 1"	⌋
d (E)	68	#6	5'- 2"	└
d1(E)	68	#4	5'- 0"	└
d2(E)	24	#4	2'- 2"	└
e (E)	48	#4	21'- 11"	—
h	88	#5	44'- 4"	—
v	180	#5	2'- 3"	└
v1(E)	32	#4	4'- 2"	—
Concrete Box Culverts			Cu. Yd.	56.9
Reinforcement Bars			Pound	12,780
Reinforcement Bars, Epoxy Coated			Pound	1,580
Protective Coat			Sq. Yd.	45

Bars indicated thus 1 x 15-#5 etc. indicates 1 line of bars with 15 lengths per line.

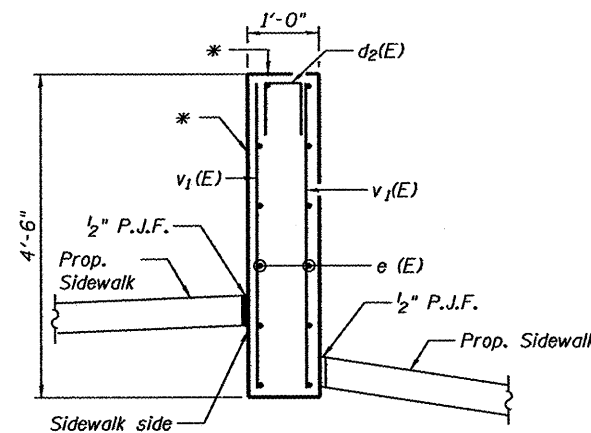
Notes:

- Existing reinforcement shall be cleaned and incorporated into the new construction. Cost included with Concrete Removal.



SECTION C-C

* Surface to receive Protective Coat, full length, each side of culvert.



SECTION D-D

* Surface to receive Protective Coat, full length, each side of culvert.

COMPANY NAME: HRGreen.com
 PROJECT: REED AVENUE OVER THE SOUTHEAST DRAINAGEWAY
 CLIENT: CITY OF ROCKFORD
 DATE PLOTTED: 3/23/2012 10:50:00 PM
 FILE NAME: 09-00558-00-01.dgn
 PLOT DRIVER: plot.plt
 PEN TABLE: standard-trans.tbl



USER NAME = whood	DESIGNED - KMA	REVISED -
	CHECKED - RGD	REVISED -
PLOT SCALE =	DRAWN - WJH	REVISED -
PLOT DATE = 3/23/2012	CHECKED - 3/26/12	REVISED -

CITY OF ROCKFORD

CULVERT DETAILS
REED AVENUE OVER THE SOUTHEAST DRAINAGEWAY

SHEET NO. S-4 OF S-5 SHEETS

M.S.	SECTION	COUNTY	TOTAL SHEETS	SHEET NO.
3634	09-00558-00-BR	WINNEBAGO	16	11
CONTRACT NO. 85562			ILLINOIS FED. AID PROJECT	