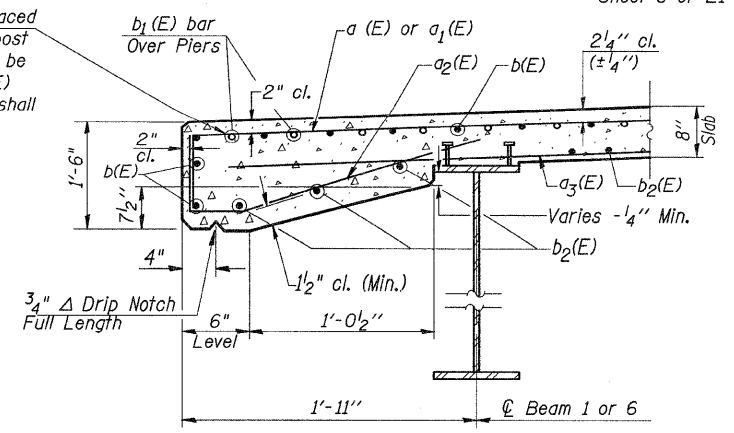


* Order a(E) & a₃(E) bars full length. Cut to fit skew and use remainder of bars in opposite end of slab.

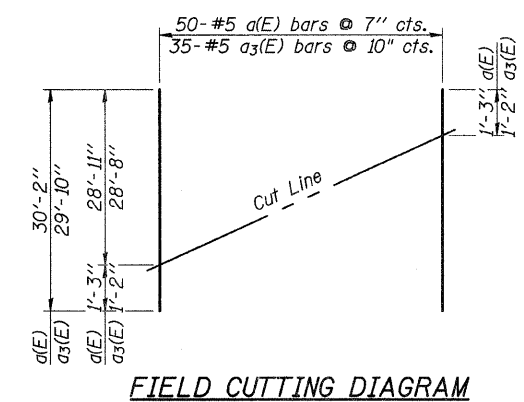
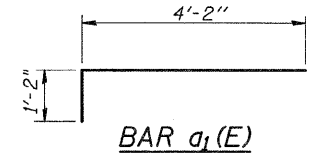
Reinforcement bars in the top of the deck shall be placed with a 2" minimum clearance in the area of the rail post anchor devices. The studs of the anchor device shall be placed below the top reinforcement bars a(E) and a₁(E) and the outermost longitudinal reinforcement bar b(E) shall be placed directly above the anchor device studs.



SECTION THRU EDGE OF SLAB

MIN. BAR LAPS

- #5 2'-6"
- #6 3'-4"



FIELD CUTTING DIAGRAM

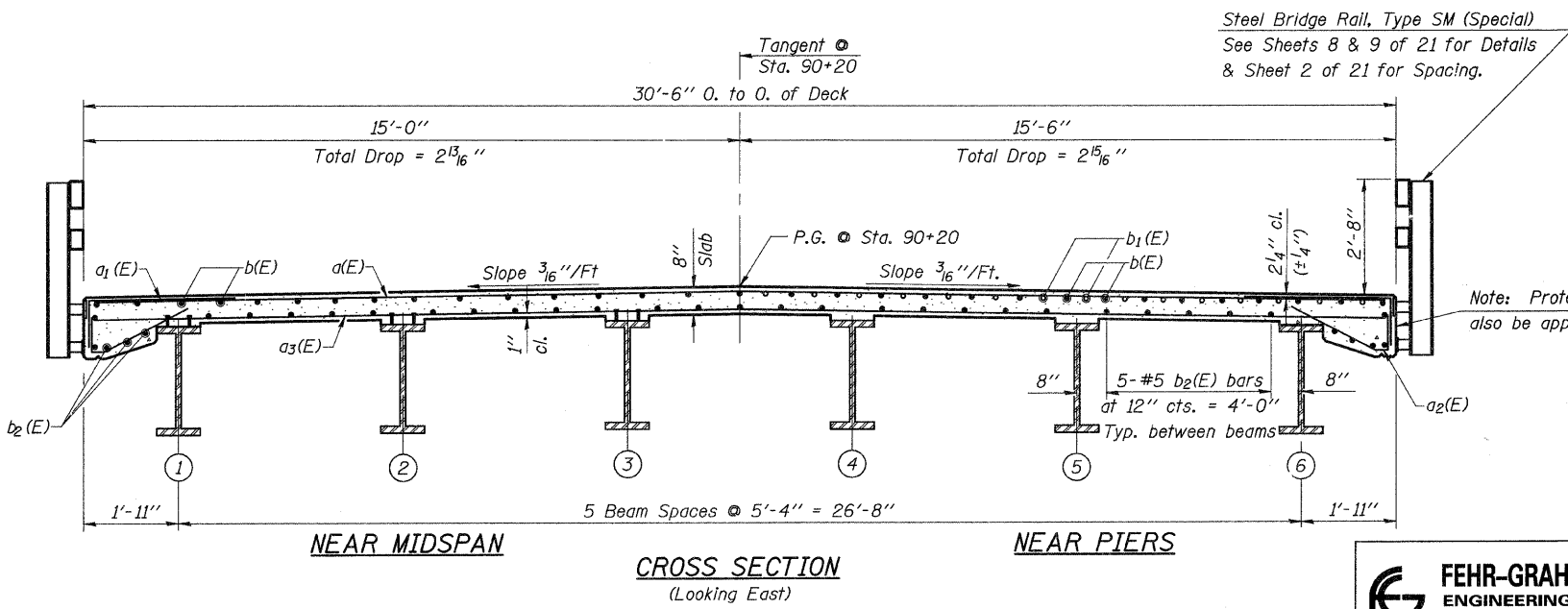
SUPERSTRUCTURE BILL OF MATERIAL

Bar	No.	Size	Length	Shape
a (E)	250	#5	30'-2"	—
a ₁ (E)	500	#6	5'-4"	┌
a ₂ (E)	252	#5	3'-6"	✓
a ₃ (E)	175	#5	29'-10"	—
a ₄ (E)	4	#5	42'-8"	—
b(E)	210	#5	26'-9"	—
b ₁ (E)	60	#6	32'-0"	—
b ₂ (E)	217	#5	23'-3"	—
m (E)	10	#6	42'-8"	—
m ₁ (E)	24	#6	11'-0"	—
m ₂ (E)	10	#6	7'-3"	—
m ₃ (E)	4	#6	2'-3"	—
s(E)	72	#5	5'-5"	┐
s ₁ (E)	62	#4	8'-10"	┌
Protective Coat		Sq. Yd.	550	
Conc. Superstructure		Cu. Yd.	138.4	
Reinforcement Bars, Epoxy Coated		Pound	34,350	
Bridge Deck Grooving		Sq. Yd.	466	

Bars indicated thus 31x6-#5 etc. indicates 31 lines of bars with 6 lengths per line.

Work this Sheet with Sheet 7 of 21.

SUPERSTRUCTURE S.N. 038-4558



NEAR MIDSPAN

CROSS SECTION (Looking East)

NEAR PIERS

Note: Protective Coat shall also be applied to Deck Fascias.

DESIGNED	A.L.S.
CHECKED	A.R.K.
DRAWN	S.A.P.
CHECKED	A.L.S. & A.R.K.

FEHR-GRAHAM & ASSOCIATES, LLC
ENGINEERING AND SCIENCE CONSULTANTS
FREEPORT, IL ROCKFORD, IL ROCHELLE, IL MONROE, WI SPRINGFIELD, IL

TWP. RTE.	SECTION	COUNTY	TOTAL SHEETS	SHEET NO.
55B	07-16121-00-BR	IROQUOIS	33	10
MARTINTON ROAD DIST. ILLINOIS			CONTRACT NO. 87487	
4440 ASH GROVE SPRINGFIELD, IL 62711 (217)-793-8600 www.fehr-graham.com			F.A. PROJ. BROS-075(145)	