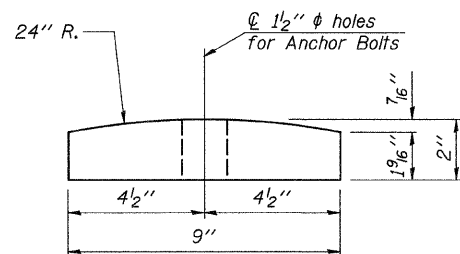


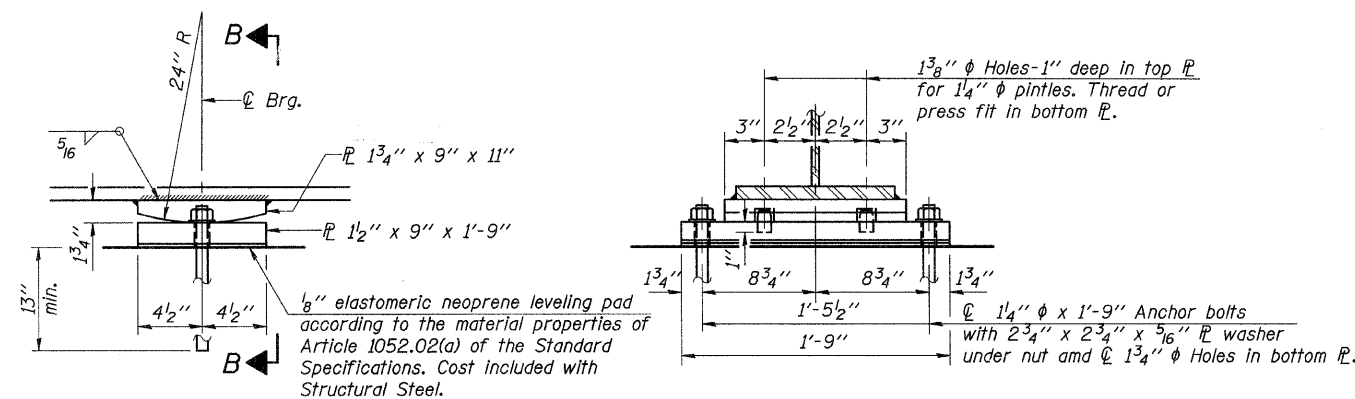
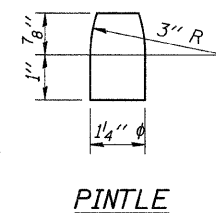
1/8" elastomeric neoprene leveling pad according to Article 1052.02(a) of the Standard Specifications. Cost included with Structural Steel.

1" ϕ x 1'-4" anchor bolts with 2 1/4" x 2 1/4" x 5/16" PL washer under nut. 1 3/8" x 2" slotted hole in flange. 1 1/2" ϕ holes in bearing plate.

ABUTMENT BEARING
(12 Required)
Weight included with Structural Steel.



BEARING PLATE DETAIL



1/8" elastomeric neoprene leveling pad according to the material properties of Article 1052.02(a) of the Standard Specifications. Cost included with Structural Steel.

1 3/8" ϕ Holes-1" deep in top PL for 1 1/4" ϕ pintles. Thread or press fit in bottom PL.

1 1/4" ϕ x 1'-9" Anchor bolts with 2 3/4" x 2 3/4" x 5/16" PL washer under nut and 1 3/4" ϕ Holes in bottom PL.

FIXED BEARING
(12 Required)
Weight included with Structural Steel.

Notes: Two 1/8" adjusting shims, of the dimension of the bottom bearing plate, shall be provided for each bearing in addition to all other plates or shims.

Anchor bolts shall be ASTM F1554 Grade 36, all-thread of the diameter(s) specified. ASTM A307 Grade C anchor bolts may be used in lieu of ASTM F1554 Grade 36 (Fy=36 ksi). The corresponding specified grade of AASHTO M314 anchor bolts may be used in lieu of ASTM F1554.

Anchor bolts at piers may be either cast in place or installed in holes drilled after the supported member is in place.

Drilled and set anchor bolts shall be installed according to Article 521.06 of the Standard Specifications.

BILL OF MATERIAL

Item	Unit	Total
Anchor Bolts 1"	Each	24
Anchor Bolts 1 1/4"	Each	24

Work this Sheet with Sheets 10 & 11 of 21.

BEARING DETAILS
S.N. 038-4558

DESIGNED -	A.L.S.
CHECKED -	A.R.K.
DRAWN -	S.A.P.
CHECKED -	A.L.S. & A.R.K.

<p>FEHR-GRAHAM & ASSOCIATES, LLC ENGINEERING AND SCIENCE CONSULTANTS FREEPORT, IL ROCKFORD, IL ROCHELLE, IL MONROE, WI SPRINGFIELD, IL</p>	TWP. RTE.	SECTION	COUNTY	TOTAL SHEETS	SHEET NO.
	55B	07-16121-00-BR	IROQUOIS	33	16
4440 ASH GROVE SPRINGFIELD, IL 62711 (217)-793-8600 www.fehr-graham.com			MARTINTON ROAD DIST. ILLINOIS	CONTRACT NO. 87487 F.A. PROJ. BROS-075(145)	