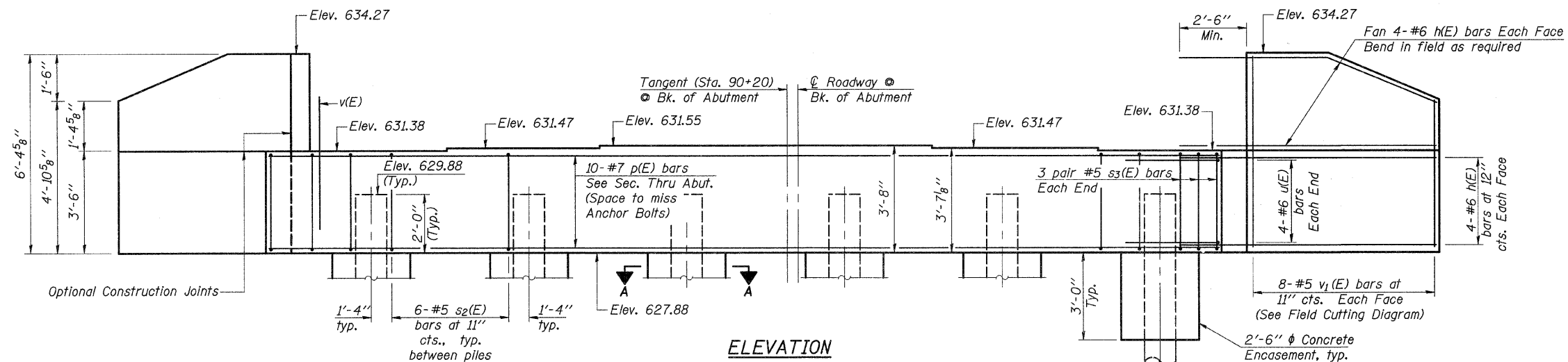
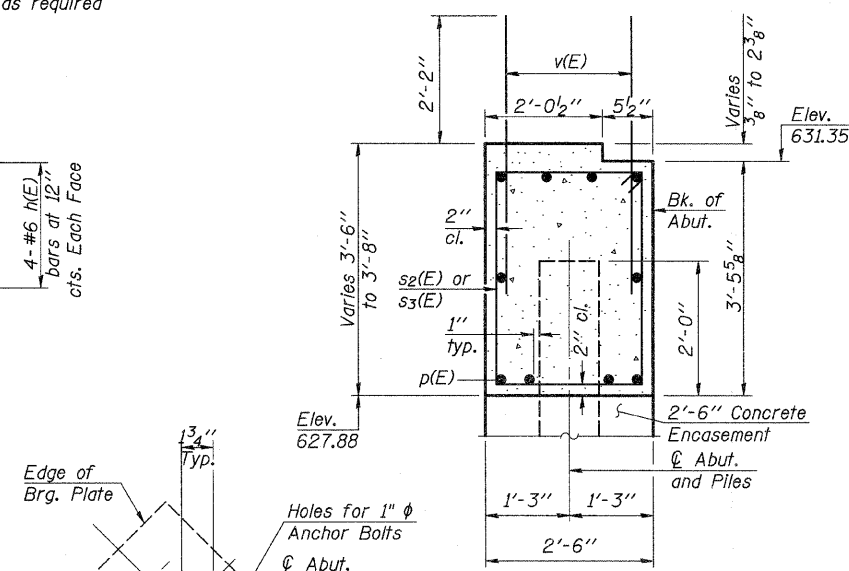


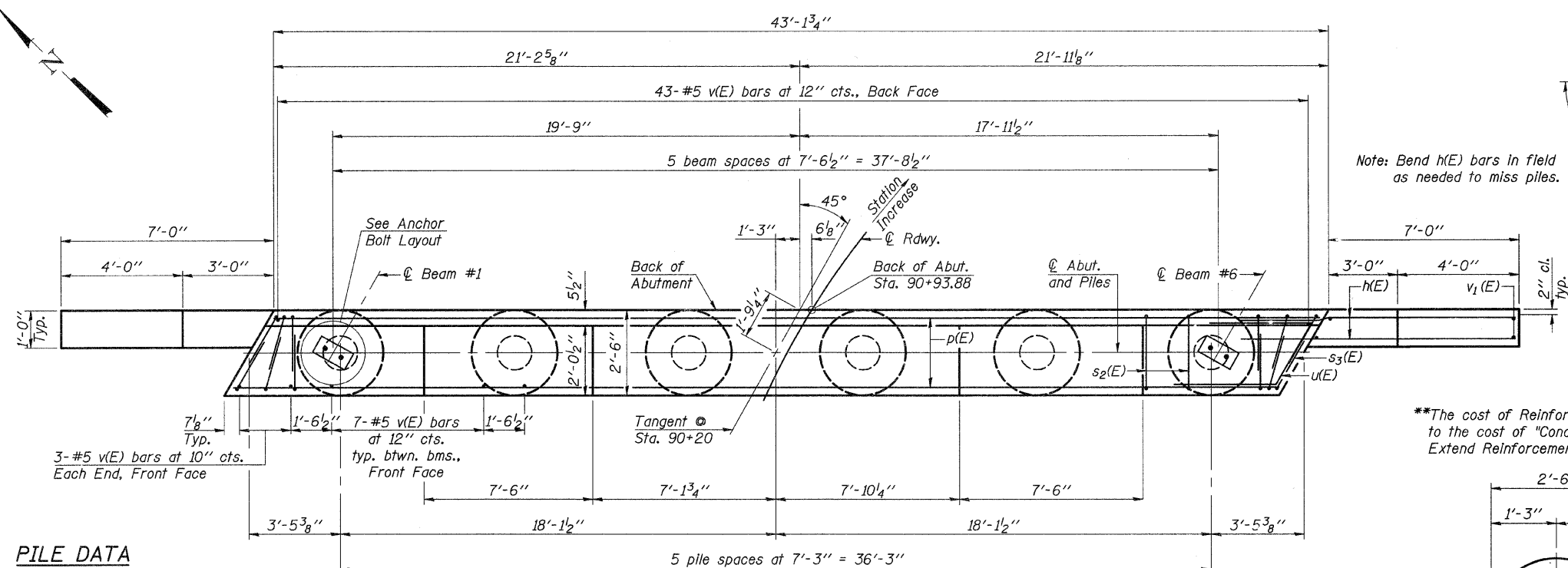
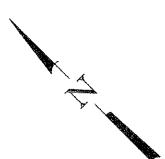
Notes: Pour steps monolithically with cap.



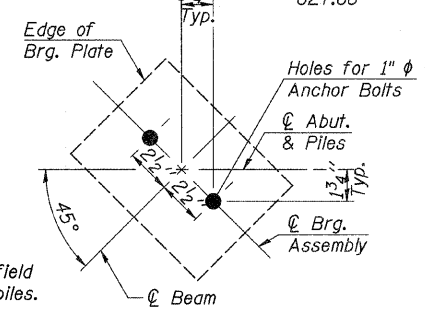
ELEVATION



SEC. THRU ABUT.



PLAN



ANCHOR BOLT LAYOUT

EAST ABUTMENT BILL OF MATERIAL

Bar	No.	Size	Length	Shape	
h(E)	32	#6	10'-6"	—	
p(E)	10	#7	42'-9"	—	
s2(E)	30	#5	11'-7"	□	
s3(E)	12	#5	7'-8"	□	
u(E)	8	#6	15'-1"	┘	
v(E)	84	#5	4'-4"	—	
v1(E)	16	#5	10'-9"	—	
Concrete Structures				Cu. Yd.	17.3
Reinforcement Bars, Epoxy Coated				Pound	2,580
Furnishing Metal Shell Piles, 12" x 0.250"				Foot	240
Driving Piles				Foot	240
Concrete Encasement				Cu. Yd.	3.3
Protective Coat				Sq. Yd.	6

For Pile Details see sheet 17 of 21.
Reinforcement Bars designated (E) shall be Epoxy Coated.

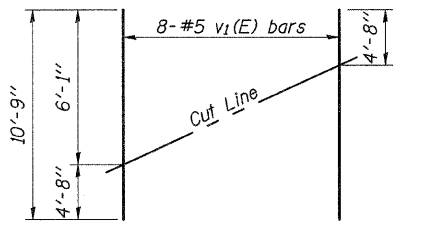
EAST ABUTMENT S.N. 038-4558

PILE DATA

(See Special Provisions)
Type: Metal Shell - 12" Dia. x 0.250 in. walls
No. Required: 6
Nominal Required Bearing: 220 k
Factored Resistance Available: 120 k
Est. Length: 40 Ft.

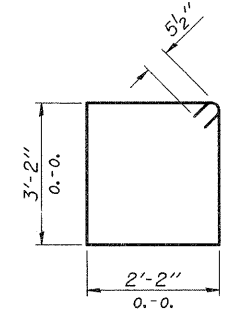
DESIGNED	A.L.S.
CHECKED	A.R.K.
DRAWN	S.A.P.
CHECKED	A.L.S. & A.R.K.

AI-R 11-1-06

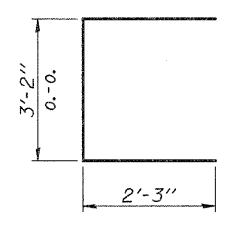


FIELD CUTTING DIAGRAM

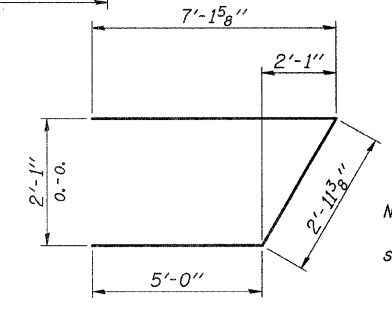
Order v1(E) full length. Cut as shown and use remainder of bars in opposite face.



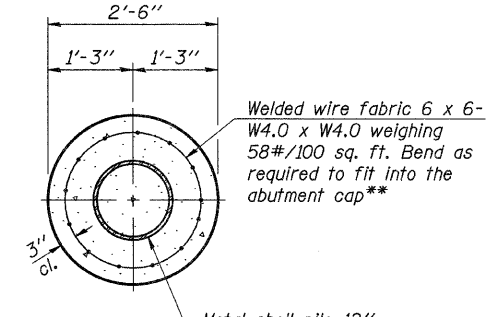
BAR s2(E)



BAR s3(E)



BAR u(E)



SECTION A-A PILE ENCASEMENT DETAIL

Note: Forms for encasement may be omitted when soil conditions permit.

**The cost of Reinforcement is incidental to the cost of "Concrete Encasement". Extend Reinforcement 2'-0" into cap.

FEHR-GRAHAM & ASSOCIATES, LLC
ENGINEERING AND SCIENCE CONSULTANTS
FREEPORT, IL ROCKFORD, IL ROCHELLE, IL MONROE, WI SPRINGFIELD, IL

TWP. RTE.	SECTION	COUNTY	TOTAL SHEETS	SHEET NO.
55B	07-16121-00-BR	IROQUOIS	33	18
MARTINTON ROAD DIST. ILLINOIS			CONTRACT NO. 87487	
4440 ASH GROVE SPRINGFIELD, IL 62711 (217)-793-8600 www.fehr-graham.com			F.A. PROJ. BROS-075(145)	