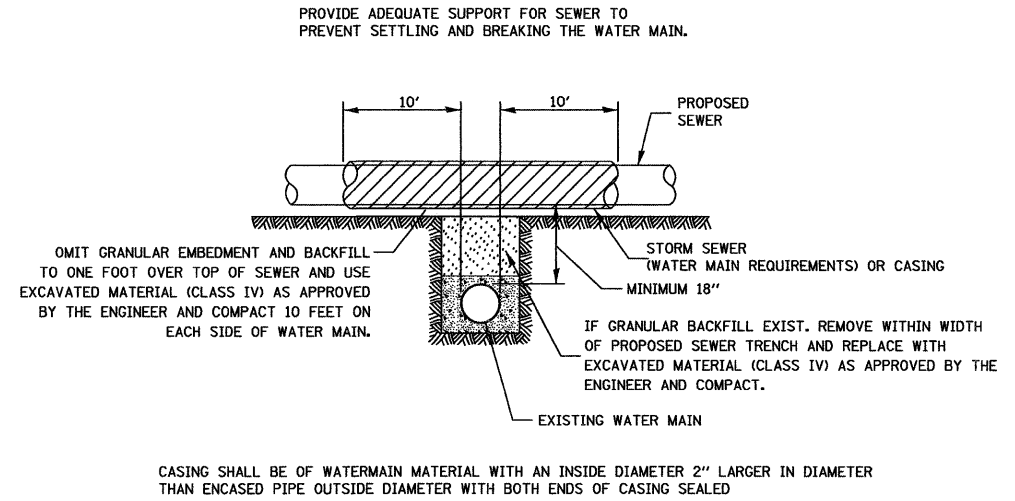


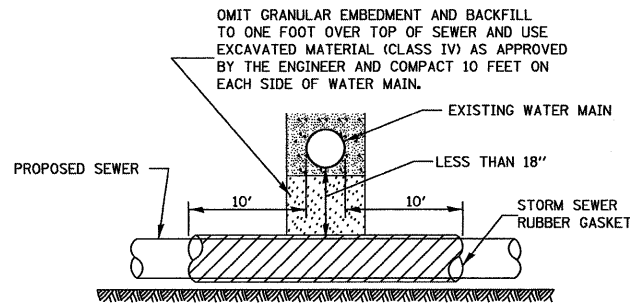
CASING SHALL BE CAST IRON WITH AN INSIDE DIAMETER 2" LARGER IN DIAMETER THAN ENCASED PIPE OUTSIDE DIAMETER WITH BOTH ENDS OF CASING SEALED

AT GRADE CROSSING OF SANITARY AND STORM SEWER



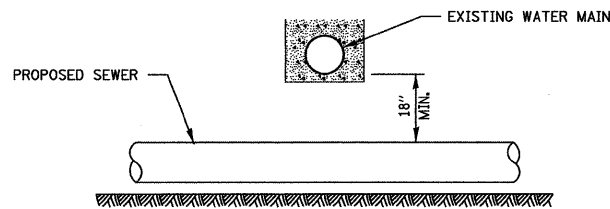
PROPOSED SEWER LINE WITH MINIMUM 18" VERTICAL SEPARATION ABOVE EXISTING WATERMAIN

POINT LOADS SHALL NOT BE ALLOWED BETWEEN SEWER OR SEWER CASING AND WATER MAIN  
 PROVIDE ADEQUATE SUPPORT FOR EXISTING WATER MAIN TO PREVENT DAMAGE DUE TO SETTLEMENT OF SEWER TRENCH



PROVIDE ADEQUATE SUPPORT FOR EXISTING WATER MAIN TO PREVENT DAMAGE DUE TO SETTLEMENT OF SEWER TRENCH

MAINTAIN 18" MINIMUM VERTICAL SEPARATION FOR 10' HORIZONTALLY

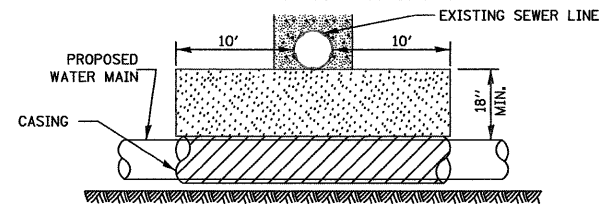


PROPOSED SEWER LINE BELOW EXISTING WATER MAIN

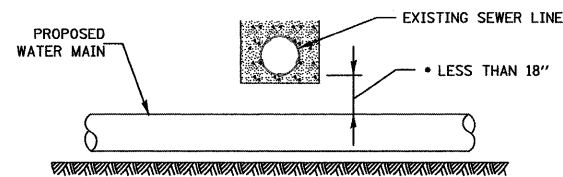
PROVIDE ADEQUATE SUPPORT FOR EXISTING SEWER LINE TO PREVENT DAMAGE DUE TO SETTLEMENT.

IF GRANULAR BACK FILL EXISTS, REMOVE WITHIN WIDTH OF EXISTING SEWER TRENCH AND REPLACE WITH EXCAVATED MATERIAL (CLASS IV) AS APPROVED BY THE ENGINEER AND COMPACT.

OMIT GRANULAR EMBEDMENT AND BACKFILL TO ONE FOOT OVER TOP OF WATER MAIN AND USE EXCAVATED MATERIAL (CLASS IV) AS APPROVED BY THE ENGINEER AND COMPACT FOR 10' EITERSIDE OF SEWER LINE.



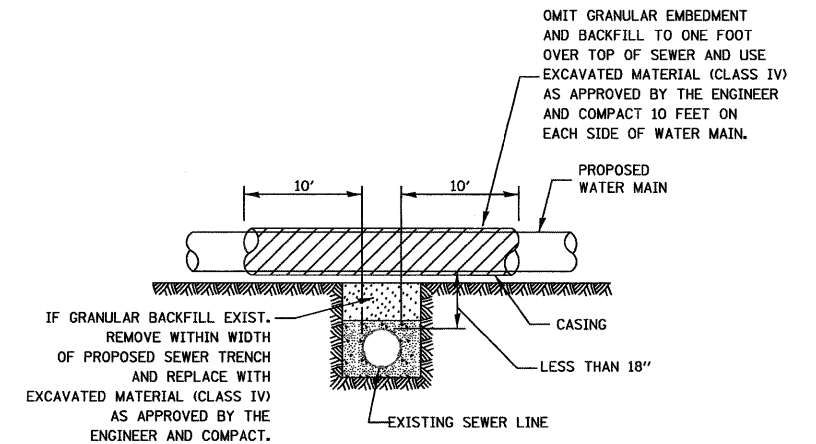
CASING SHALL BE OF WATER MAIN MATERIAL WITH AN INSIDE DIAMETER 2" LARGER IN DIAMETER THAN ENCASED PIPE OUTSIDE DIAMETER WITH BOTH ENDS OF CASING SEALED



NOT ALLOWED  
 MUST MAINTAIN 18" VERTICAL SEPARATION

PROPOSED WATER MAIN BELOW EXISTING SEWER LINE

POINT LOADS SHALL NOT BE ALLOWED BETWEEN WATER MAIN CASING AND SEWER



CASING SHALL BE OF WATERMAIN MATERIAL WITH AN INSIDE DIAMETER 2" LARGER IN DIAMETER THAN ENCASED PIPE OUTSIDE DIAMETER WITH BOTH ENDS OF CASING SEALED

PROPOSED WATER MAIN ABOVE EXISTING SEWER LINE

CHAMLIN & ASSOCIATES, INC. © 2011 Drawing Name: G:\Users\jvk\OneDrive\Projects\113-Env-Survey\CAD\3D\PLANS-EXTENDED\016-DETS.dwg Last Modified: Feb 06, 2012 - 10:18am Plotted on: Mar 28, 2012 - 1:18pm by nencic

DRAWN BY: NV	REVISIONS			
CHECKED BY: JKC	LEVEL	BY	DATE	DESCRIPTION
DATE: 02/12				

**CHAMLIN & ASSOCIATES**  
 PERU MORRIS ILLINOIS

FAS 301 / FAU 383  
 SECTION 11-00007-00-WR  
 VILLAGE OF DIAMOND  
 GRUNDY AND WILL COUNTIES

DETAILS

CONSTRUCTION PLANS

CONTRACT NO. 87520

CURRENT AS OF: 02/12	
SCALE: AS NOTED	SHEET 60
FILE NO.: 68022.01 Y-	OF 96

563-4