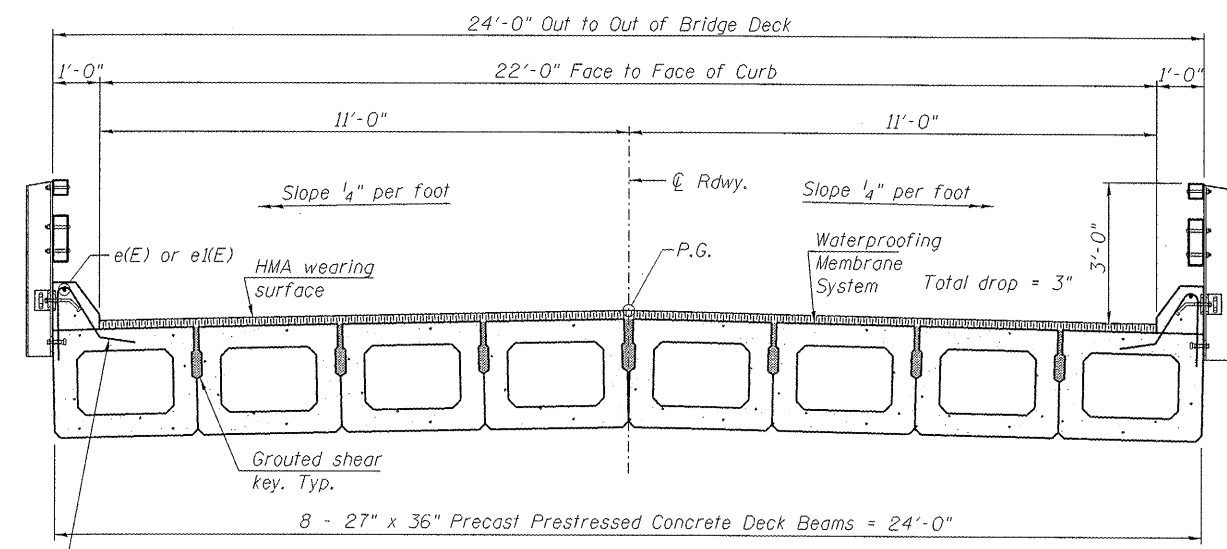
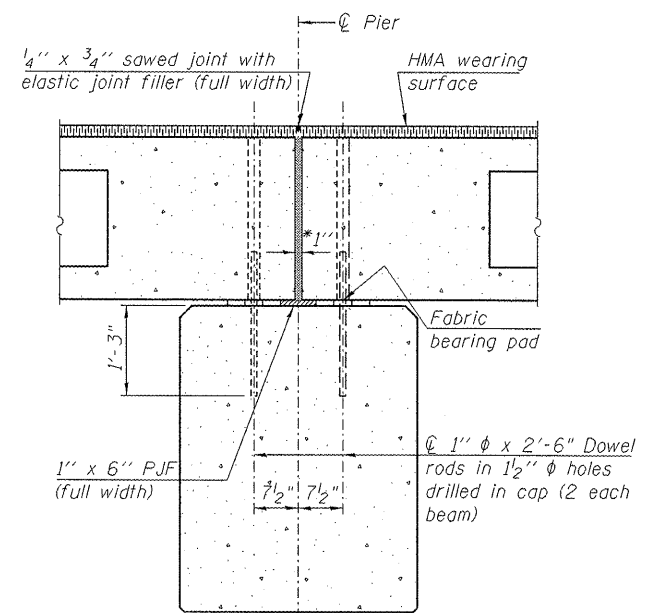
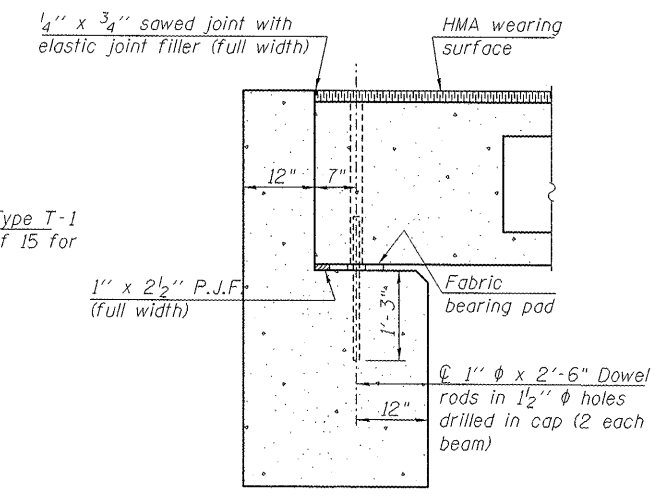


MINIMUM BAR LAP
 #6 bar 3'-0"

PLAN



CROSS SECTION
 (Looking North)



Notes:
 See sheet 4 of 15 for Superstructure Details and Bill of Material.

*1" Jt. shall be filled with non-shrink grout. 1" dimension may vary to accommodate tolerance in beam lengths.

FILE NAME =	USER NAME =	DESIGNED - MNM	REVISD -	STATE OF ILLINOIS DEPARTMENT OF TRANSPORTATION	SUPERSTRUCTURE STRUCTURE NO. 048-9927	F.A. RTE.	SECTION	COUNTY	TOTAL SHEETS	SHEET NO.	
		CHECKED - JGT	REVISD -			TR 176	05-15103-00-BR	KNOX	97	29	
		DRAWN - Rod	REVISD -			CONTRACT NO. 89429					
		CHECKED - TEH	REVISD -			SHEET NO. 03 OF 15 SHEETS					
						ILLINOIS FED. AID PROJECT BROS 0095 128					