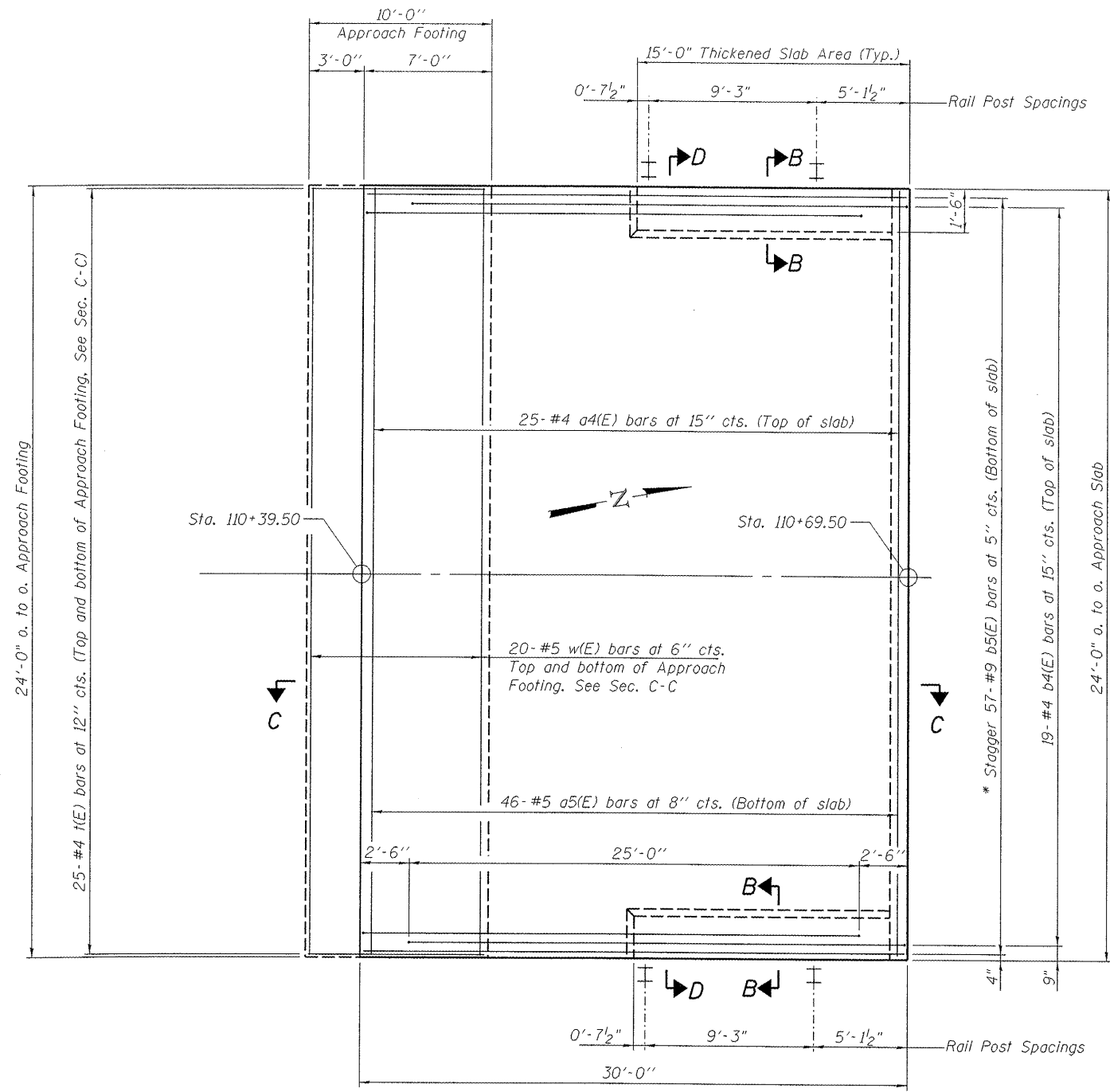
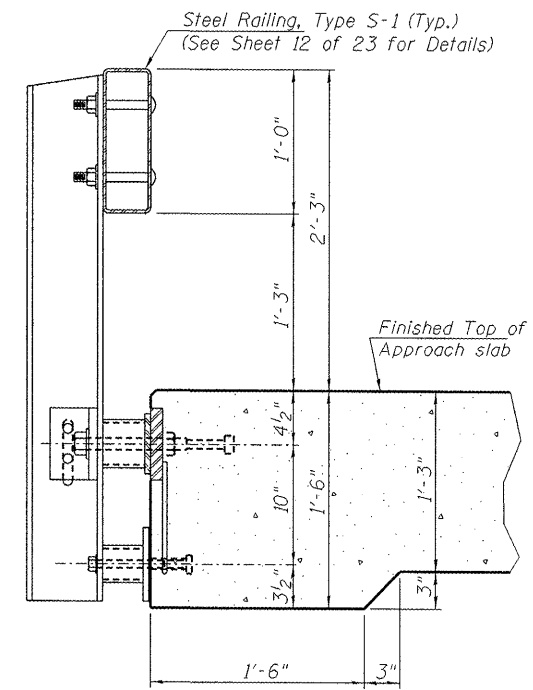


Notes:  
 See sheet 11 of 23 for Sections C-C and D-D.  
 a4(E) and a5(E) bar spacings measured along  $\hat{C}$  Rdwy.



**SOUTH APPROACH SLAB PLAN**

\* Tilt #9 b5(E) bars as required to maintain clearance.



**SECTION B-B**

FILE NAME =	USER NAME =	DESIGNED - JGT	REVISED -	<b>STATE OF ILLINOIS DEPARTMENT OF TRANSPORTATION</b>	<b>BRIDGE APPROACH SLAB DETAILS (SHEET 1 OF 3) STRUCTURE NO. 048-3387</b>	F.A. RTE.	SECTION	COUNTY	TOTAL SHEETS	SHEET NO.
		CHECKED - MNM	REVISED -			TR 176	05-15106-01-BR	KNOX	97	50
		DRAWN - Rod	REVISED -			CONTRACT NO. 89429				
		PLOT DATE =	CHECKED - JGT			REVISED -	ILLINOIS FED. AID PROJECT BROS 0095 127			