

SECTION C-C

*** Cost included with Concrete Superstructure.

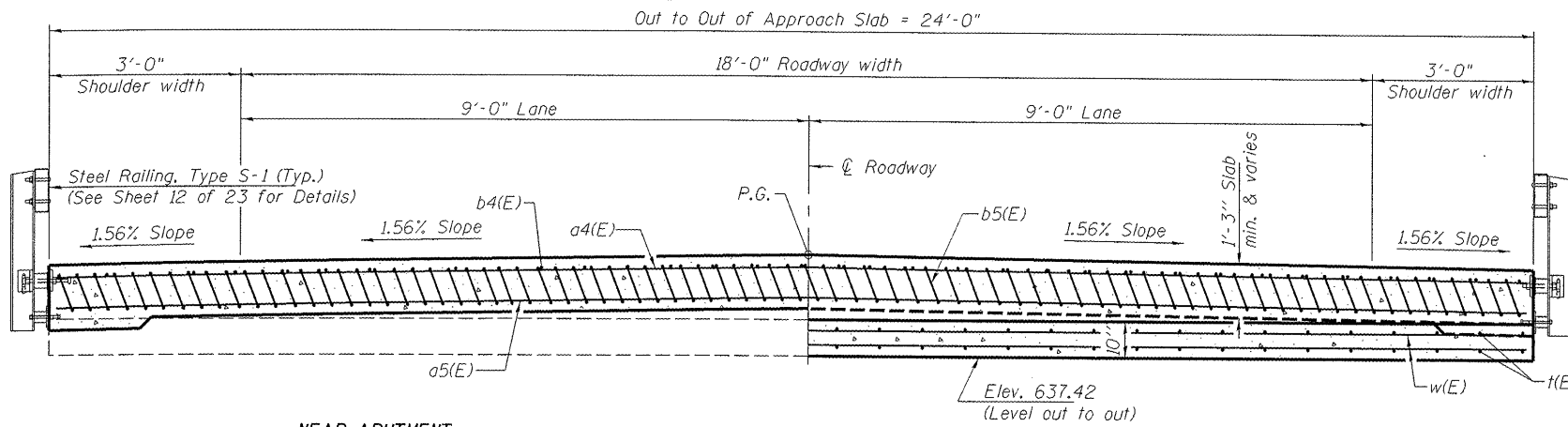
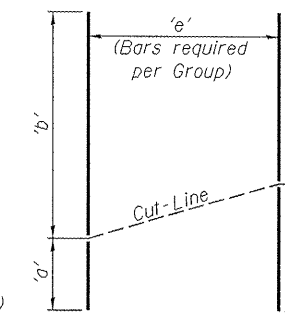
*** 10 mil. Polyethylene bond breaker on steel trowel finish

Notes:
 Approach slab concrete shall be paid for as Concrete Superstructure.
 Approach footing concrete shall be paid for as Concrete Structures.
 Reinforcement shall be paid for as Reinforcement Bars, Epoxy Coated.
 For v(E) bar Details, See Sheet 8 of 23.
 The approach footing maximum applied service bearing pressure (Omax) = 2.0 ksf.
 For bar splicer details, see sheet 18 of 23.
 Cost of excavation for approach footing included with Concrete Structures.
 For Porous Granular Embankment (Special) and drainage treatment details, see sheet 2 of 23.

FIELD CUTTING DIAGRAM and DIMENSION TABLE

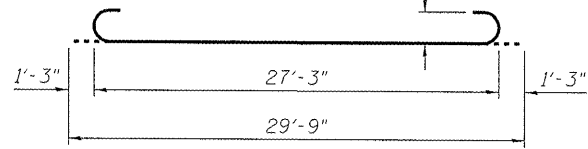
Order bars listed in the Table Pre-bent and full length. Cut as shown in the Diagram and use remainder of bars were indicated.

Bar	'a'	'b'	'c'	'd'	'e'
a6(E)	3'-11"	9'-9"	6'-8"	7'-0"	4
a7(E)	4'-0"	11'-0"	7'-1"	7'-11"	3
a8(E)	3'-11"	9'-9"	6'-8"	7'-0"	10
a9(E)	4'-0"	11'-0"	7'-1"	7'-11"	5
b6(E)	11'-9"	23'-2"	16'-10"	18'-1"	3
b7(E)	11'-9"	23'-2"	16'-10"	18'-1"	5
t(E)	3'-6"	9'-6"	6'-1"	6'-11"	4
w(E)	10'-3"	12'-4"	11'-1"	11'-6"	3
w2(E)	4'-7"	12'-3"	8'-2"	8'-8"	7

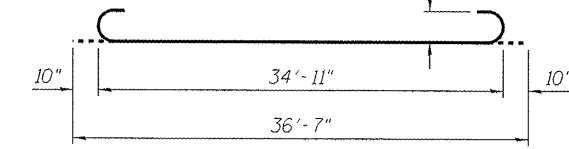


SECTION D-D

(See Plan on sheet 9 of 23 for dimensions not shown)

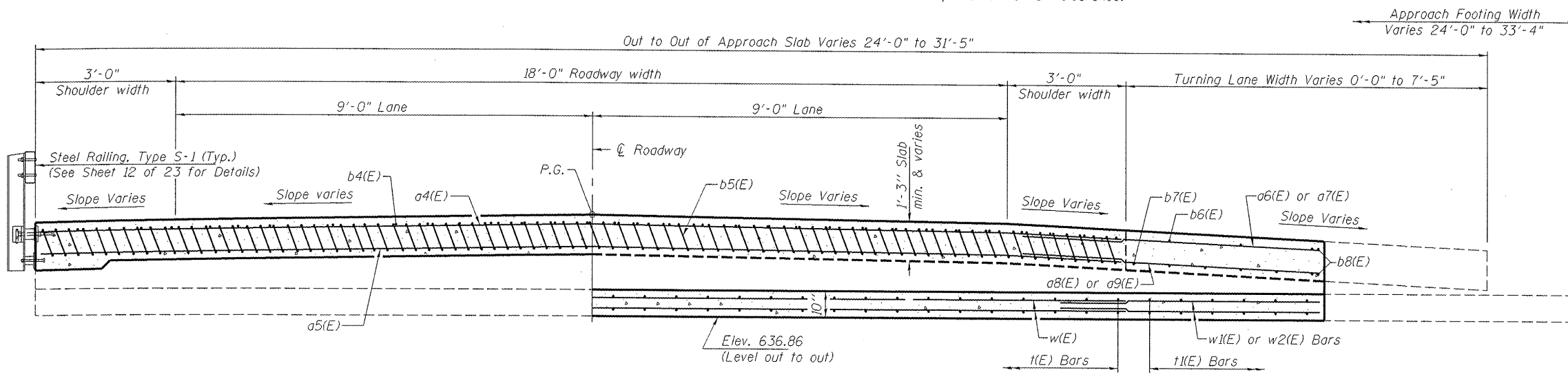


BAR b5(E)



BAR b7(E)

* Tilt #9 b5(E) bars as required to maintain clearance.



SECTION E-E

(See Plan on sheet 10 of 23 for dimensions not shown)

**TWO APPROACHES
BILL OF MATERIAL**

Bar	No.	Size	Length	Shape
a4(E)	50	#4	23'-8"	—
a5(E)	92	#5	23'-8"	—
a6(E)	4	#4	13'-8"	—
a7(E)	3	#4	15'-0"	—
a8(E)	10	#5	13'-8"	—
a9(E)	5	#5	15'-0"	—
a10(E)	2	#4	9'-6"	—
b4(E)	39	#4	29'-8"	—
b5(E)	116	#9	29'-9"	—
b6(E)	3	#4	34'-11"	—
b7(E)	5	#7	36'-7"	—
b8(E)	2	#4	21'-5"	—
t(E)	100	#4	9'-8"	—
t1(E)	8	#4	13'-0"	—
w(E)	80	#5	23'-8"	—
w1(E)	6	#5	22'-7"	—
w2(E)	14	#5	16'-10"	—
w3(E)	2	#5	10'-8"	—
w4(E)	2	#5	3'-9"	—
Concrete Superstructure		Cu. Yd.	75.3	
Concrete Structures		Cu. Yd.	16.7	
Reinforcement Bars, Epoxy Coated		Pound	19440	