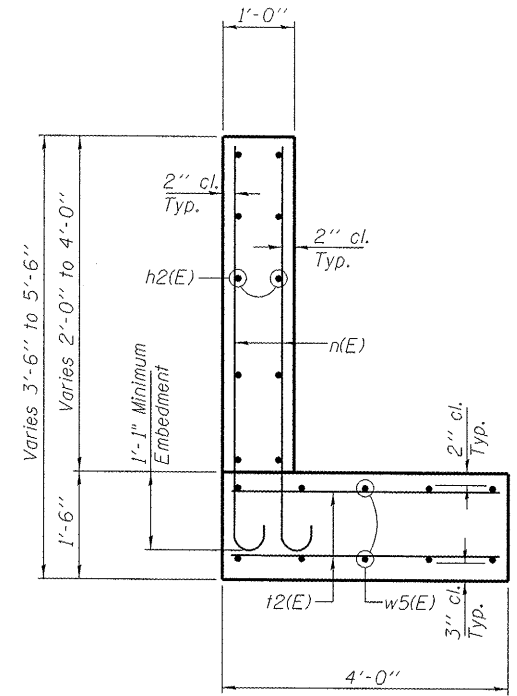
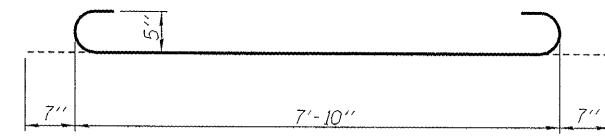


ELEVATION

*Cost included with Concrete Structures



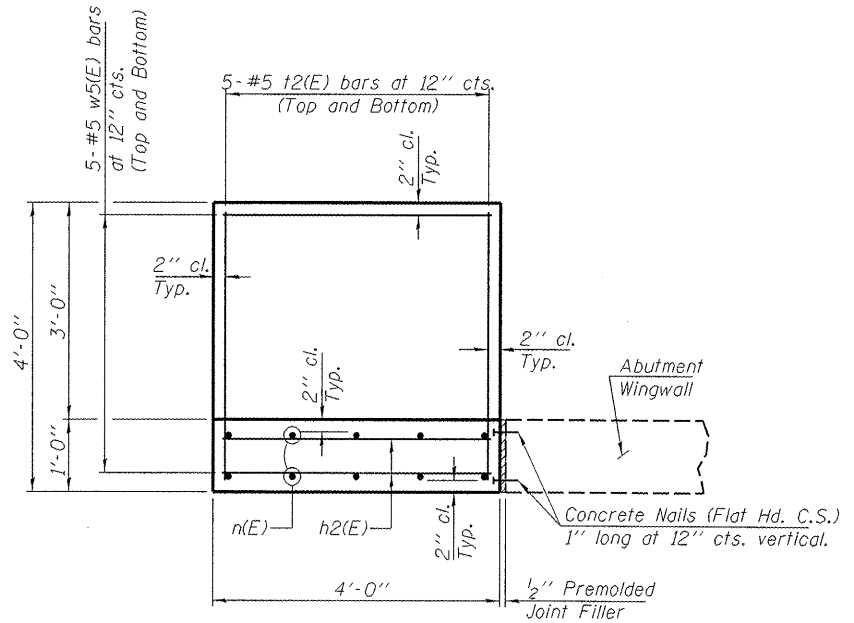
SECTION THRU WALL



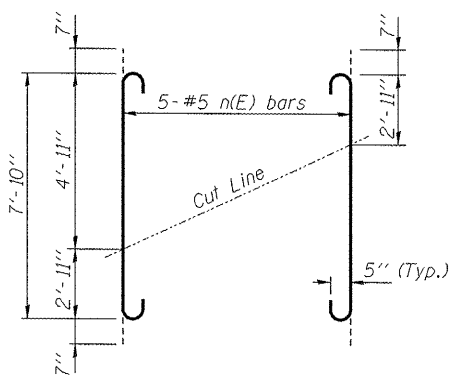
BAR n(E)
(See Field Cutting Diagram)

BILL OF MATERIAL
4 WINGWALL EXTENSIONS

Bar	No.	Size	Length	Shape
h2(E)	40	#5	3'-8"	—
n(E)	20	#5	9'-0"	U
12(E)	40	#5	3'-8"	—
w5(E)	40	#5	3'-8"	—
Structure Excavation		Cu. Yd.	21.0	
Concrete Structures		Cu. Yd.	5.3	
Reinforcement Bars, Epoxy Coated		Pound	650	



PLAN



FIELD CUTTING DIAGRAM
Order n(E) full length. Cut as shown and use remainder of bars in opposite face.