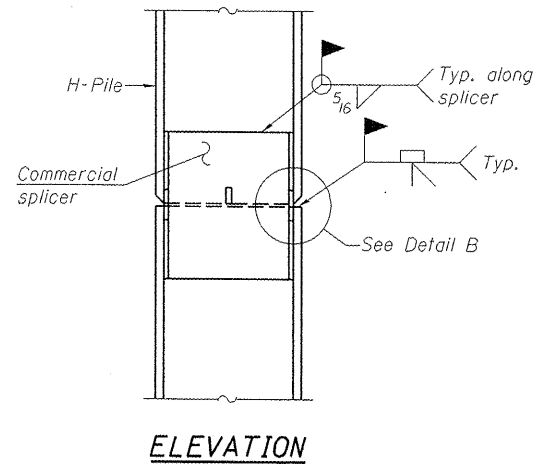
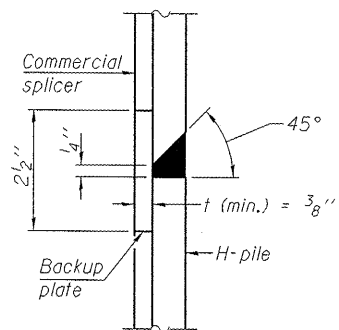


**STEEL PILE TABLE**

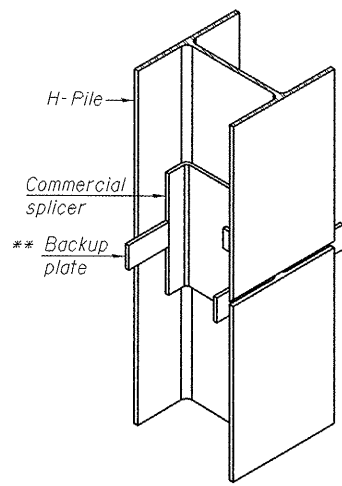
Designation	Depth d	Flange width br	Web and Flange thickness t	Encasement diameter A
HP 14x117	14 1/4"	14 7/8"	13/16"	30"
x102	14"	14 3/4"	1/16"	30"
x89	13 7/8"	14 3/4"	5/8"	30"
x73	13 5/8"	14 5/8"	1/2"	30"
HP 12x84	12 1/4"	12 1/4"	1/16"	24"
x74	12 1/8"	12 1/4"	5/8"	24"
x63	12"	12 1/8"	1/2"	24"
x53	11 3/4"	12"	7/16"	24"
HP 10x57	10"	10 1/4"	9/16"	24"
x42	9 3/4"	10 1/8"	7/16"	24"
HP 8x36	8"	8 1/8"	7/16"	18"



**ELEVATION**

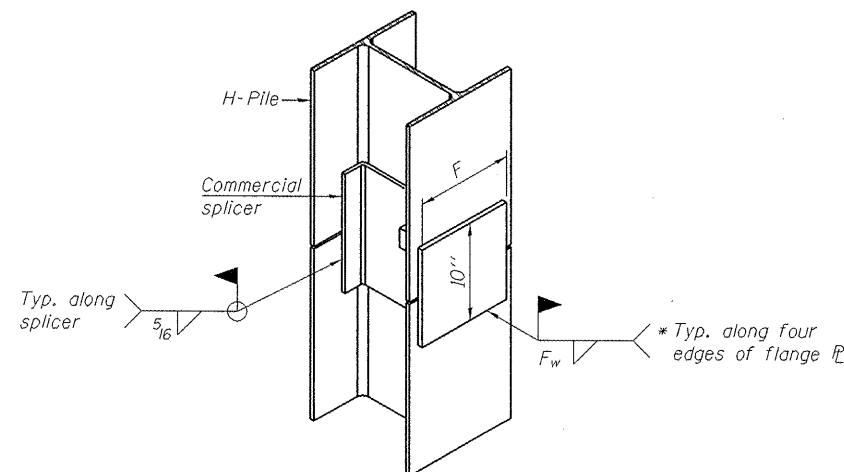


**DETAIL "B"**



**ISOMETRIC VIEW**

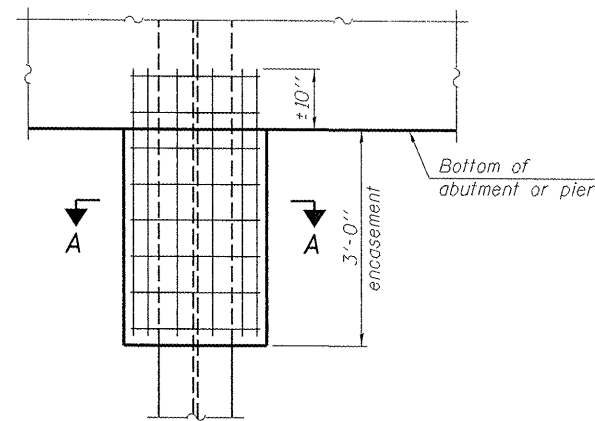
**WELDED COMMERCIAL SPLICE**



**ISOMETRIC VIEW**

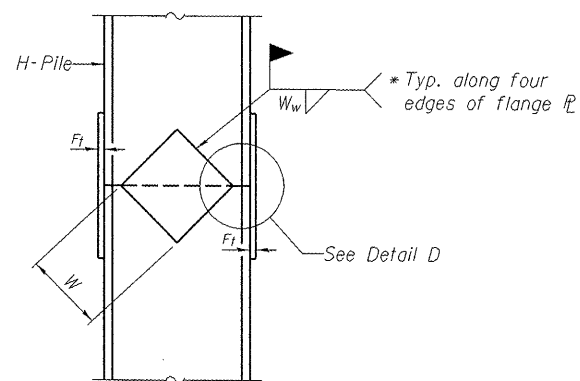
**WELDED COMMERCIAL SPLICE ALTERNATE**

- \* Interrupt welds 1/4" from end of web and/or each flange.
- \*\* Remove portions of backup plates that extend outside the flanges.
- \*\*\* Weld size per pile shoe manufacturer (5/16" min.).

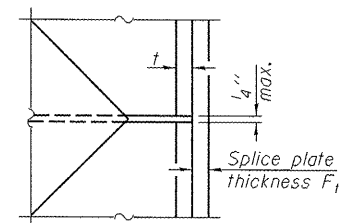


**ELEVATION**

**PILE ENCASEMENT**

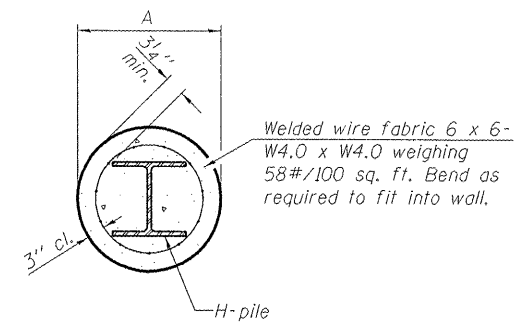


**ELEVATION**



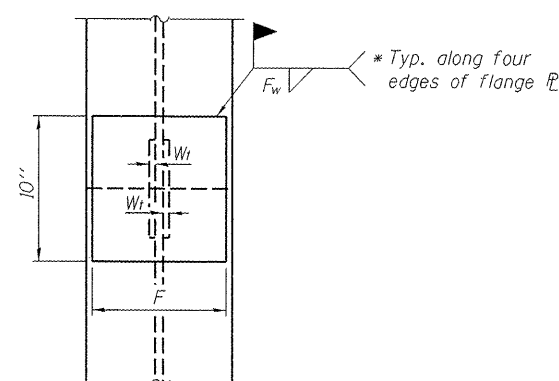
**DETAIL D**

**WELDED PLATE FIELD SPLICE**



Note:  
Forms for encasement may be omitted when soil conditions permit.

**SECTION A-A**



**END VIEW**

Designation	F	F <sub>t</sub>	F <sub>w</sub>	W	W <sub>t</sub>	W <sub>w</sub>
HP 14x117	12 1/2"	1"	7/8"	7 3/4"	5 5/8"	1 1/2"
x102	12 1/2"	7/8"	3/4"	7 3/4"	5 5/8"	1 1/2"
x89	12 1/2"	3/4"	1/16"	7 3/4"	5 5/8"	1 1/2"
x73	12 1/2"	5/8"	9/16"	7 3/4"	5 5/8"	1 1/2"
HP 12x84	10"	7/8"	1/16"	6 1/2"	5 5/8"	1 1/2"
x74	10"	7/8"	1/16"	6 1/2"	5 5/8"	1 1/2"
x63	10"	5/8"	1/2"	6 1/2"	1 1/2"	3/8"
x53	10"	5/8"	1/2"	6 1/2"	1 1/2"	3/8"
HP 10x57	8"	3/4"	9/16"	5 1/4"	1 1/2"	3/8"
x42	8"	5/8"	9/16"	5 1/4"	1 1/2"	3/8"
HP 8x36	7"	5/8"	7/16"	4 1/4"	1 1/2"	3/8"

Note:  
The steel H-piles shall be according to AASHTO M270 Grade 50.

F-HP

7-1-10

FILE NAME *	USER NAME *	DESIGNED - JGT	REVISIONS	STATE OF ILLINOIS DEPARTMENT OF TRANSPORTATION	HP PILE DETAILS STRUCTURE NO. 048-3387	F.A. RTE.	SECTION	COUNTY	TOTAL SHEETS	SHEET NO.	
		CHECKED - MNM	REVISIONS			TR 176	05-15106-01-BR	KNOX	97	60	
		DRAWN - DAP	REVISIONS			CONTRACT NO. 89429					
		CHECKED - JGT	REVISIONS			ILLINOIS FED. AID PROJECT BROS 0095 127					