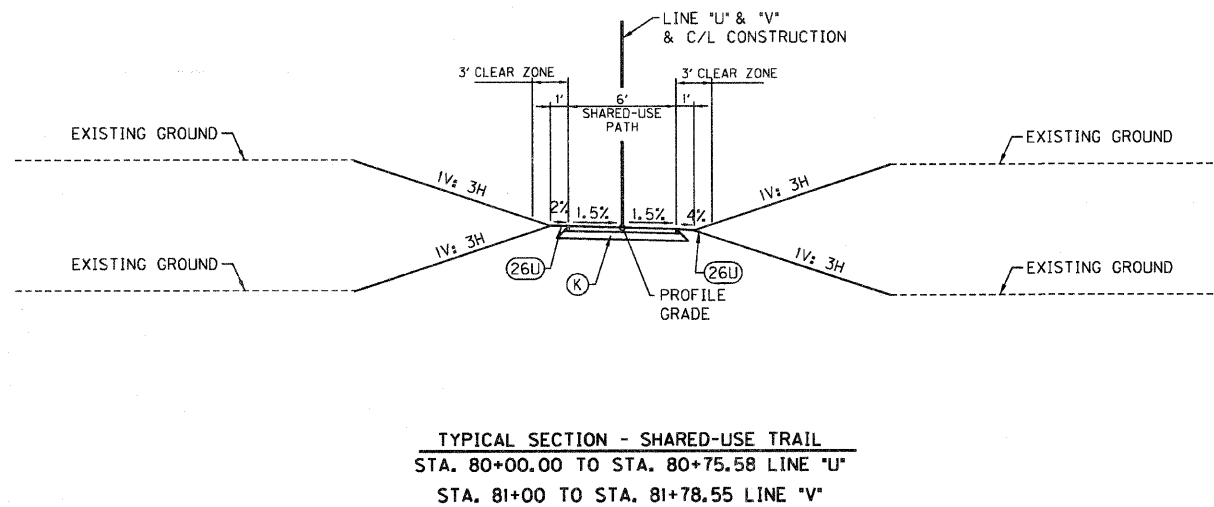


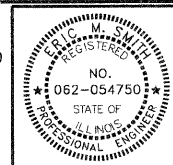
••STA. 13+50 TO 14+50 TRANSITION SLOPE TO MATCH TYPICAL



SA 2007-213-S Casey SRTS Design/Coord. Jip-Sec.dgn  
4/27/2012 REVISION 2.0 PDF.plt  
9:55:55 AM INDOT-TN

- (K) FULL DEPTH PAVEMENT  
3" HOT-MIX ASPHALT SURFACE COURSE, MIX 'C', N30  
(TO BE APPLIED IN TWO 1-1/2 LIFTS) ON  
AGGREGATE BASE COURSE, TYPE A 5'
- (26U) SEEDING, CLASS 1B

**MIX DESIGN**  
APPLICATION: HOT-MIX ASPHALT SURFACE COURSE, MIX 'C', N30  
PG GRADE: PG 64-22  
DESIGN AIR VOIDS: 4.0% @ NDESIGN = 30  
MIXTURE COMPOSITION: IL-9.5L  
FRICTION AGGREGATE: MIXTURE C



RECOMMENDED FOR APPROVAL	<i>E. M. Smith</i>	DESIGN ENGINEER	4/19/12
DESIGNED:	DWN	DRAWN:	DWN
CHECKED:	JAK	CHECKED:	RSH

ILLINOIS  
DEPARTMENT OF TRANSPORTATION  
**TYPICAL SECTIONS**

HORIZONTAL SCALE	BRIDGE FILE
AS SHOWN	SECTION NO.
VERTICAL SCALE	10-00030-00-SW
SURVEY BOOK	SHEETS
	3 of 33
CONTRACT	PROJECT
95676	2007-213