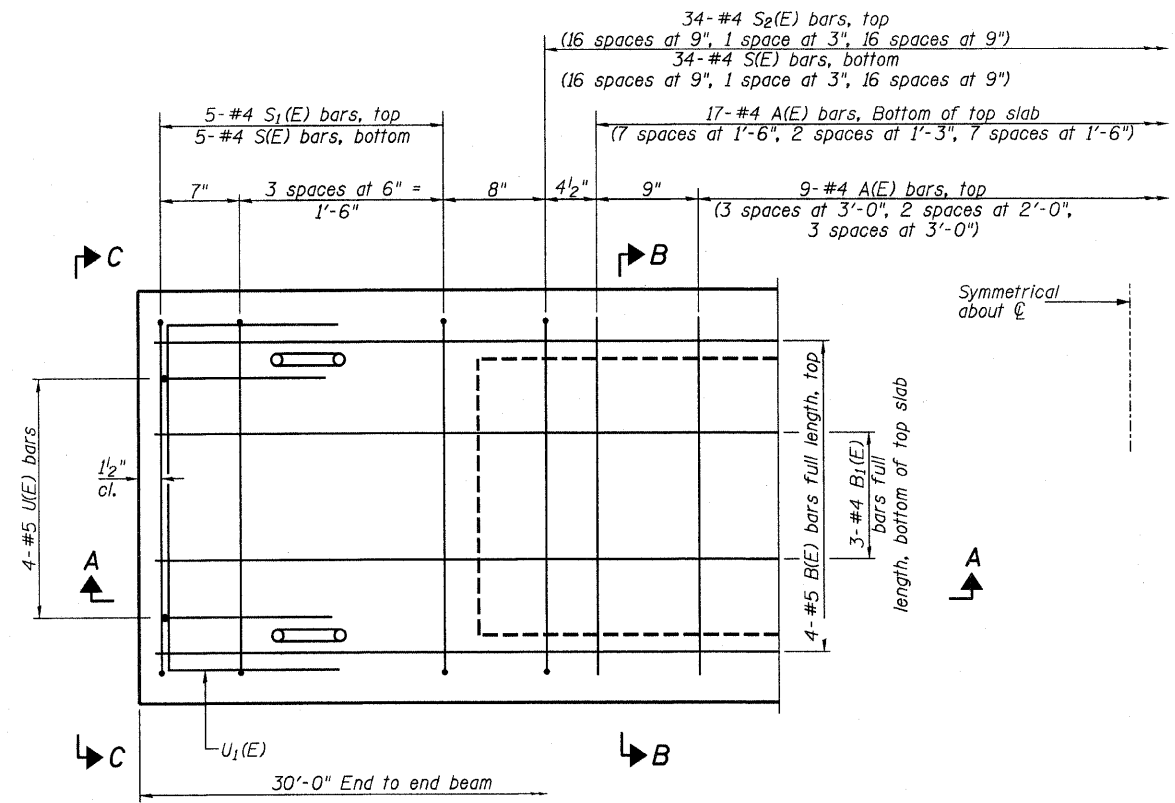


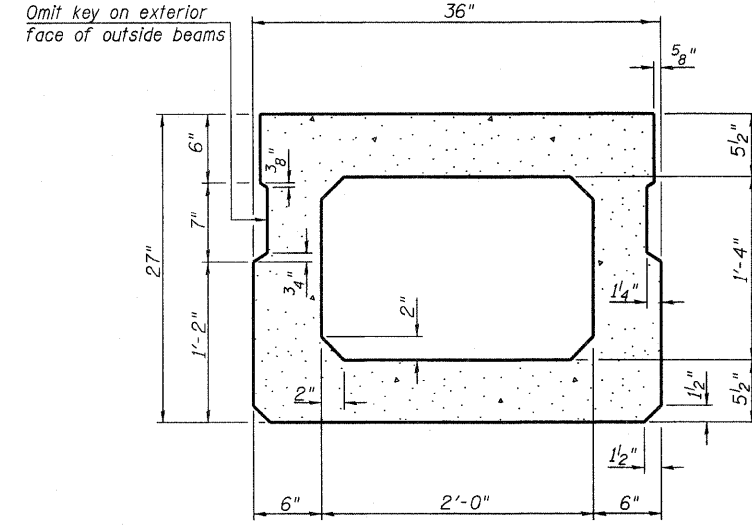
SECTION A-A



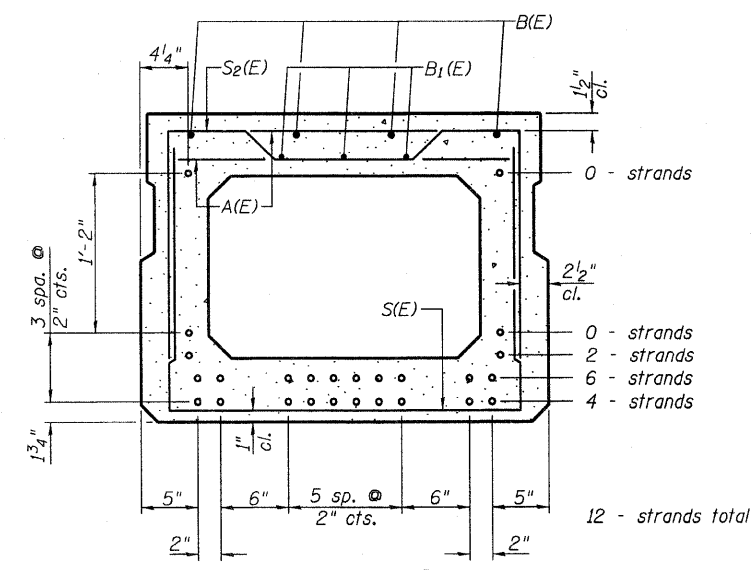
PLAN VIEW

Note: Spacing of S(E) and S2(E) bars may be adjusted up to 4" in the immediate area of the transverse tie diaphragms to miss the block outs for the transverse ties.

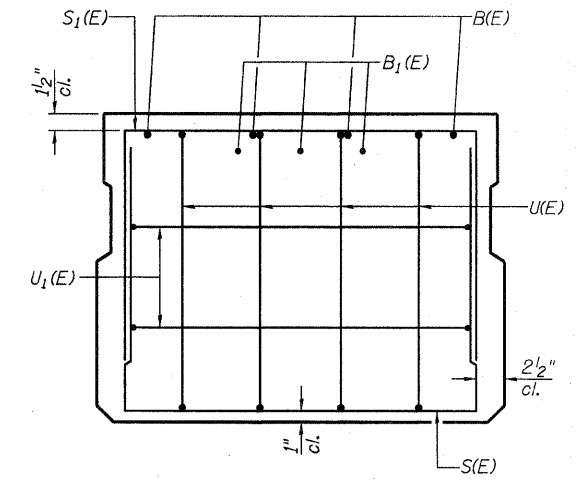
MINIMUM BAR LAP
 #4 bar = 2'-0"
 #5 bar = 2'-6"



SECTION B-B
(Showing dimensions)



SECTION B-B
(Showing reinforcement and permissible strand locations)
 Note: Place the number of strands specified in each row symmetrically about the centerline of beam in the permissible strand locations shown.



VIEW C-C

BAR LIST
ONE BEAM ONLY
 (For information only)

Bar	No.	Size	Length	Shape
A(E)	26	#4	2'-7"	—
B(E)	4	#5	29'-8"	—
B1(E)	3	#4	29'-8"	—
S(E)	44	#4	6'-5"	U
S1(E)	10	#4	5'-11"	U
S2(E)	34	#4	6'-2"	U
U(E)	8	#5	4'-6"	U
U1(E)	4	#4	5'-0"	U

Note: See Sheet 6 & 8 of 15 for additional details and Bill of Material.

SPAN 1 AND 3