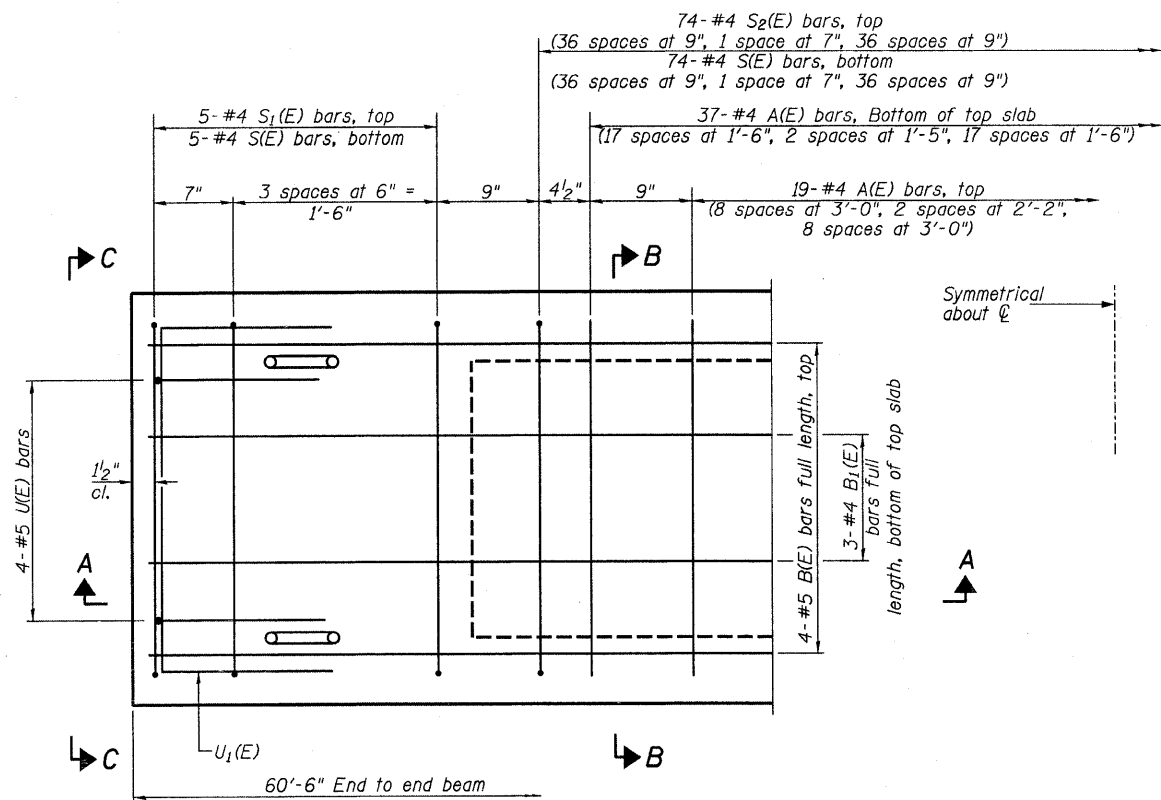


SECTION A-A

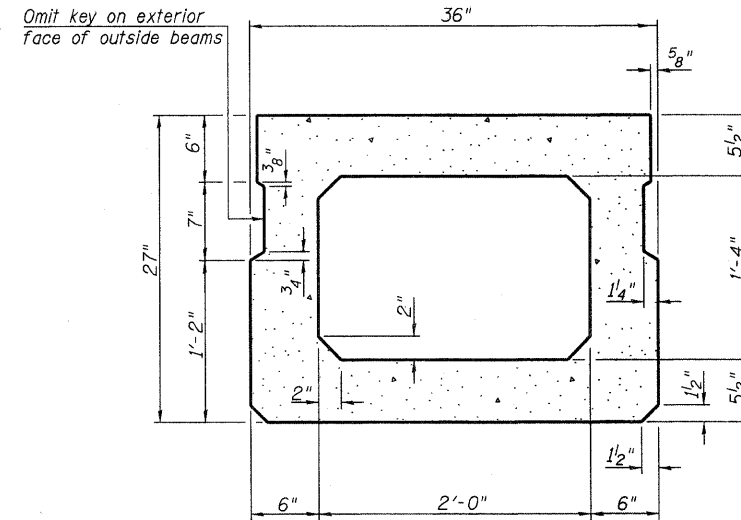


PLAN VIEW

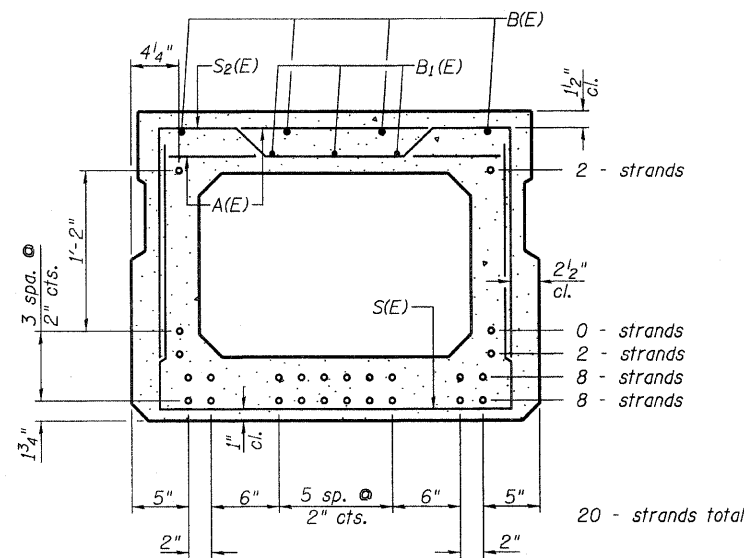
Note: Spacing of S(E) and S₂(E) bars may be adjusted up to 4" in the immediate area of the transverse tie diaphragms to miss the block outs for the transverse ties.

MINIMUM BAR LAP

#4 bar = 2'-0"
#5 bar = 2'-6"

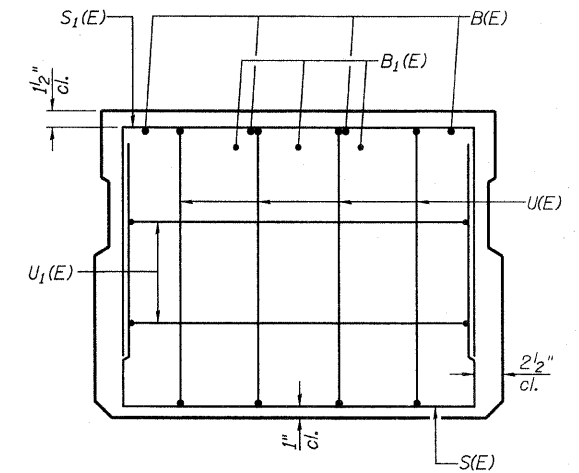


SECTION B-B
(Showing dimensions)



SECTION B-B

(Showing reinforcement and permissible strand locations)
Note: Place the number of strands specified in each row symmetrically about the centerline of beam in the permissible strand locations shown.



VIEW C-C

BAR LIST
ONE BEAM ONLY
(For information only)

Bar	No.	Size	Length	Shape
A(E)	56	#4	2'-7"	—
B(E)	8	#5	31'-4"	—
B ₁ (E)	9	#4	21'-5"	—
S(E)	84	#4	6'-5"	⌋
S ₁ (E)	10	#4	5'-11"	⌋
S ₂ (E)	74	#4	6'-2"	⌋
U(E)	8	#5	4'-6"	⌋
U ₁ (E)	4	#4	5'-0"	⌋

Note: See Sheet 8 of 15 for additional details and Bill of Material.

SPAN 2