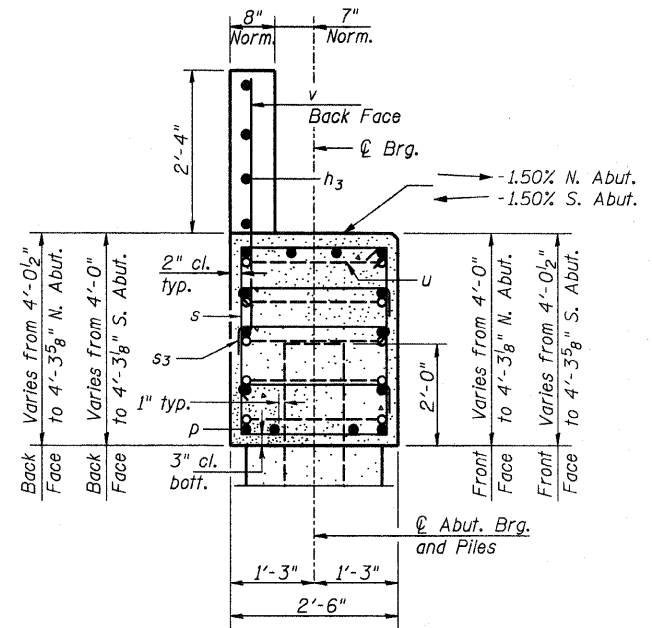
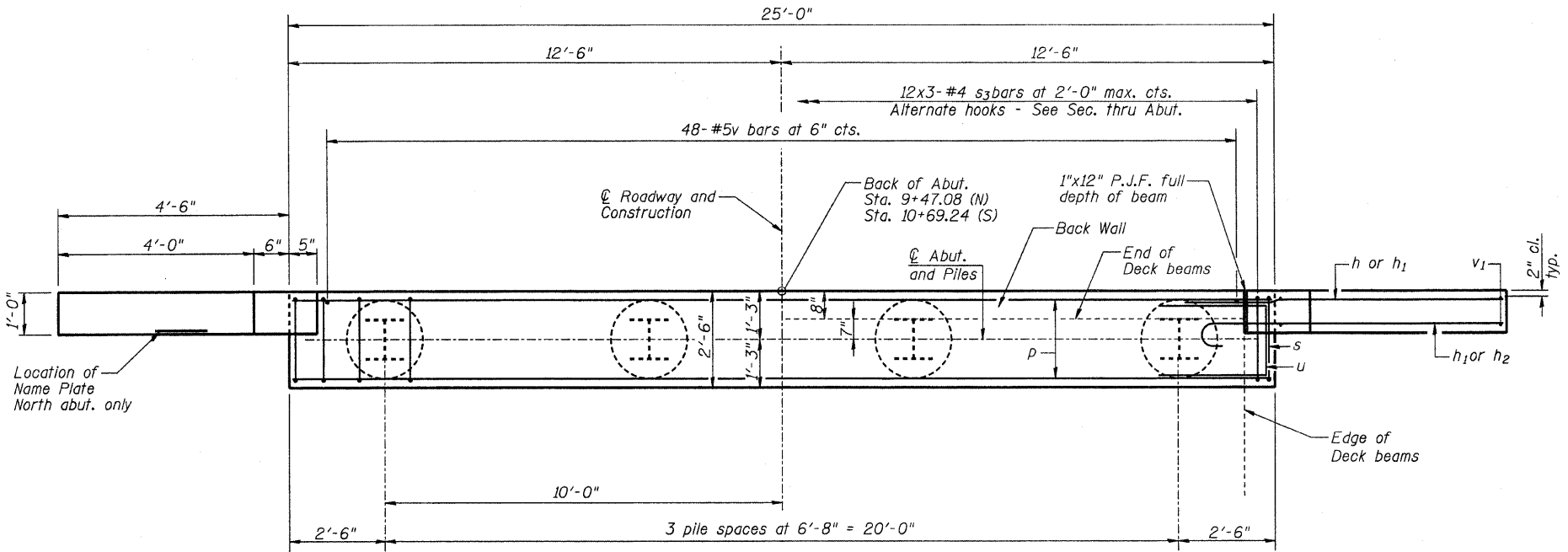


**ELEVATION**  
Elevations shown are at back face of abutment



**SEC. THRU ABUT.**  
(Normal to C)



**PLAN**

**PILE DATA  
NORTH ABUTMENT**

Type: Steel HP12x53  
 Nominal Required Bearing: 395 kips  
 Factored Resistance Available: 217 kips  
 Estimated Length: 47'/pile  
 No. Production Piles: 4  
 No. Test Piles: 0

**PILE DATA  
SOUTH ABUTMENT**

Type: Steel HP12x53  
 Nominal Required Bearing: 418 kips  
 Factored Resistance Available: 230 kips  
 Estimated Length: 46'/pile  
 No. Production Piles w/ Pile Shoes: 4  
 No. Test Piles w/ Pile Shoes: 0

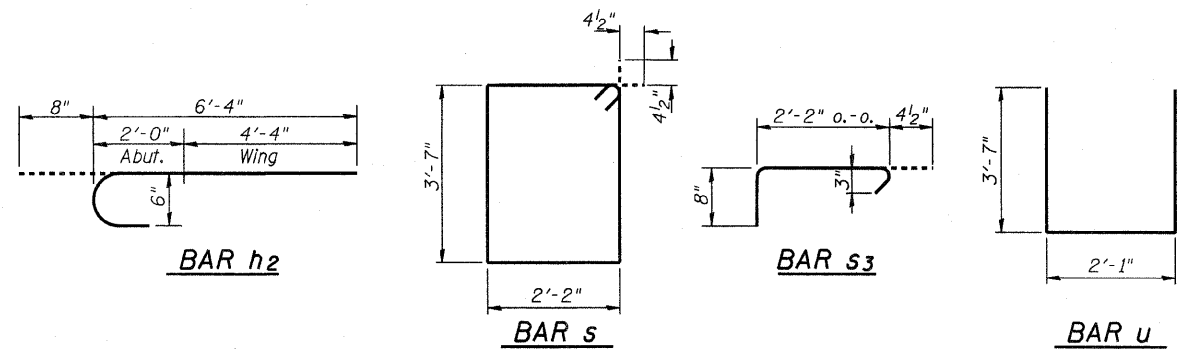
**GENERAL NOTES**

All exposed edges shall have standard 3/4" chamfer, unless otherwise noted.  
 Reinforcement bars shall conform to ASTM A 706 (IL Modified), Grade 60.  
 All clearances between rebar and form surface shall be 2", unless otherwise noted.  
 Space reinforcement in cap to miss PPCDB dowel rods.  
 The Steel H-piles shall be according to AASHTO M270 Grade 50.  
 The Contractor is hereby advised that very stiff soils may be encountered prior to the location of anticipated nominal required bearing. See the soil borings for further information.  
 The position of the 90° & 135° hooked ends of the s3 bar shall be alternated between adjacent bars as shown, both vertical and horizontally.

**BILL OF MATERIAL  
FOR ONE ABUTMENT**

Bar	No.	Size	Length	Shape
h	16	#6	8'-0"	—
h1	16	#6	4'-9"	—
h2	16	#6	7'-0"	—
h3	4	#5	23'-8"	—
p	14	#7	24'-8"	—
s	27	#4	12'-3"	□
s3	36	#4	3'-3"	┌
u	10	#6	9'-3"	—
v	48	#5	4'-3"	—
v1	24	#5	6'-0"	CUT IN FIELD
Concrete Structures		Cu. Yd.	12.5	
Concrete Encasement		Cu. Yd.	1.4	
Reinforcement Bars		Pound	2080	
Furnishing Steel		Foot	S. Abut. 184	
Piles, HP12x53		N. Abut.	188	
Driving Piles		Foot	S. Abut. 184	
		N. Abut.	188	
Pile Shoes		Each	S. Abut. 4	
		N. Abut.	0	

For details of piles and Concrete Encasement, see Sheet 12 of 15.



**RHUTASEL and ASSOCIATES, INC.**  
 CONSULTING ENGINEERS • LAND SURVEYORS  
 CENTRALIA, ILLINOIS  
 ILLINOIS DESIGN FIRM LICENSE NO. 184-000287

DESIGNED - BLT	REVISED -
DRAWN - JN	REVISED -
CHECKED - WDL	REVISED -
DATE - 04/06/2012	REVISED -

**STATE OF ILLINOIS  
DEPARTMENT OF TRANSPORTATION**

**ABUTMENT DETAILS  
STRUCTURE NO. 026-3455**

ROUTE	SECTION	COUNTY	TOTAL SHEETS	SHEET NO.
TR 429	10-18121-00-BR	FAYETTE	15	10
CONTRACT NO. 95677				
RAAT JOB NO. 90911		ILLINOIS FED. AID PROJECT		