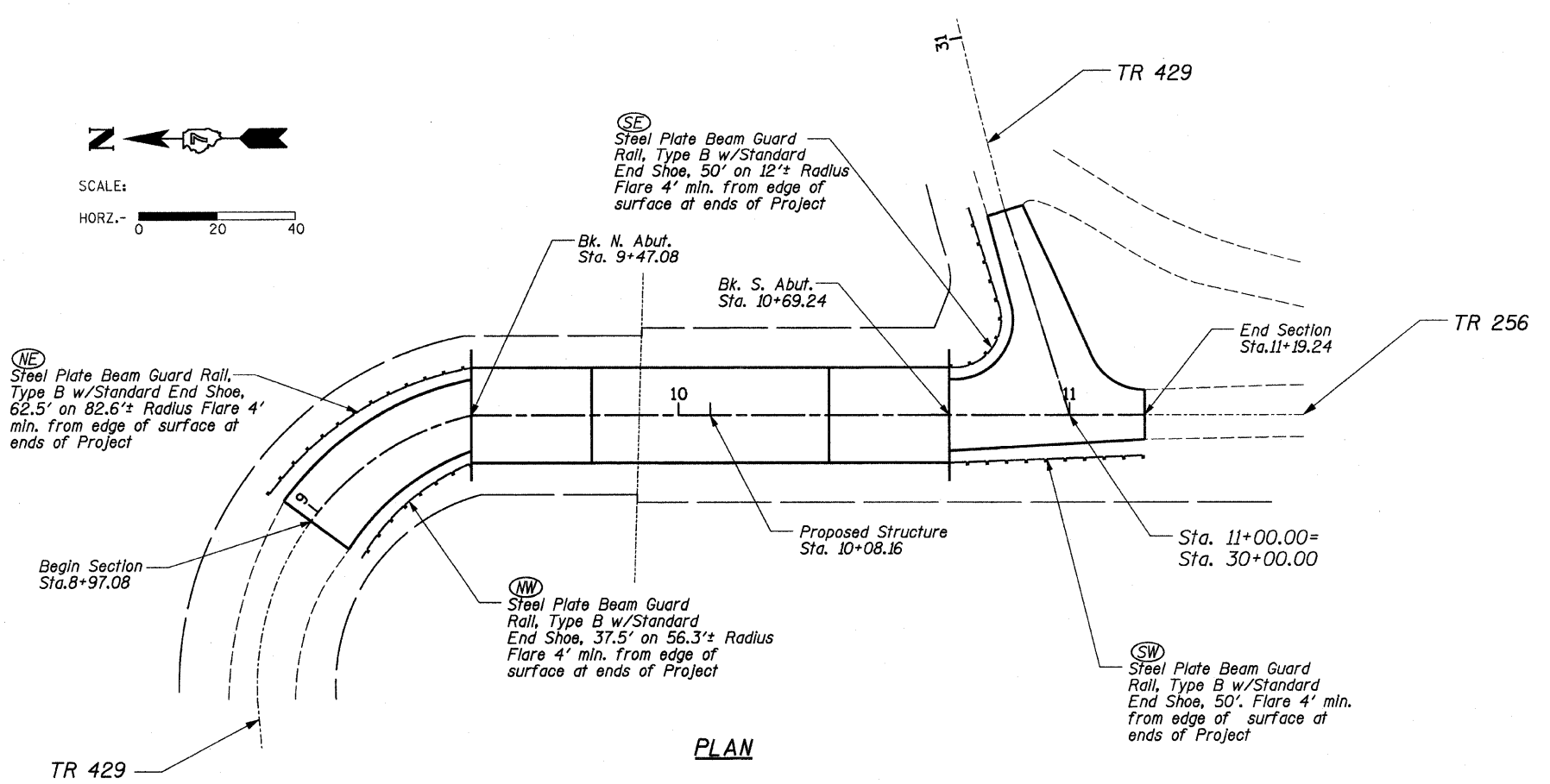




SCALE:  
HORZ. - 0 20 40

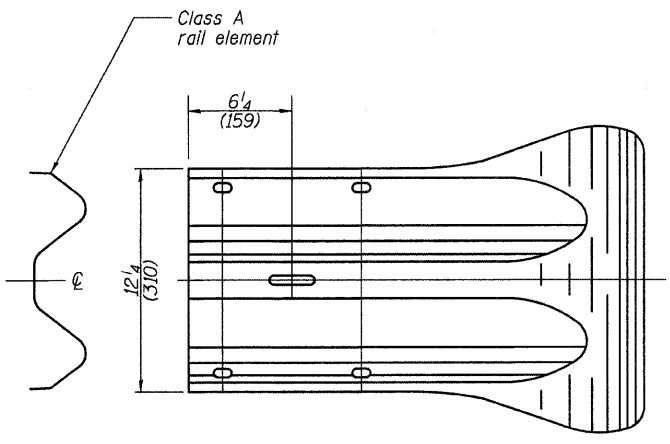
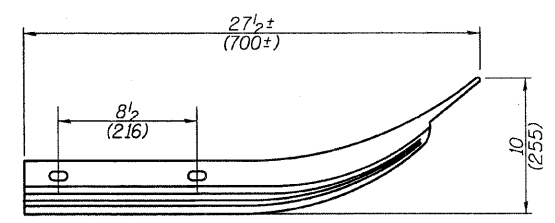


**BILL OF MATERIAL**

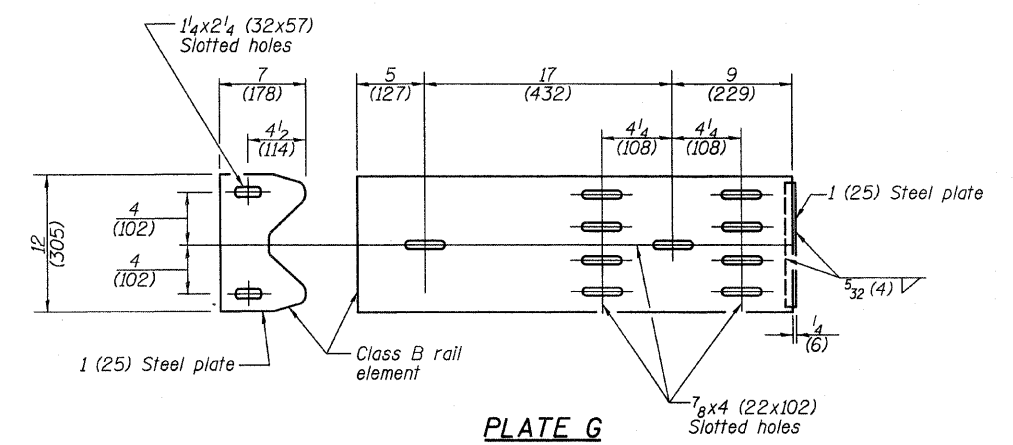
ITEM	QUADRANT	QUANTITY (FOOT)
SPBGR	NW	37.5
SPBGR	NE	62.5
SPBGR	SW	50.0
SPBGR	SE	50.0
	Total	200.0

Cost of End Shoes shall be included in the unit price for Steel Plate Beam Guardrail, Type B, 9 Foot Posts and no additional compensation will be allowed.

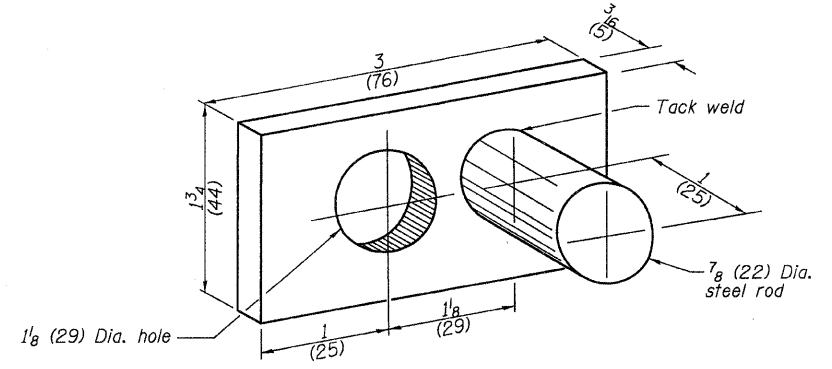
**PLAN**



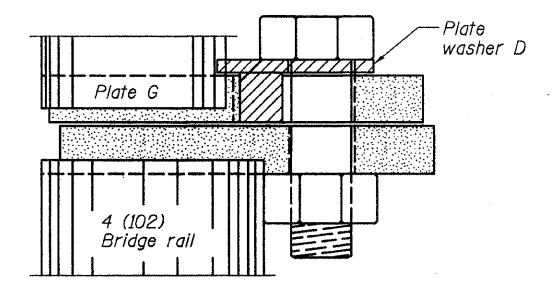
**END SHOE**



**PLATE G**



**PLATE WASHER D**



**PLACEMENT OF PLATE WASHER D (PLAN)**

**RHUTASEL and ASSOCIATES, INC.**  
CONSULTING ENGINEERS • LAND SURVEYORS  
CENTRALIA, ILLINOIS      FREEBURG, ILLINOIS  
ILLINOIS DESIGN FIRM LICENSE NO. 184-000287

DESIGNED - GLH	REVISED -
DRAWN - JN	REVISED -
CHECKED - GLH	REVISED -
DATE - 04/06/2012	REVISED -

**STATE OF ILLINOIS**  
**DEPARTMENT OF TRANSPORTATION**

**APPROACH RAIL LAYOUT**  
**STRUCTURE NO. 026-3455**

ROUTE	SECTION	COUNTY	TOTAL SHEETS	SHEET NO.
TR 429	10-18121-00-BR	FAYETTE	15	13
RAAI JOB NO. 50811			ILLINOIS FED. AID PROJECT	
CONTRACT NO. 95677				