

DIAPHRAGM ELEVATION AT ABUTMENT

Notes:

Reinforcement bars in diaphragm are billed with superstructure on sheet 7 of 22.

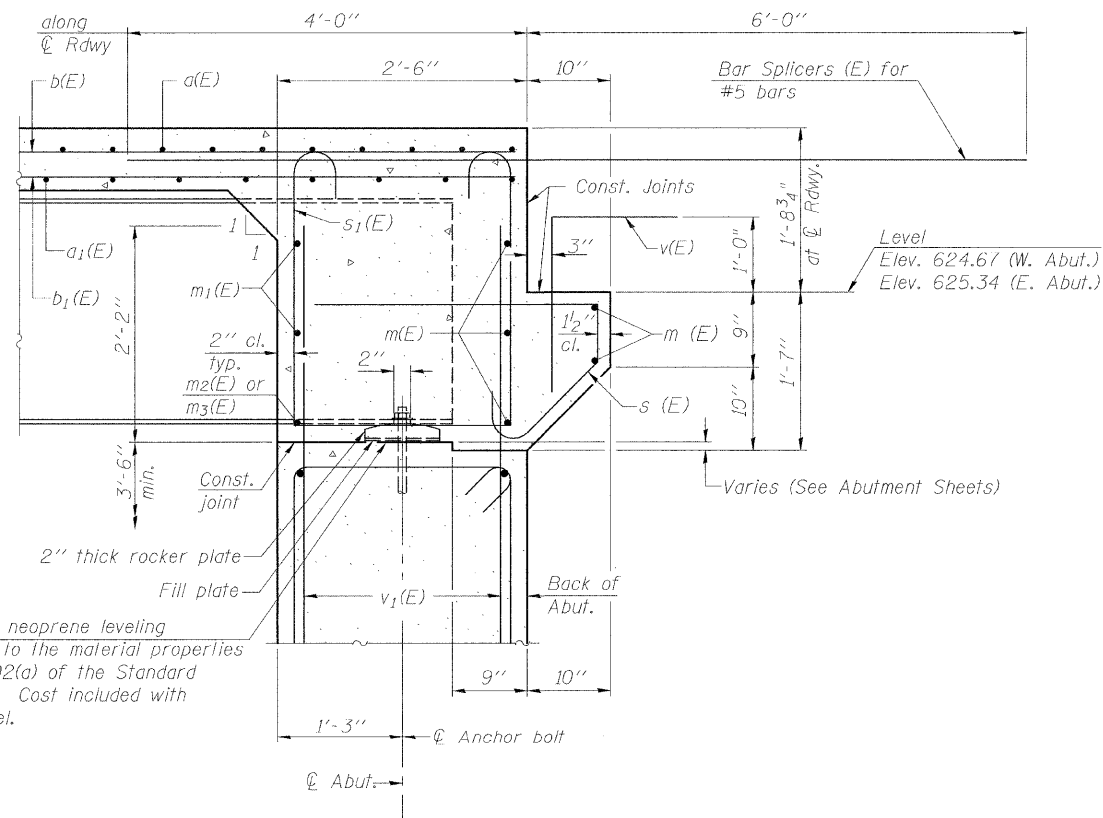
Concrete in diaphragm is included with Concrete Superstructure on sheet 7 of 22.

For details of bars s(E) & s<sub>1</sub>(E) see sheet 7 of 22.

The s(E) and s<sub>1</sub>(E) bars shall be placed parallel to the beams. Spacing for these bars shall be at right angles to the beams.

MIN. BAR LAP

#6 bar = 3'-4"



SECTION A-A

**URS**

345 EAST ASH AVENUE, SUITE B  
 DECATUR, ILLINOIS 62526  
 PH. 217-875-4800

FILE NAME =	USER NAME = Brian K. Nicholson	DESIGNED - MJP	REVISD -	<b>STATE OF ILLINOIS DEPARTMENT OF TRANSPORTATION</b>	<b>INTEGRAL ABUTMENT DIAPHRAGM DETAILS STRUCTURE NO. 058-6026</b>	F.A.U. RTE. 7398	SECTION 09-00905-00-BR	COUNTY MACON	TOTAL SHEETS 63	SHEET NO. 58
PLOT SCALE =	DRAWN - BKN	REVISD -	CONTRACT NO. 95687							
PLOT DATE =	CHECKED - KWB	REVISD -	ILLINOIS FED. AID PROJECT							
SHEET NO. 8 OF 22 SHEETS										