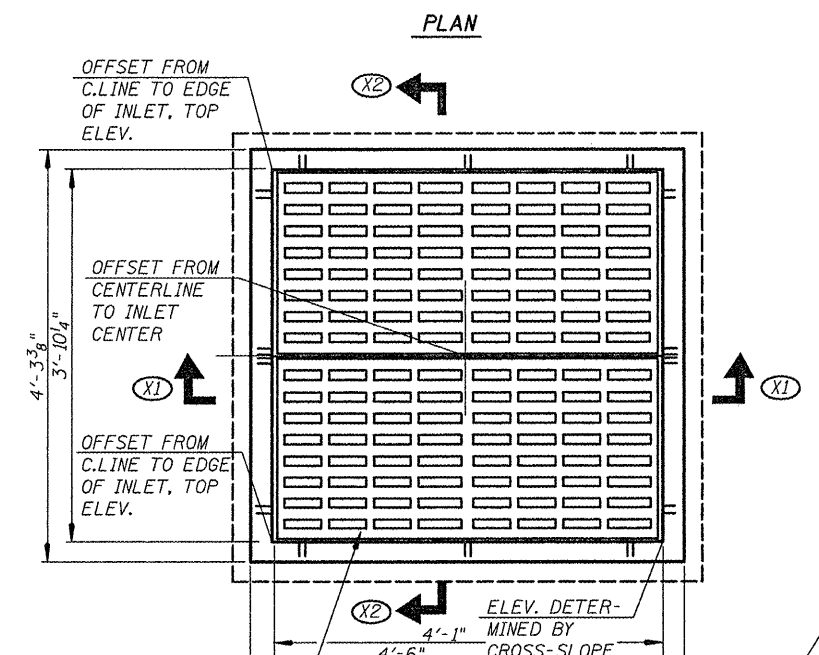


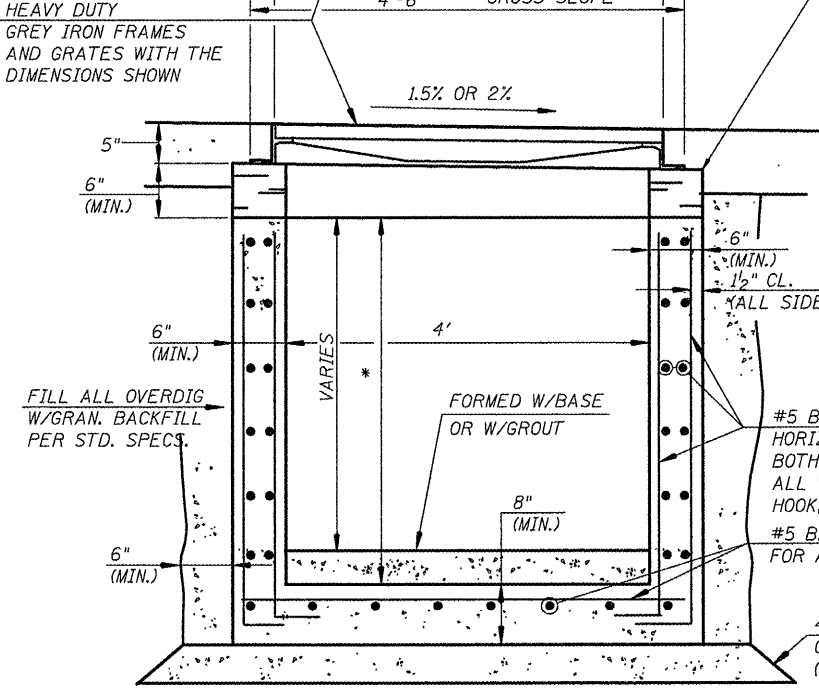
PIPE DRAINS 8" & PIPE DRAINS (SPECIAL) 8" DETAILS
 PIPE RISERS ARE PAID FOR AS PIPE DRAINS (SPECIAL)



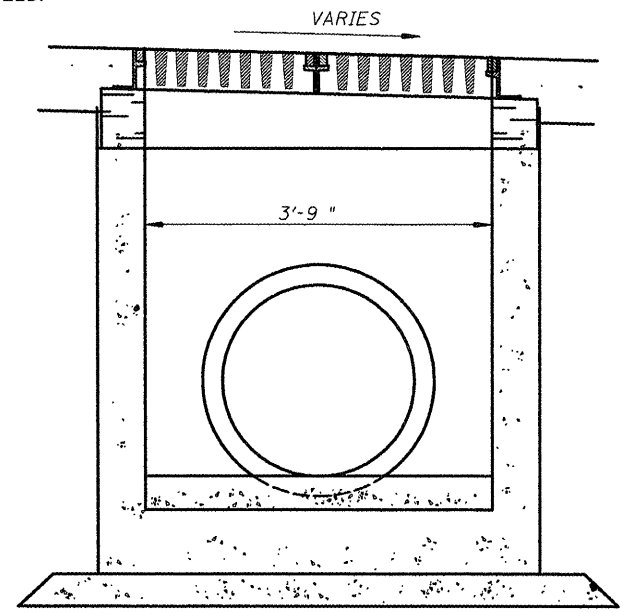
DETAILS FOR INLETS, SPECIAL NO. 3

*CONTRACTOR HAS OPTION TO CAST ALL INLET STRUCTURES AT CONSTANT DEPTH TO FACILITATE FABRICATION.

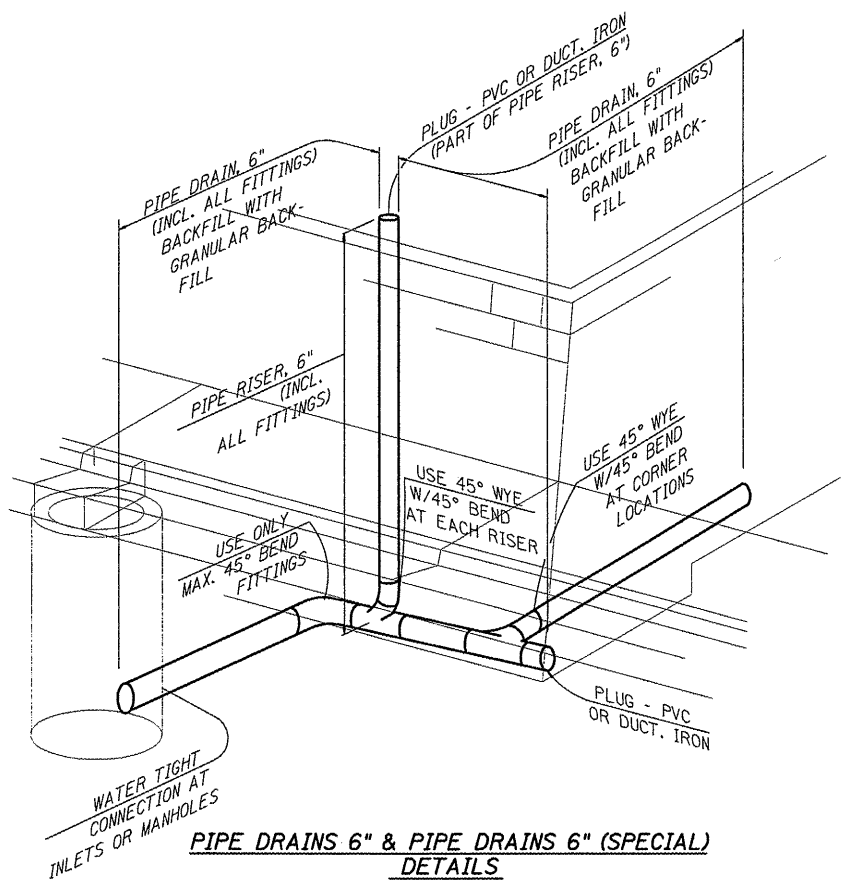
PLAN ELEVATIONS BASED ON UTILIZATION OF A MAXIMUM OF 6" AT THE TOP THAT CAN BE CONC. BRICK OR GROUT. CONTRACTOR WILL NOT RECEIVE ADDITIONAL COMPENSATION FOR NECESSARY FINAL ADJUSTMENTS AUTHORIZED IN THE FIELD.



SECTION (X1) (X1)
 (SHOWING REINF.)



SECTION (X2) (X2)
 (REINF. OMITTED)



PIPE DRAINS 6" & PIPE DRAINS 6" (SPECIAL) DETAILS
 PIPE RISERS ARE PAID FOR AS PIPE DRAINS (SPECIAL)

| | | | |
|---------------------------------------|---------------------------------------|------------------------------|-----------|
| FILE NAME = 6185-ssdetails2.dgn | USER NAME = .USERDESCR. | DESIGNED - HMG: CRW & EDW | REVISED - |
| H:\6185\Water\op\ss\Phase1\VCADD-ROAD | H:\6185\Water\op\ss\Phase1\VCADD-ROAD | DRAWN - HMG: CRW, EDW, & KOJ | REVISED - |
| PLOT SCALE = 1/8" = 1' / N. | | CHECKED - HMG: CRW | REVISED - |
| PLOT DATE = 3/28/2012 | | DATE - | REVISED - |

STATE OF ILLINOIS
DEPARTMENT OF TRANSPORTATION

STORM SEWER
DETAILS

SCALE: SHEET NO. OF SHEETS STA. TO STA.

| F.A. RTE. | SECTION | COUNTY | TOTAL SHEETS | SHEET NO. |
|---|----------------|--------|--------------------|-----------|
| 9315 | 06-00032-03-PV | MONROE | 93 | 40 |
| FED. ROAD DIST. NO. ILLINOIS FED. AID PROJECT | | | CONTRACT NO. 97488 | |

HMG ENGINEERS, INC., 1075 LAKE ROAD, PO BOX 70, CARLYLE, IL 62231 PHONE (618) 594-3711 WWW.HMGENGINEERS.COM