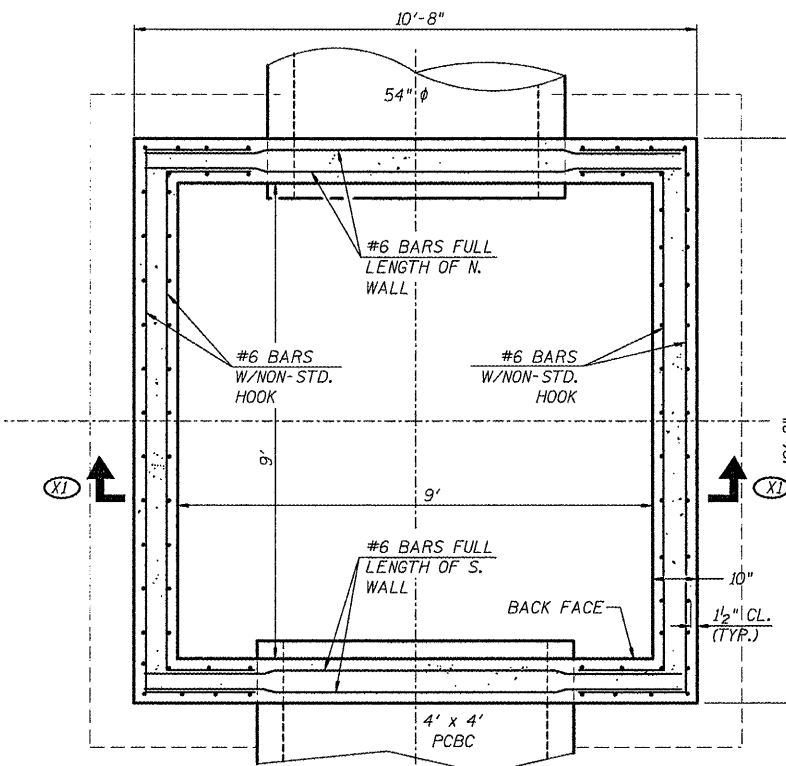
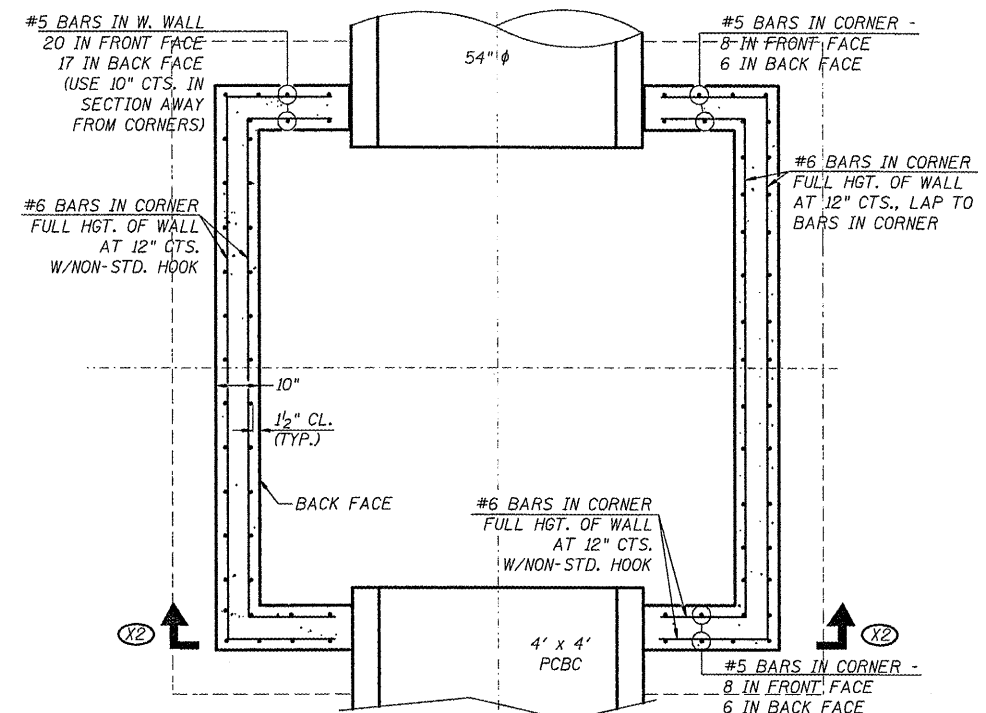


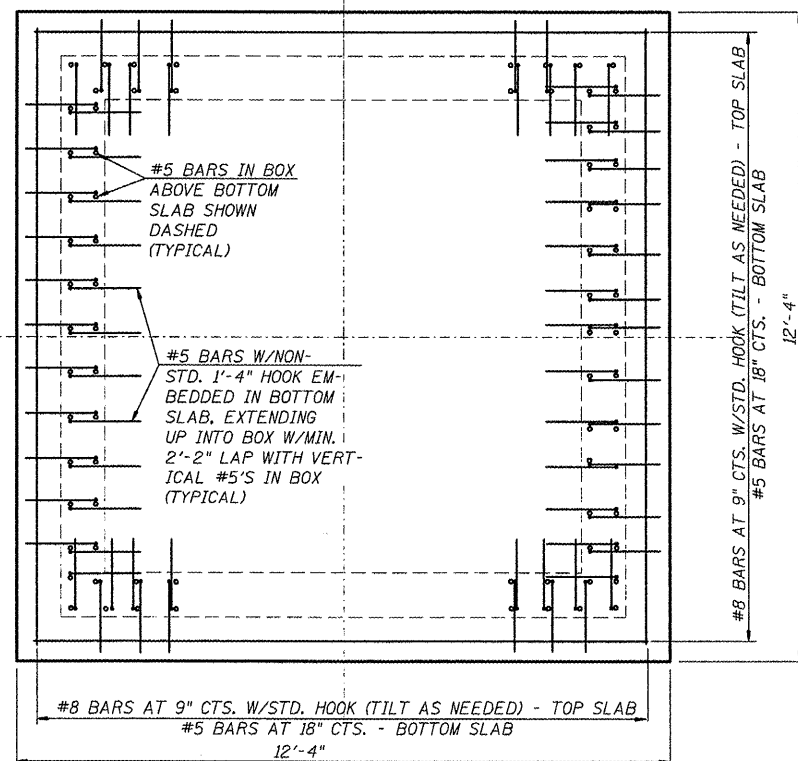
PLAN - TOP SLAB



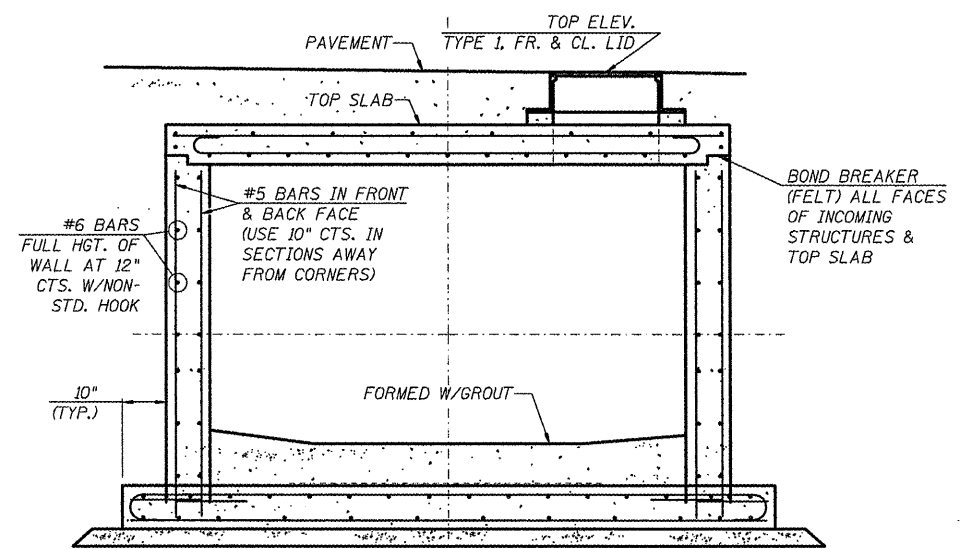
PLAN - TOP PORTION OF BOX



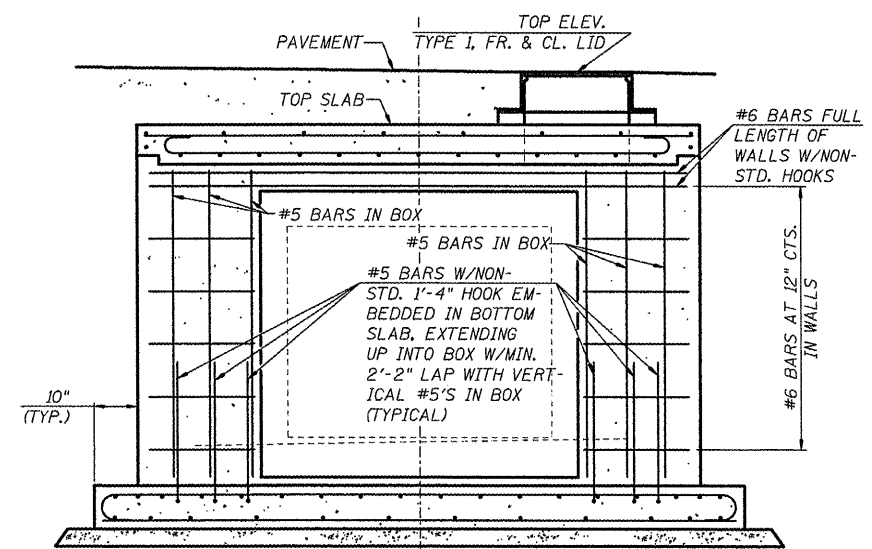
PLAN - MID-PORTION OF BOX



PLAN - BOTTOM SLAB



SECTION XI XI



SECTION X2 X2

DETAILS OF JUNCTION BOX (TJBR-1)

FILE NAME = 6185-ssdetails3.dgn
 USER NAME = JUSERDESCR
 DRAWN - HMG: CRW, EDW, & KOJ
 CHECKED - HMG: CRW
 DATE -

DESIGNED - HMG: CRW & EDW
 REVISIONS -
 REVISIONS -
 REVISIONS -
 REVISIONS -

STATE OF ILLINOIS
 DEPARTMENT OF TRANSPORTATION

STORM SEWER
 DETAILS

SCALE: SHEET NO. OF SHEETS STA. TO STA.

F.A. RTE. 9315	SECTION 06-00032-03-PV	COUNTY MONROE	TOTAL SHEETS 93	SHEET NO. 41
CONTRACT NO. 97488				

HMG ENGINEERS, INC., 1075 LAKE ROAD, PO BOX 70, CARLYLE, IL 62231 PHONE (618) 594-9711 WWW.HMGENGINEERS.COM