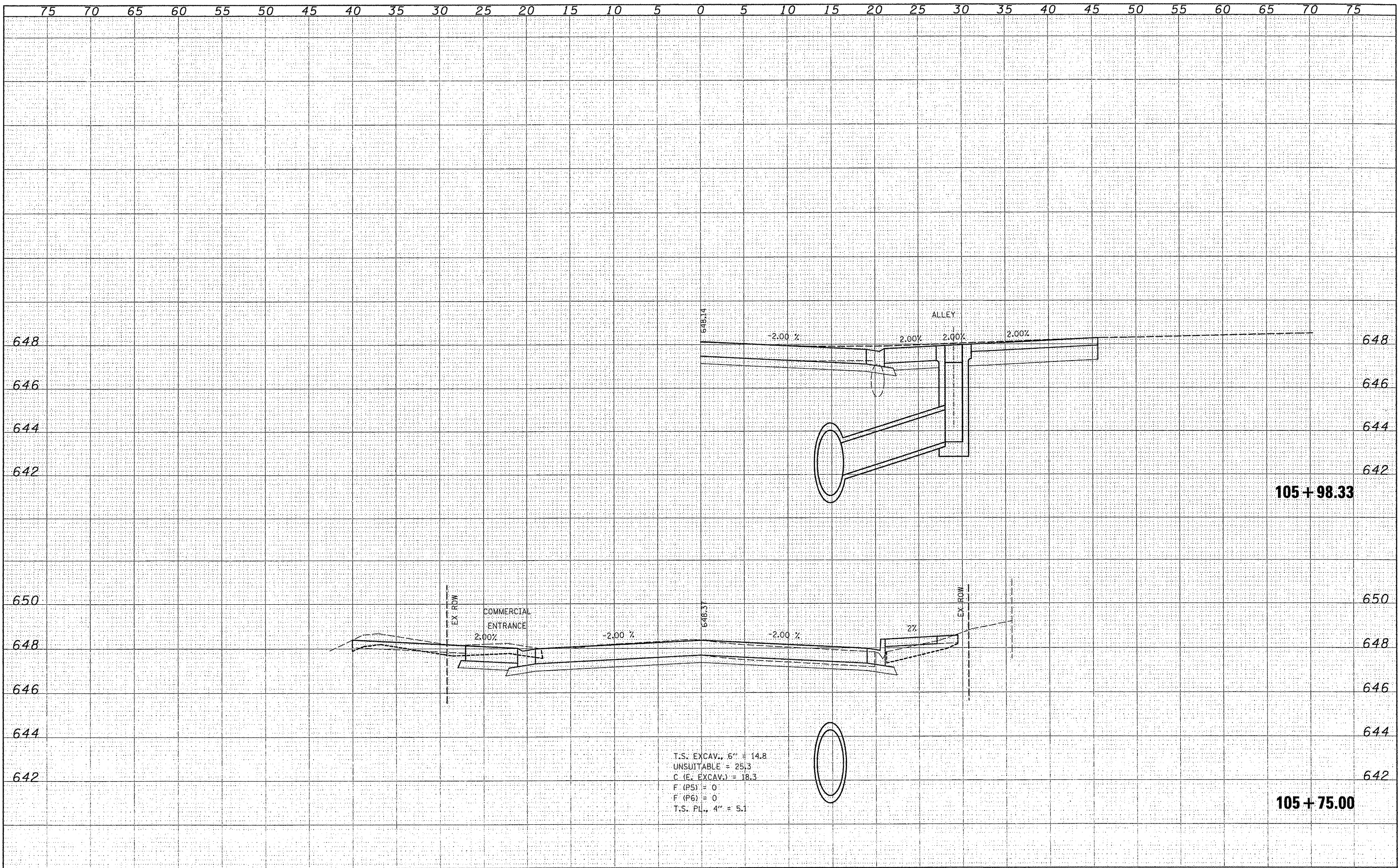


DATE	
BY	
FINISHED	
PLOTTED	
NOTE BOOK	
AREAS CHECKED	

DATE	
BY	
ORIGINAL	
SHIRTY	
NOTE BOOK	
AREAS CHECKED	



T.S. EXCAV., 6" = 14.8
 UNSUITABLE = 25.3
 C (E. EXCAV.) = 18.3
 F (P5) = 0
 F (P6) = 0
 T.S. PL., 4" = 5.1