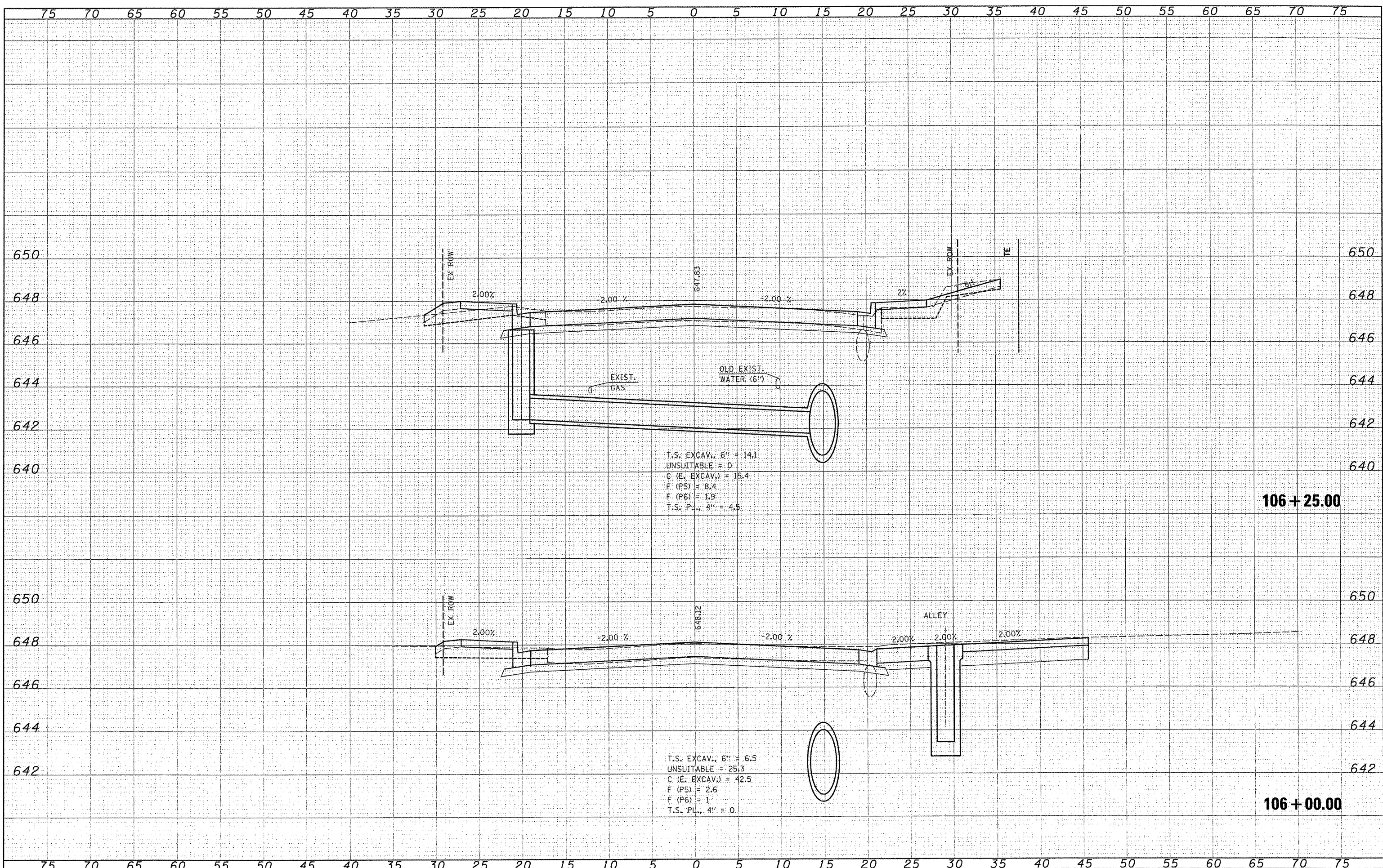


DATE	
BY	
REVISIONS	
NO.	
DATE	
BY	
REVISIONS	
NO.	
DATE	
BY	
REVISIONS	
NO.	
DATE	
BY	
REVISIONS	
NO.	

DATE	
BY	
REVISIONS	
NO.	
DATE	
BY	
REVISIONS	
NO.	
DATE	
BY	
REVISIONS	
NO.	



T.S. EXCAV., 6" = 14.1
 UNSUITABLE = 0
 C (E. EXCAV.) = 15.4
 F (P5) = 8.4
 F (P6) = 1.9
 T.S. PL., 4" = 4.5

106 + 25.00

T.S. EXCAV., 6" = 6.5
 UNSUITABLE = 25.3
 C (E. EXCAV.) = 42.5
 F (P5) = 2.6
 F (P6) = 1
 T.S. PL., 4" = 0

106 + 00.00

FILE NAME: H:\6185\Water\06\Phase1\1\CAD\ROADWAY\6185-11222-11222.Plot

USER NAME: USERDESCR
 DESIGNED: -
 DRAWN: -
 CHECKED: -
 DATE: -

REVISED: -
 REVISED: -
 REVISED: -
 REVISED: -

PLOT SCALE: 5.2222" / 1"
 PLOT DATE: 3/21/2012

STATE OF ILLINOIS
 DEPARTMENT OF TRANSPORTATION

F.A.U. 9315 (MOORE STREET)

SCALE: SHEET NO. OF SHEETS STA. 106+00.00 TO STA. 106+25.00

F.A.U. RTE.	SECTION	COUNTY	TOTAL SHEETS	SHEET NO.
9315	06-00032-03-PV	MONROE	93	69
FED. ROAD DIST. NO. ILLINOIS FED. AID PROJECT			CONTRACT NO. 97488	