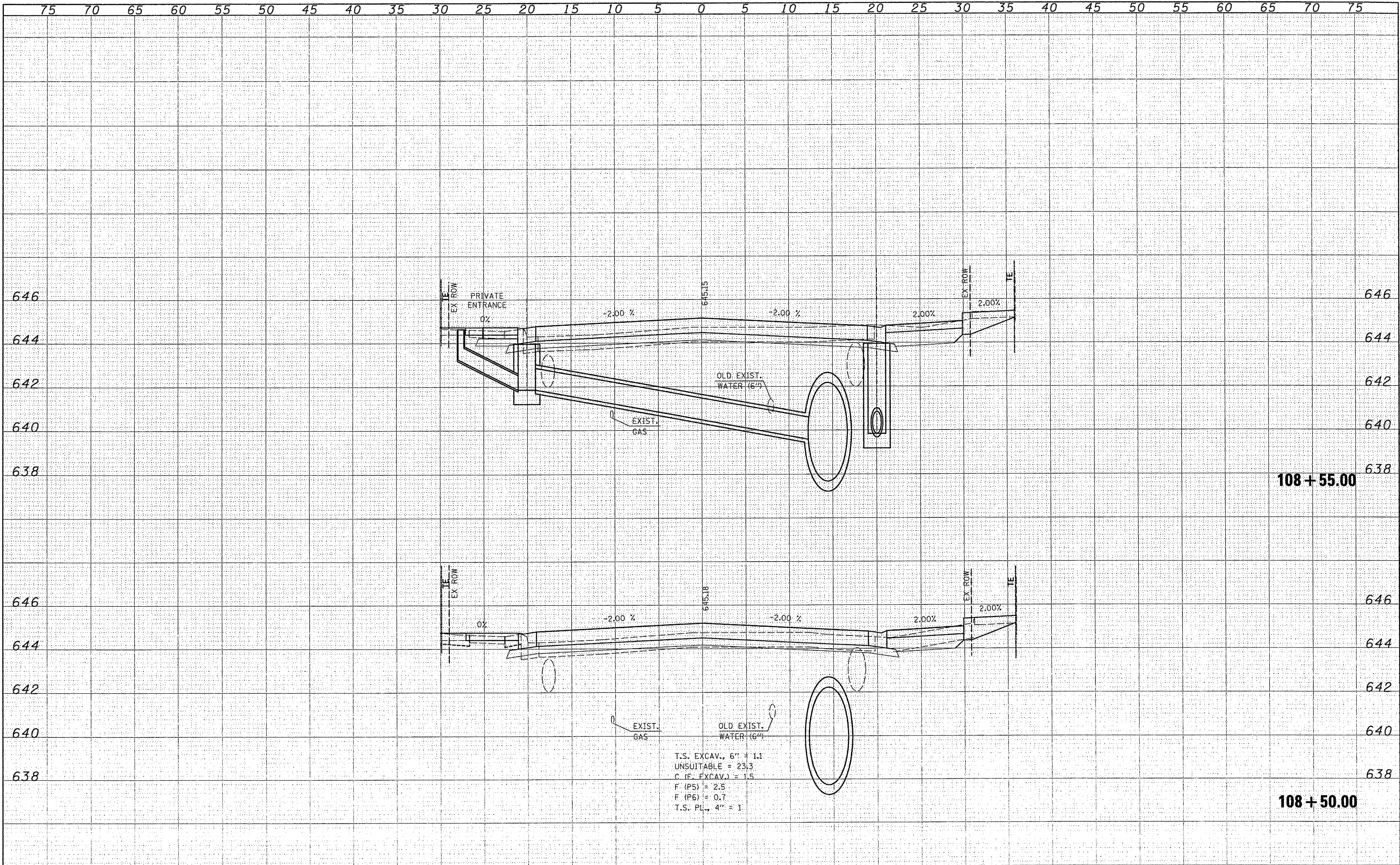


FINAL SURVEY
 SURVEYED PLOTTED
 NOTE BOOK TEMPLATE
 AREAS
 LAYOUT SHEETS

ORIGINAL SURVEY
 SURVEYED PLOTTED
 NOTE BOOK TEMPLATE
 AREAS
 LAYOUT SHEETS



FILE NAME *	USER NAME * USERDESCR.	DESIGNED -	REVISED -	STATE OF ILLINOIS DEPARTMENT OF TRANSPORTATION	F.A.U. 9315 (MOORE STREET)	F.A.U. RTE.	SECTION	COUNTY	TOTAL SHEETS	
*I:\618E\Water\108+50.00-108+55.00-ROADWAY\618E	*xsl:2222-11122.F.dgn	DRAWN -	REVISED -			9315	06-00032-03-PV	MONROE	93	75
PLC SCALE = 5.0000' / IN.	CHECKED -	REVISED -	REVISED -			CONTRACT NO. 97488				
PLOT DATE = 3/21/2012	DATE -	REVISED -	REVISED -			FED. ROAD DIST. NO. ILLINOIS FED. AID PROJECT				