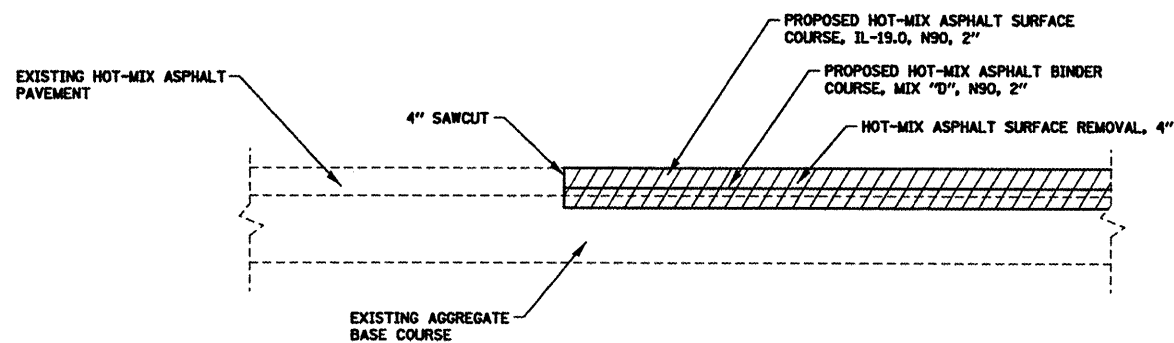


BUTT JOINT DETAIL
N.T.S.



BUTT JOINT DETAIL
N.T.S.

FILE NAME = misc_details.dgn	USER NAME = Jeremy	DESIGNED - SAS	REVISED -
		DRAWN - JJB	REVISED -
	PLOT SCALE = #SCALE#	CHECKED - BFK	REVISED -
	PLOT DATE = 3/13/2012	DATE - 03/13/12	REVISED -

**CITY OF MADISON
13TH STREET, ELIZABETH AVE,
AND McCAMBRIDGE AVE REHABILITATION**

MISCELLANEOUS DETAILS	
SCALE: N.T.S.	SHEET NO. 1 OF 1 SHEETS
STA.	TO STA.

F.A.U. RTE.	SECTION	COUNTY	TOTAL SHEETS	SHEET NO.
9101	09-00057-00-PV	MADISON	58	58
CONTRACT NO. 97489				
ILLINOIS FED. AID PROJECT				