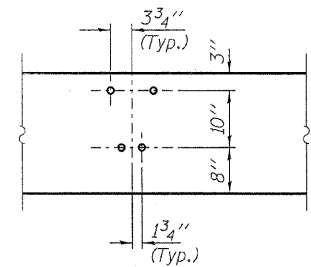
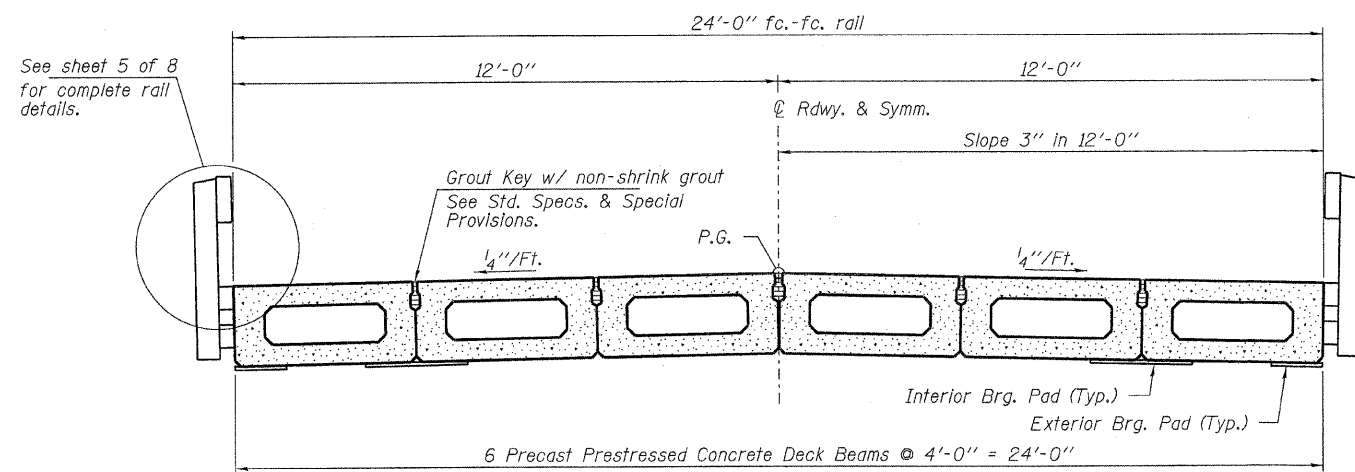


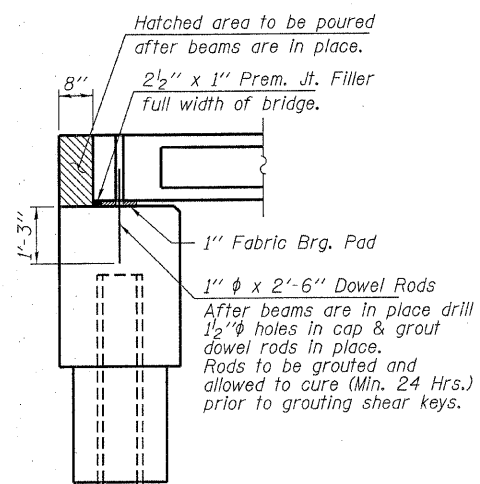
**ELEVATION**  
Showing Rail Post Spaces  
See sheet 5 of 8 for Railing Details.



**DETAIL A**



**CROSS SECTION**  
See sheets 2 & 3 of 8 for Superstructure.



**SECTION AT ABUTMENTS**  
© Rf. L's

FILE NAME = 0920268-shr-bridge.dgn	USER NAME =	DESIGNED - A.S.L.	REVISED -	<b>STATE OF ILLINOIS HAMILTON COUNTY HIGHWAY DEPARTMENT</b>	<b>SUPERSTRUCTURE DETAILS STRUCTURE NO. 033-3311</b>	T.R.	SECTION	COUNTY	TOTAL SHEETS	SHEET NO.
<b>HAMPTON, LENZINI AND RENWICK, INC.</b> 3335 STERNSON DRIVE, SUITE 201 SPRINGFIELD, ILLINOIS 62703	PLOT SCALE =	CHECKED - S.W.M.	REVISED -			107	09-09115-00-BR	HAMILTON	12	8
<b>HLR</b> ILLINOIS PROFESSIONAL DESIGN FIRM 1817 E. ILLINOIS ST. CHICAGO, IL 60619	PLOT DATE = 1/30/2012	DRAWN - D.A.B.	REVISED -			SOUTH CROUCH ROAD DISTRICT		CONTRACT NO. 99465		
		CHECKED - S.W.M.	REVISED -			SHEET NO. 4 OF 8 SHEETS		ILLINOIS FED. AID PROJECT		