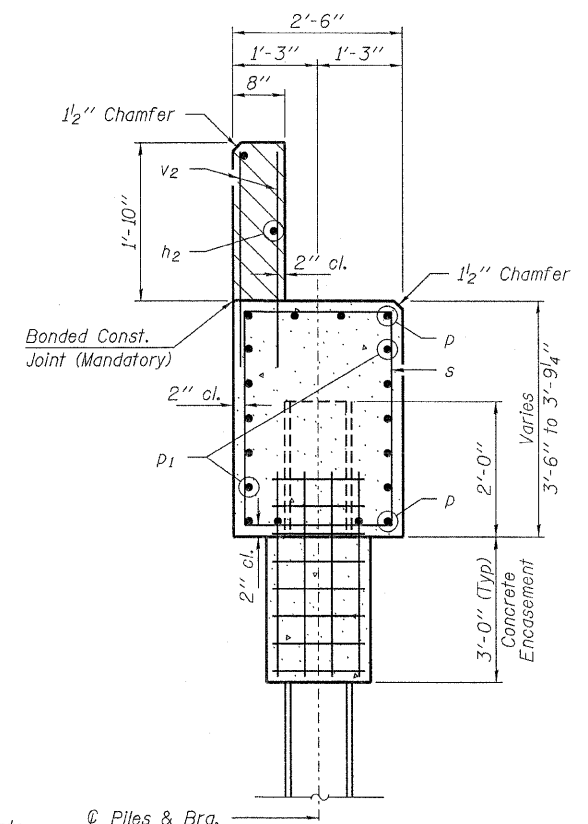
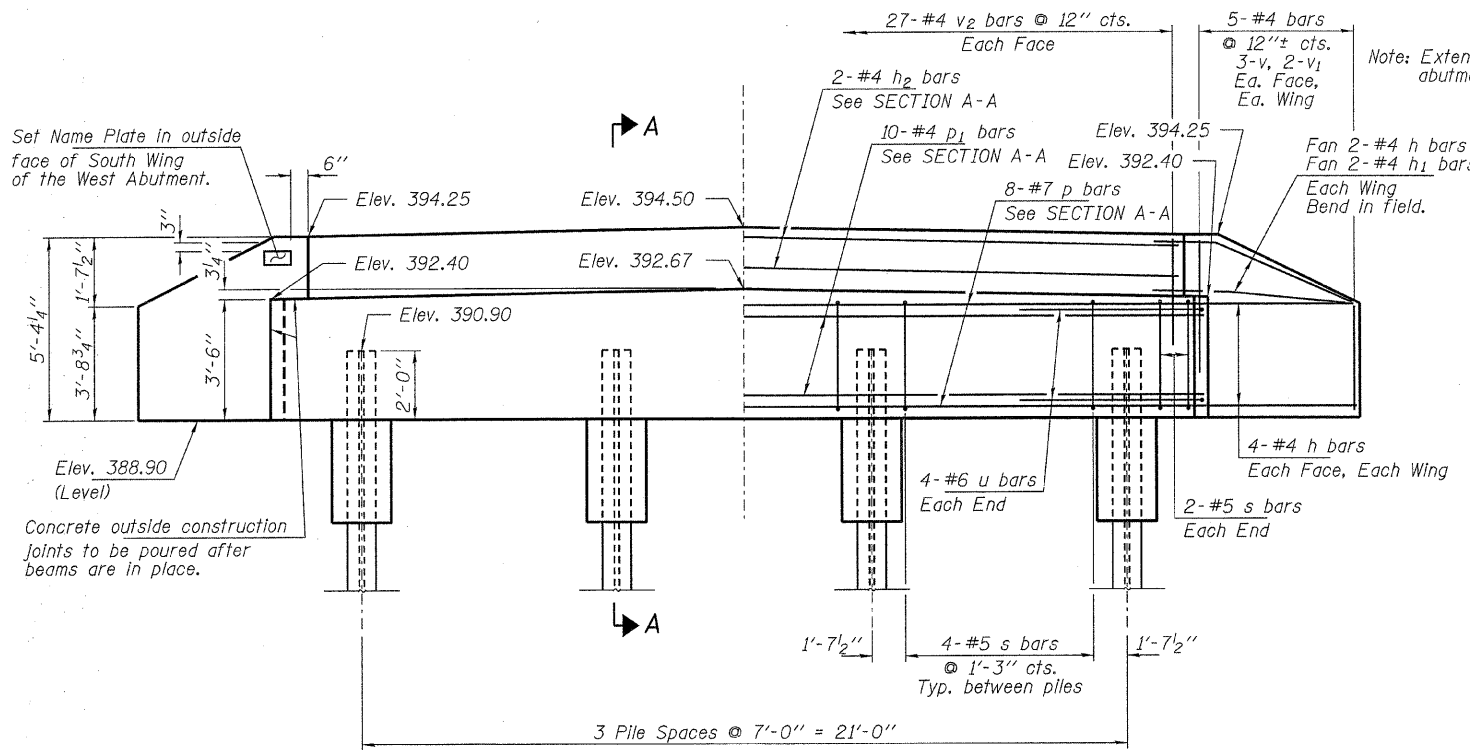
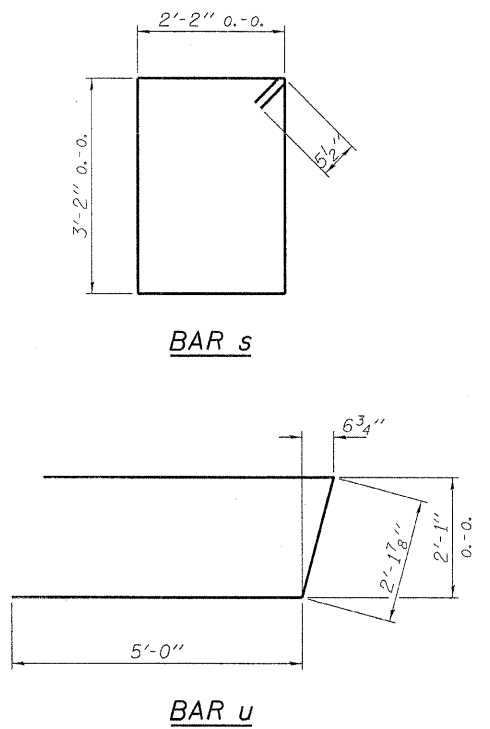


PLAN



SECTION A-A

Hatched area to be poured after beams are in place.



ELEVATION

PILE DATA

Type ----- Steel HP10x42
 No. Req'd. (2 Abutments) ----- 8
 Factored Resistance Available (Rf) ----- 184 Kips/Pile
 Nominal Required Bearing (Rn) ----- 335 Kips/Pile
 Est. Length ----- 30 Ft/Pile

BILL OF MATERIAL - 2 ABUTS.

BAR	NO.	SIZE	LENGTH	SHAPE
h	40	#4	5'-6"	—
h1	8	#4	4'-0"	—
h2	4	#4	26'-1"	—
p	16	#7	26'-1"	—
p1	20	#4	26'-1"	—
s	32	#5	11'-7"	□
u	16	#6	12'-2"	U
v	24	#4	4'-5"	—
v1	16	#4	3'-5"	—
v2	108	#4	2'-8"	—
Concrete Structures			Cu. Yd.	22.8
Concrete Encasement			Cu. Yd.	2.8
Reinforcement Bars			Pound	2,420
Steel Piles HP10x42			Foot	240
Name Plates			Each	1