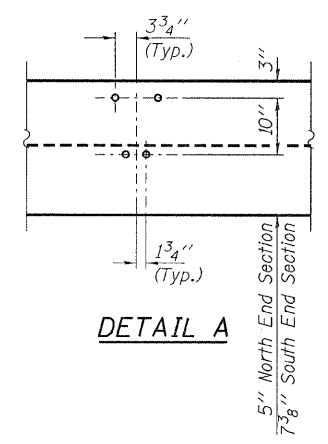
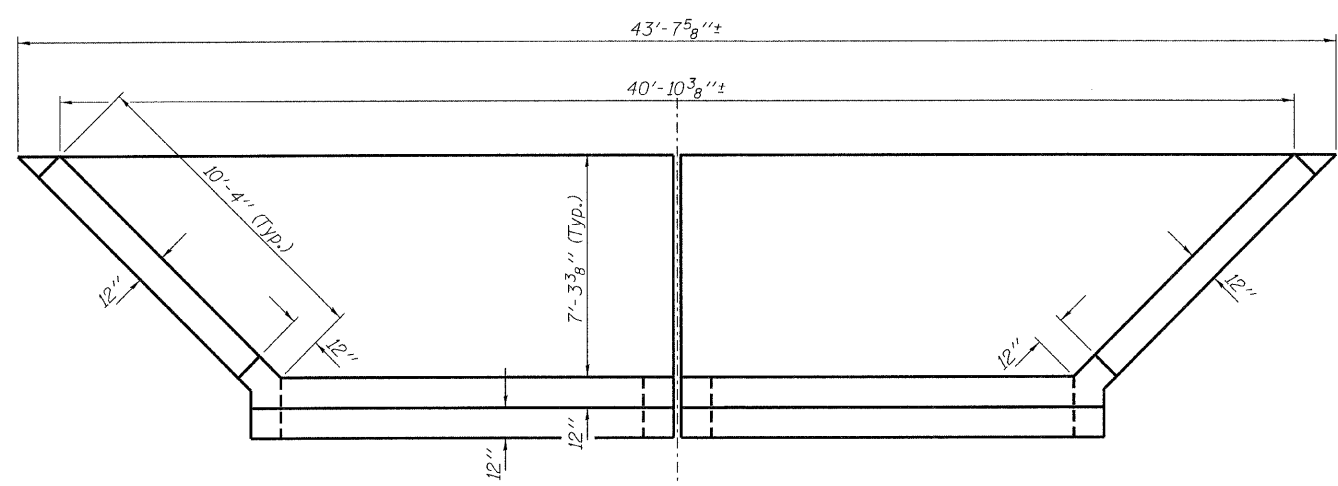


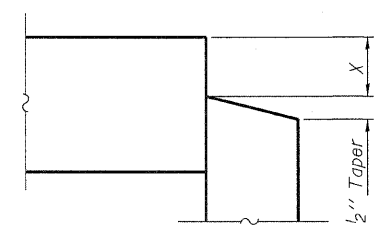
ELEVATION
Showing Rail Post Spaces
See sheet 4 of 4 for Railing Details.



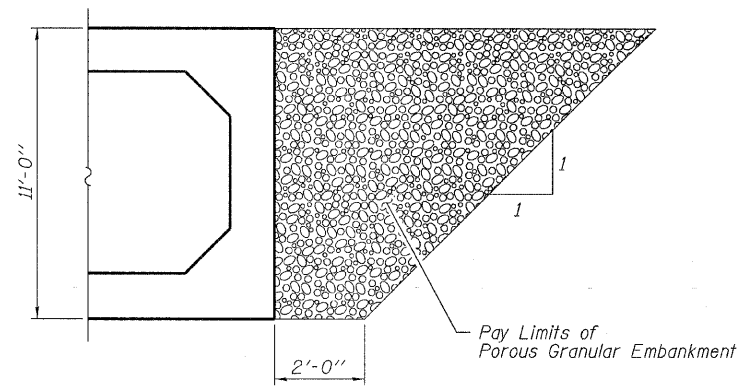
DETAIL A



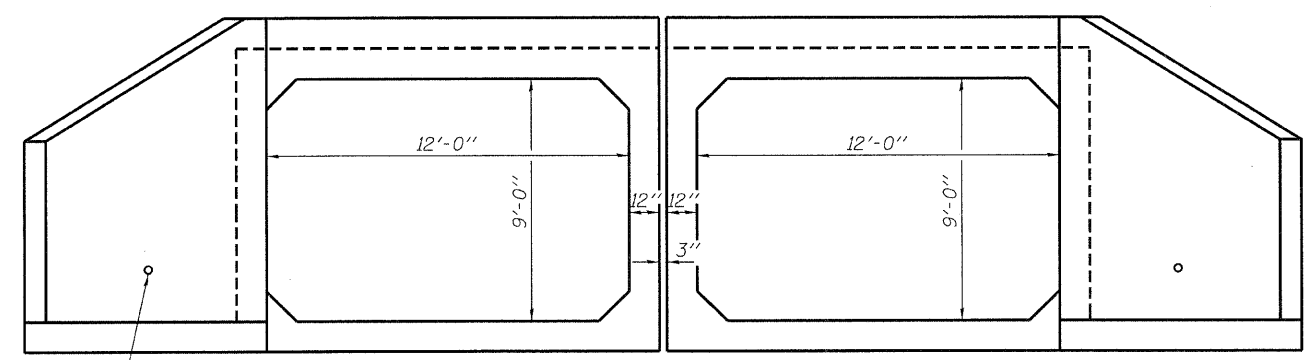
PLAN - END SECTION



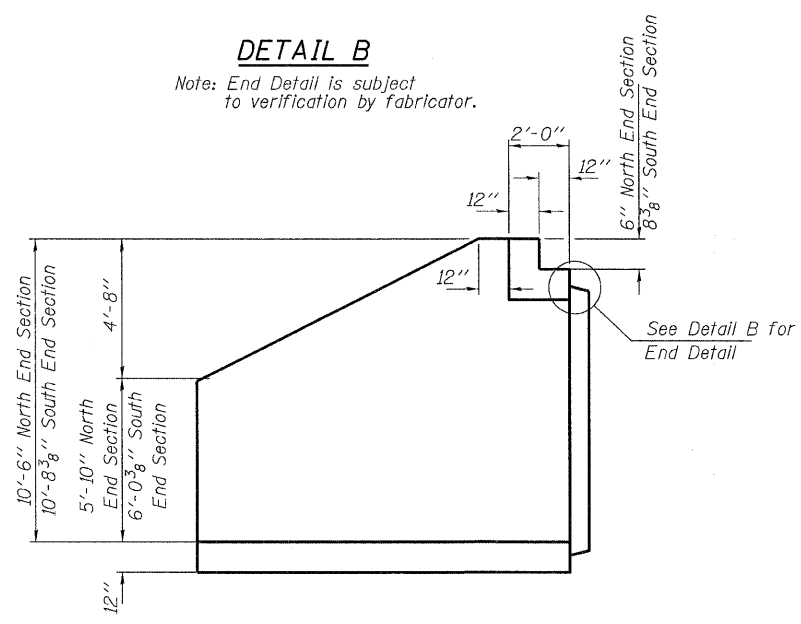
DETAIL B
Note: End Detail is subject to verification by fabricator.



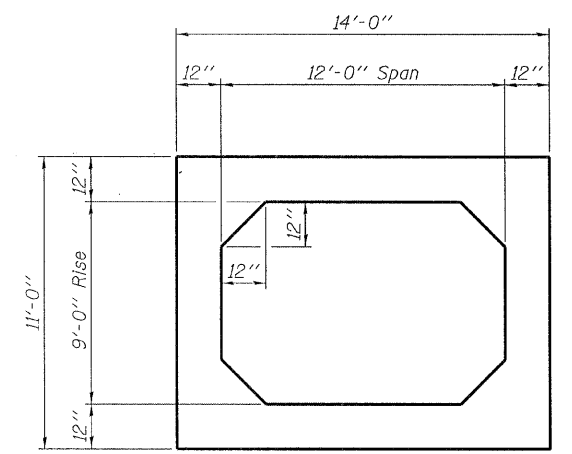
POROUS GRANULAR EMBANKMENT DETAIL



ELEVATION - END SECTION



CROSS SECTION - END SECTION



SECTION THRU PRECAST BOX

FILE NAME = 110266-shr-culvert.dgn	USER NAME =	DESIGNED - A.S.L.	REVISED -	STATE OF ILLINOIS JEFFERSON COUNTY HIGHWAY DEPARTMENT	CULVERT PLAN DETAILS STRUCTURE NO. 041-5077	T.R.	SECTION	COUNTY	TOTAL SHEETS	SHEET NO.	
HAMPTON, LENZINI AND RENWICK, INC. 3889 STEVENSON DRIVE, SUITE 201 SPRINGFIELD, ILLINOIS 62769	PLOT SCALE =	CHECKED - S.W.M.	REVISED -			91	09-06122-00-BR	JEFFERSON	37	23	
HLR ILLINOIS PROFESSIONAL DESIGN FIRM LS / PE / SE CORP. 184.000959	PLOT DATE = 2/28/2012	DRAWN - D.A.B.	REVISED -			FARRINGTON ROAD DISTRICT	CONTRACT NO. 99471				
		CHECKED - S.W.M.	REVISED -			ILLINOIS FED. AID PROJECT BROS-00810631					
						SHEET NO. 2 OF 4 SHEETS					